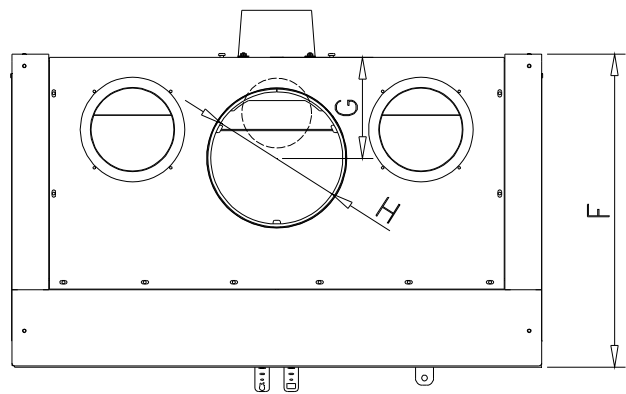
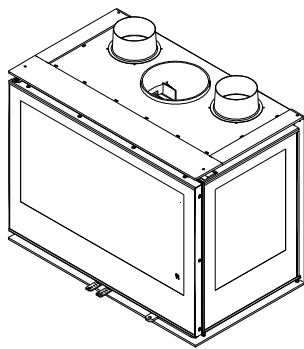
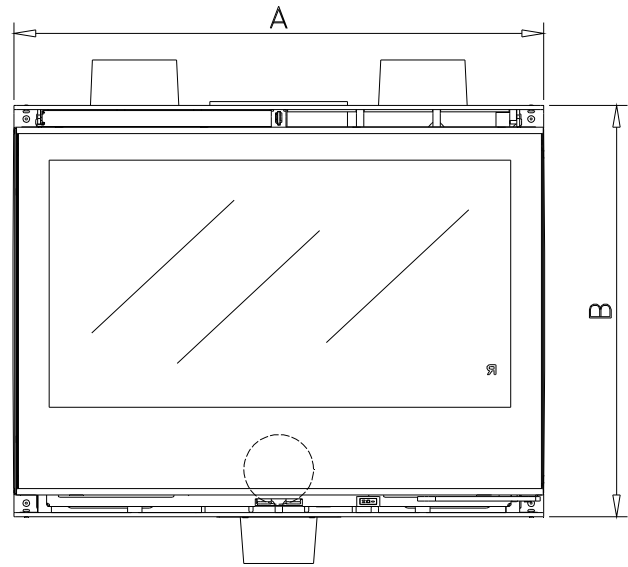
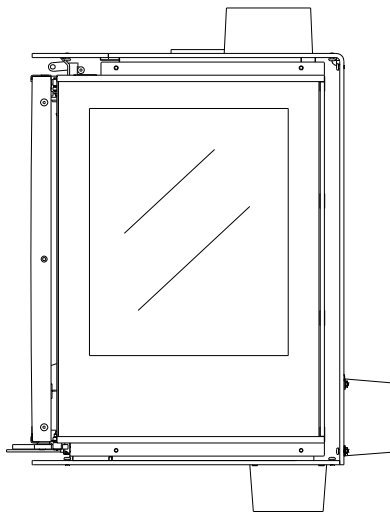


ANEXO/ANNEX/ANNEXE/ANESSO

I



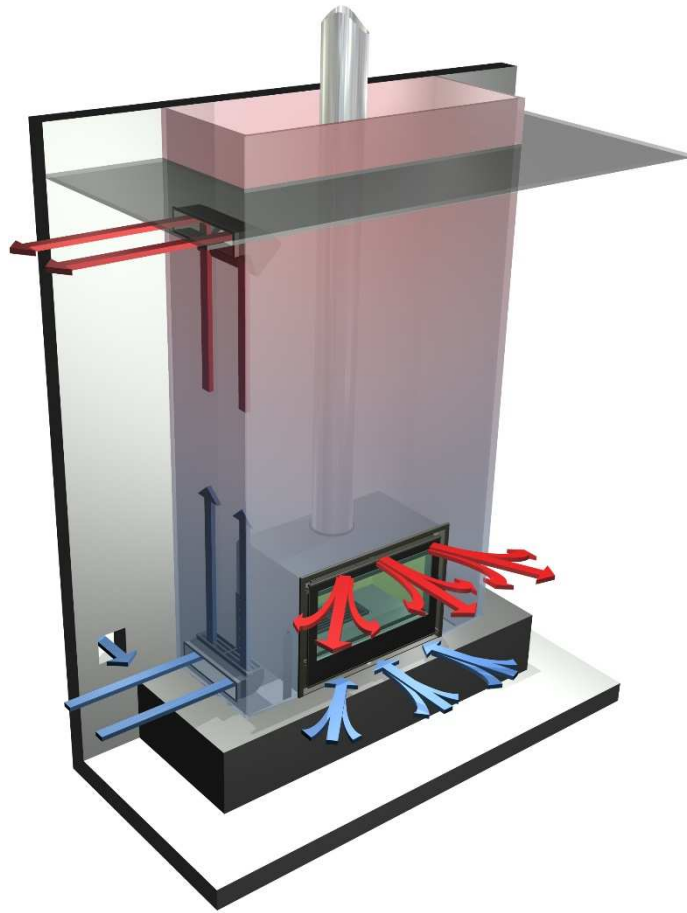
mm	ARc 73 TC	ARc 93 TC
A	730	930
B	567	592
F	430	430
G	143	143
H	180	180

II

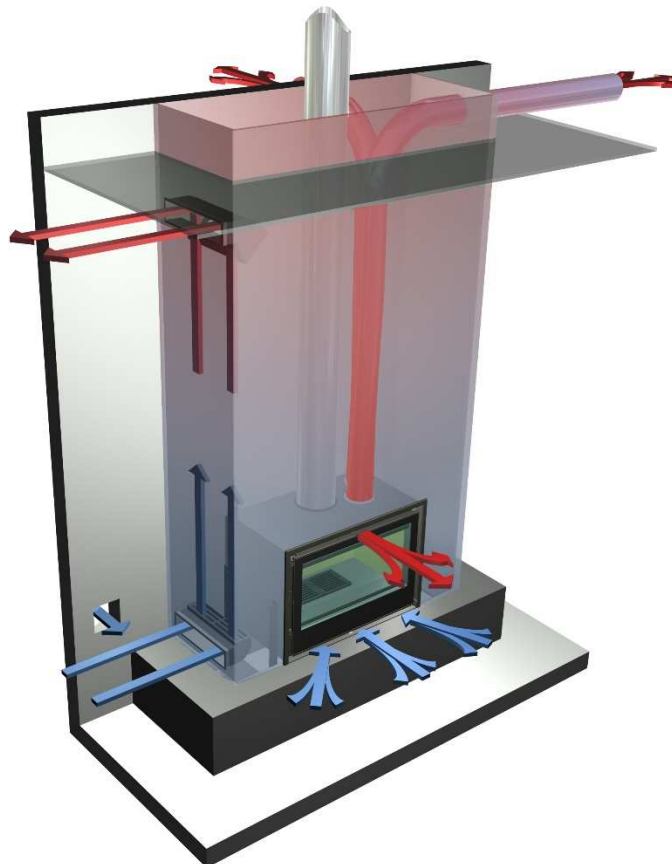


III

1)

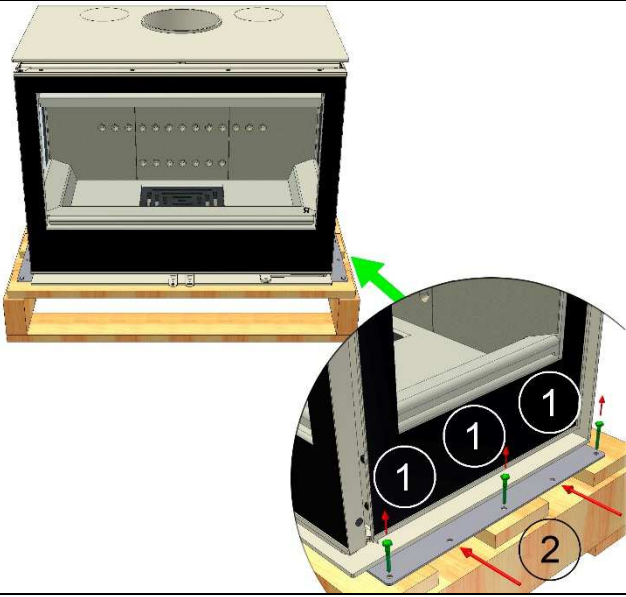


2)

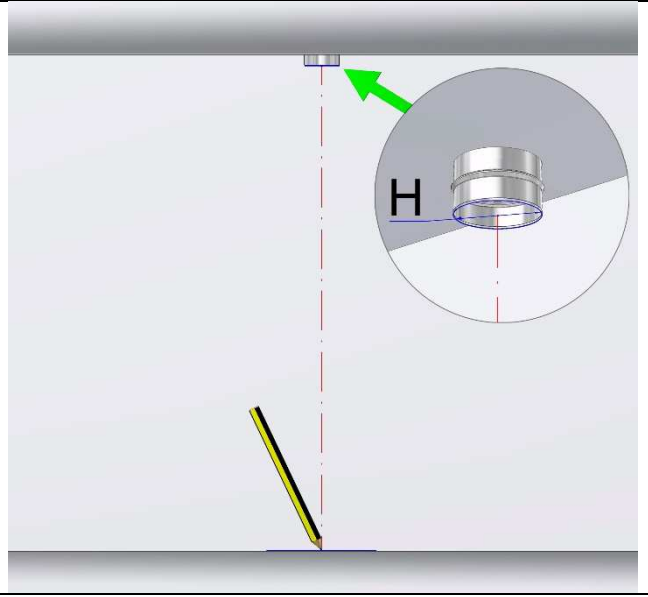


III

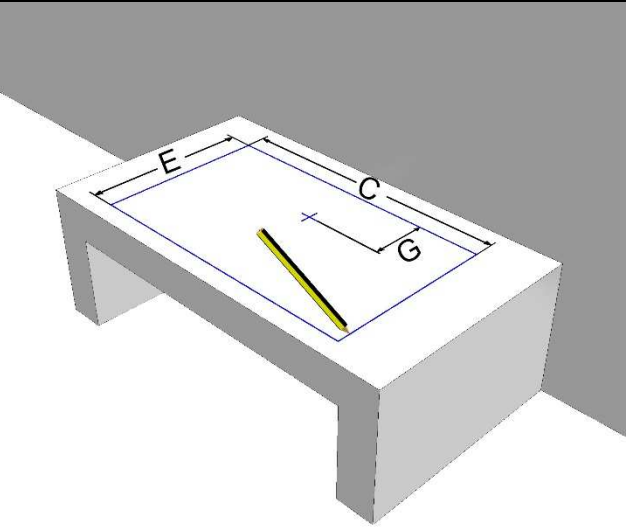
1



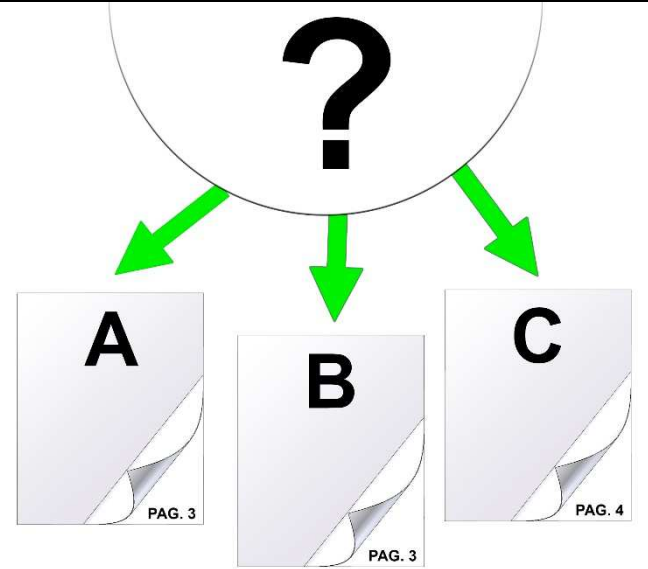
2



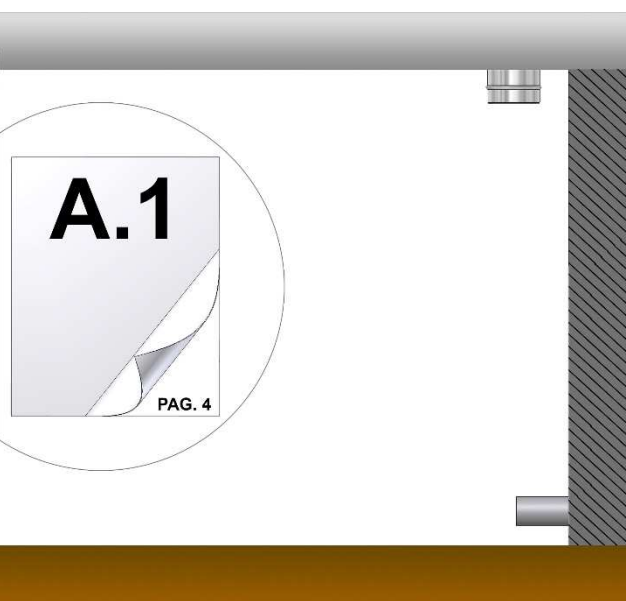
3



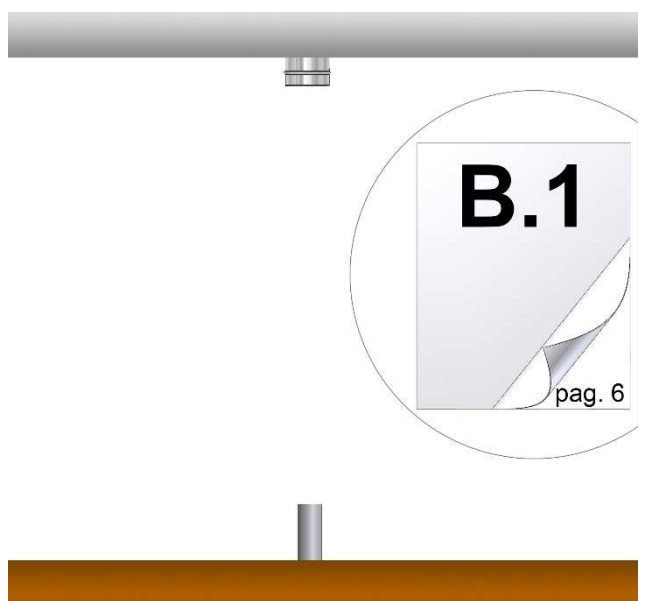
4



A

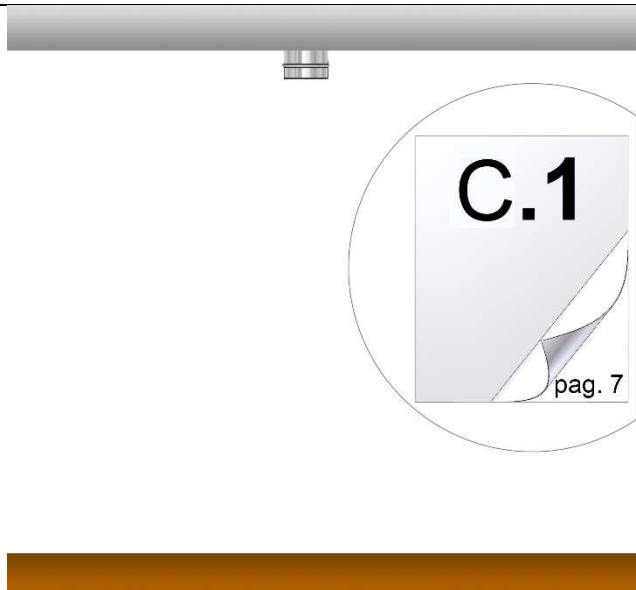


B

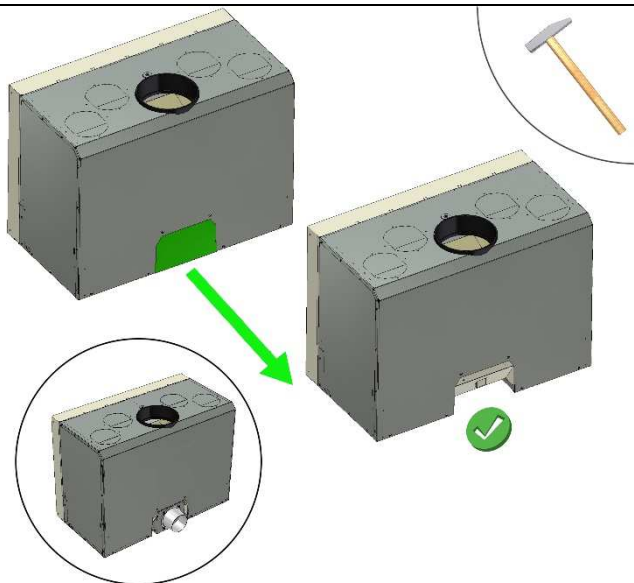


III

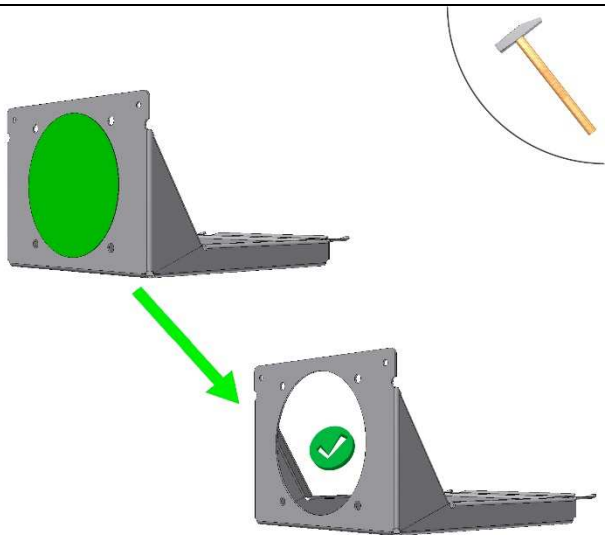
C



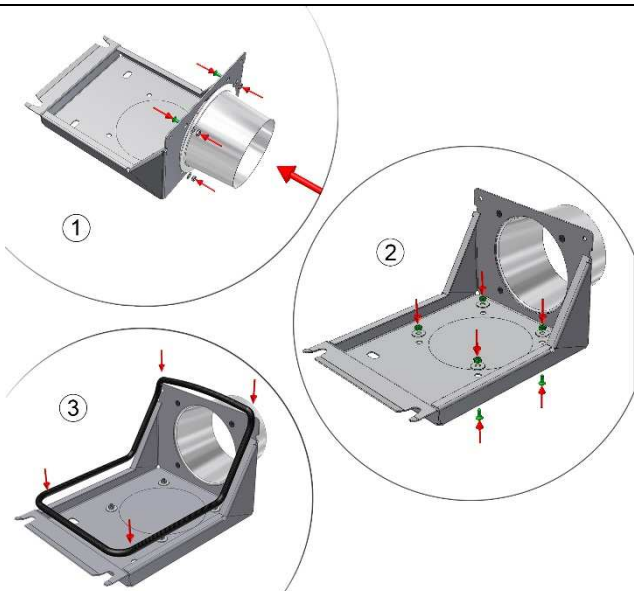
A.1



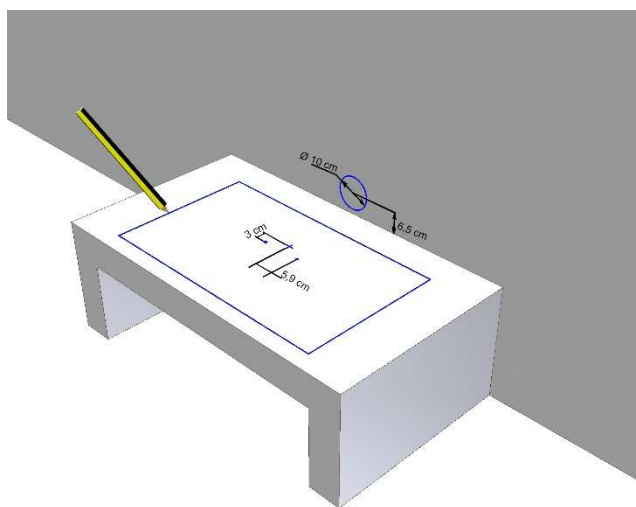
A.2



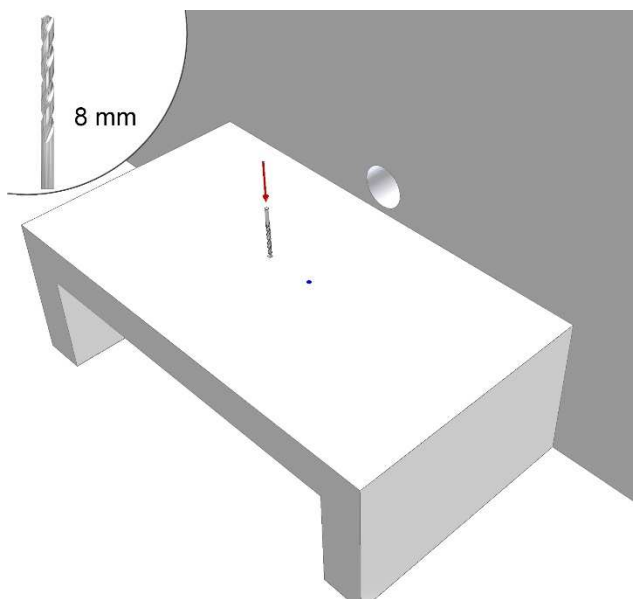
A.3



A.4

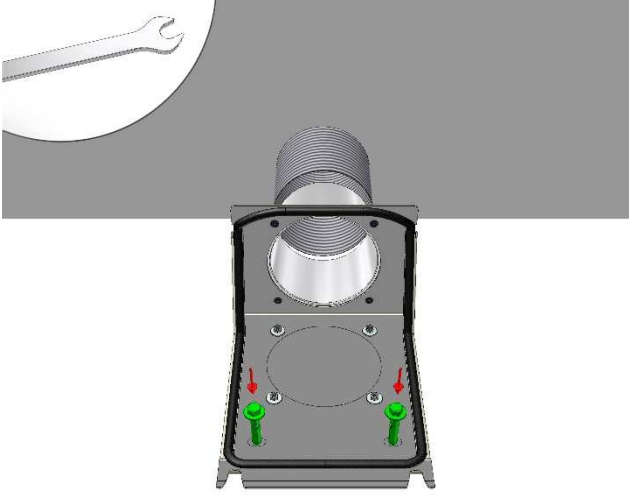


A.5

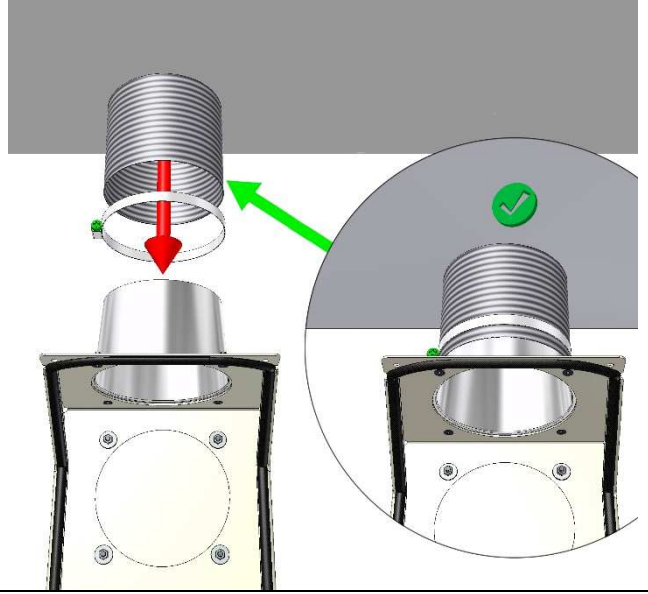


III

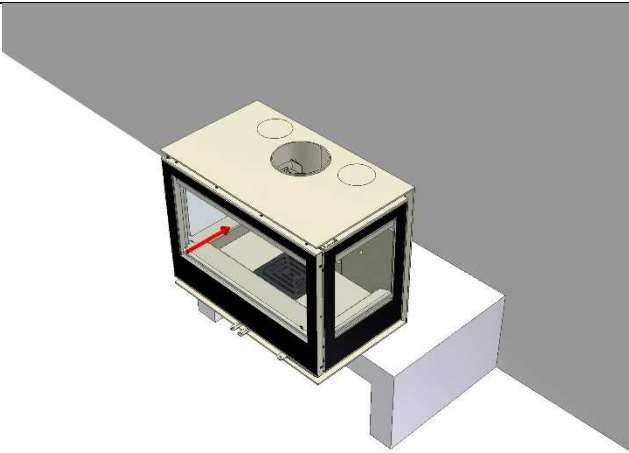
A.6



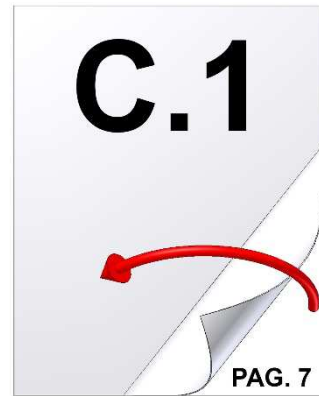
A.7



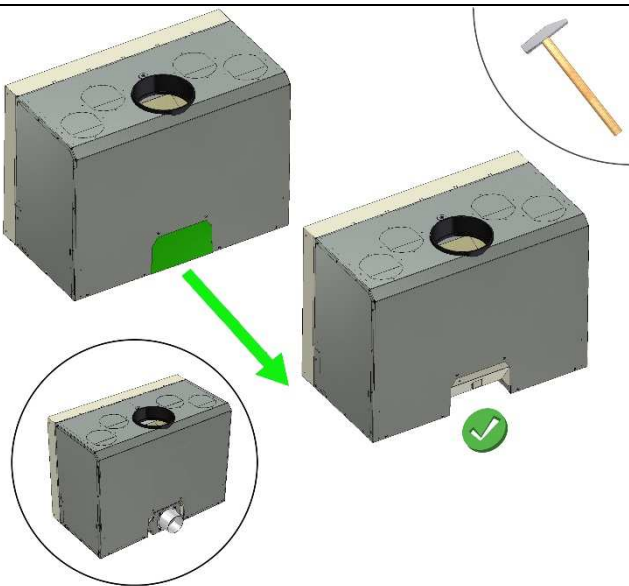
A.8



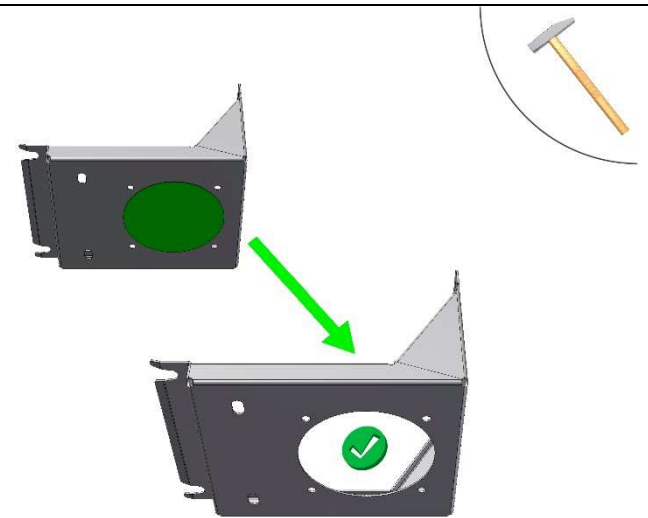
A.9



B.1

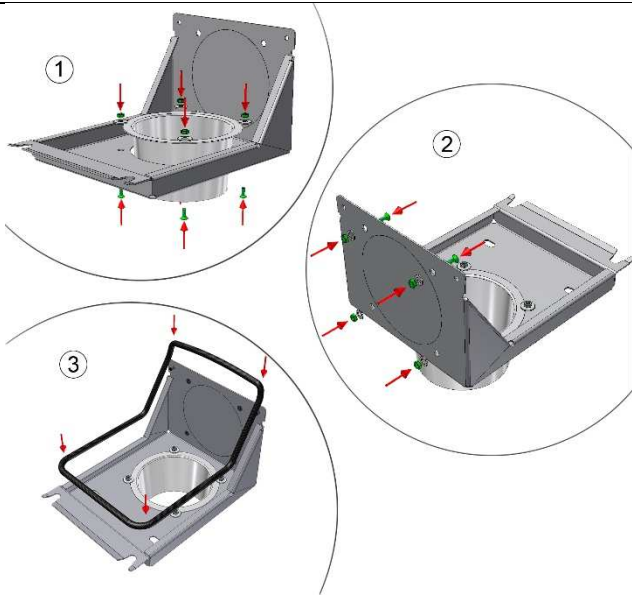


B.2

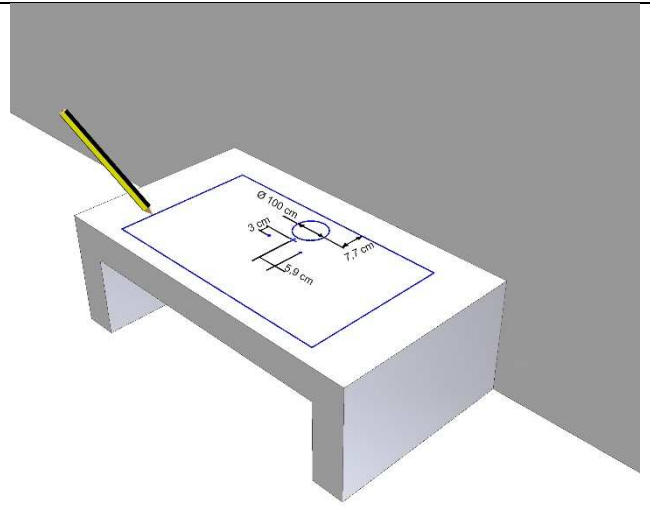


III

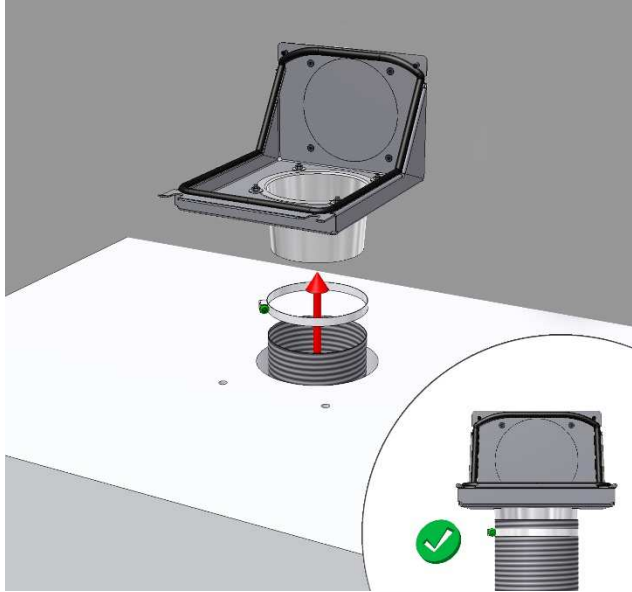
B.3



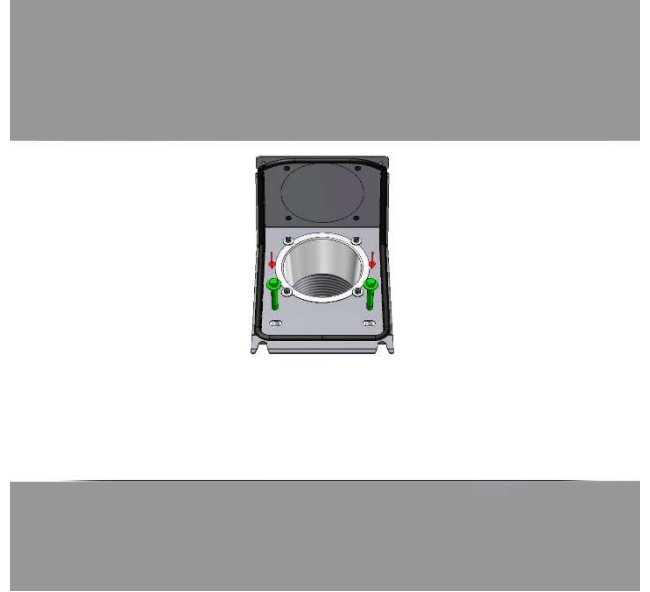
B.4



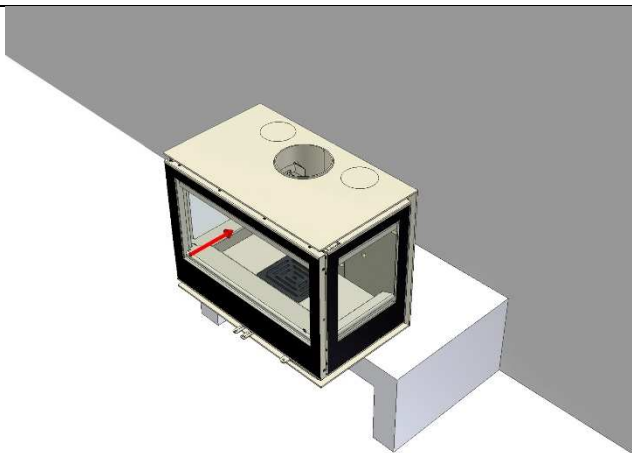
B.5



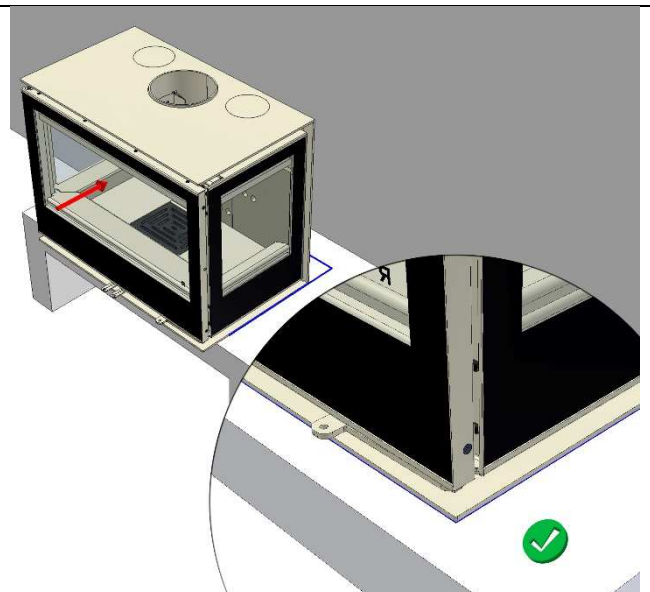
B.6



B.7

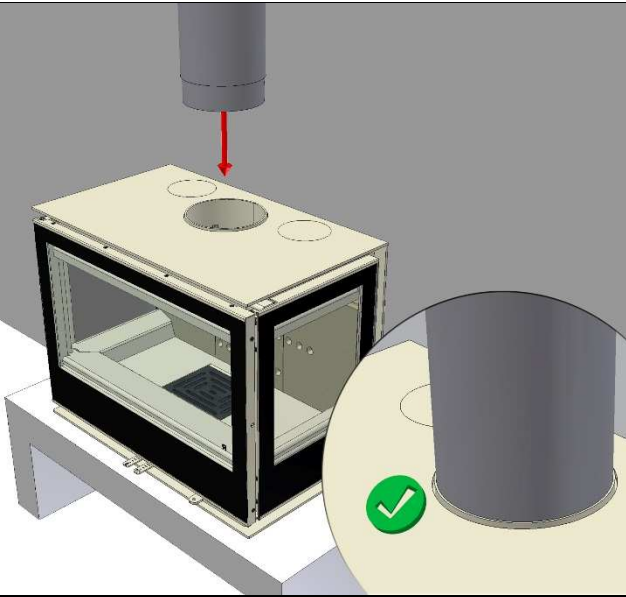


C.1

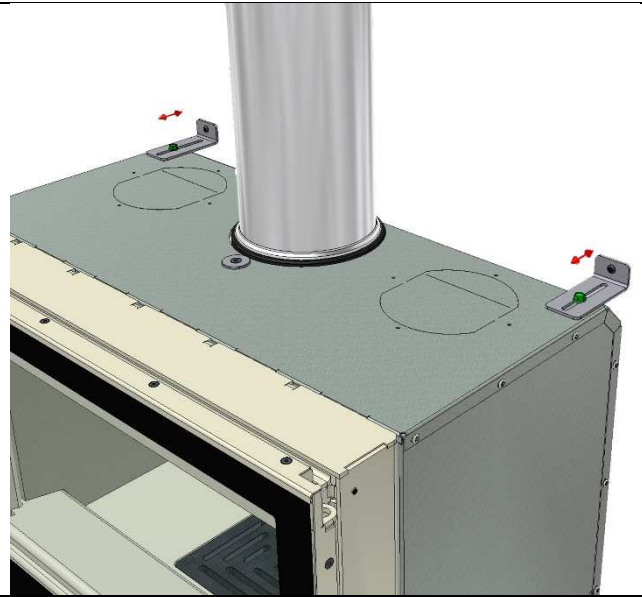


III

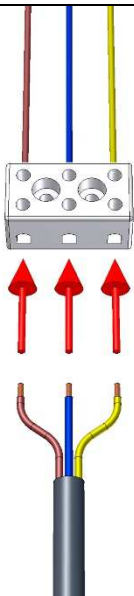
C.2



C.3



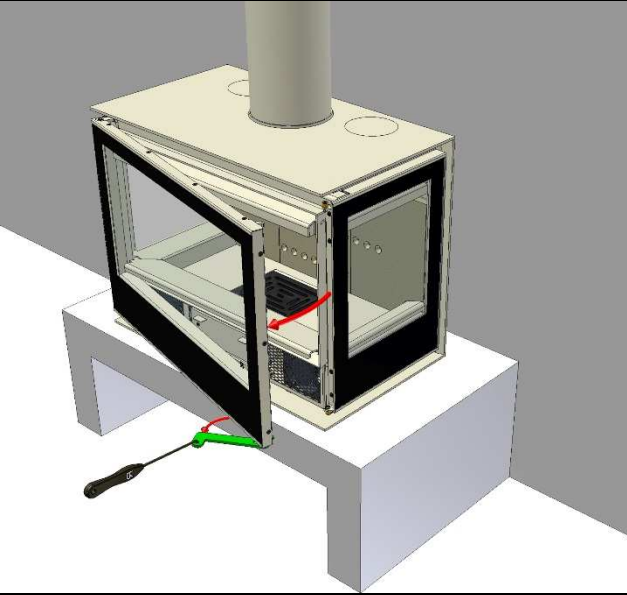
C.4



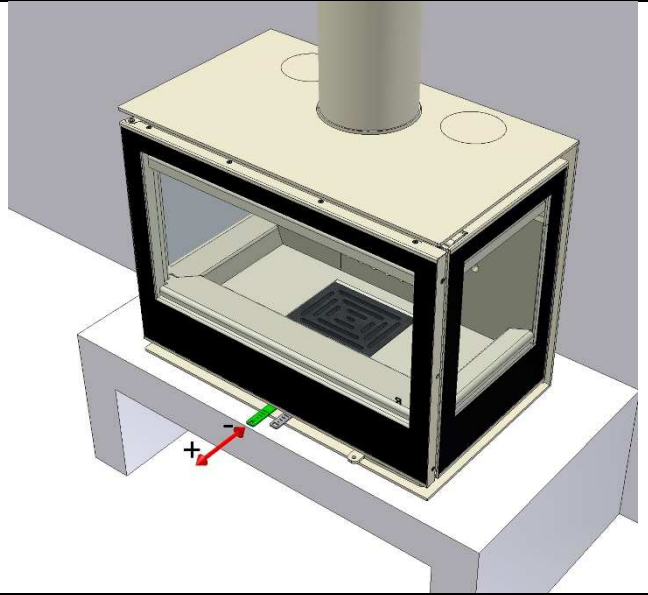
220/230 V AC
50/60 Hz

IV

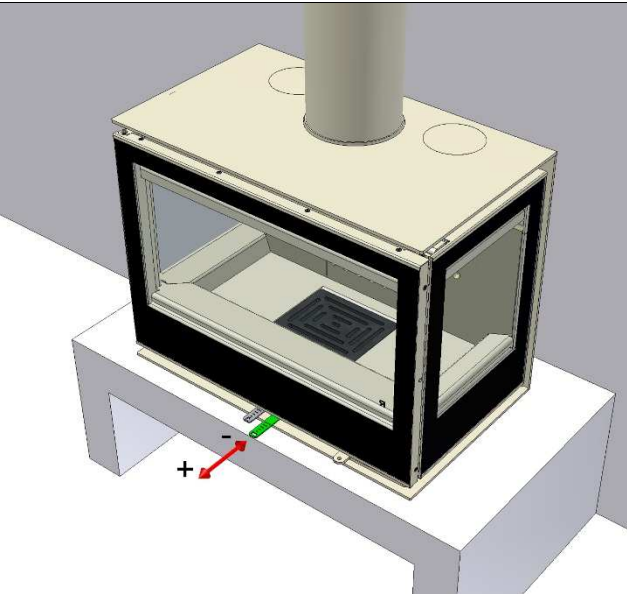
D.1



D.2



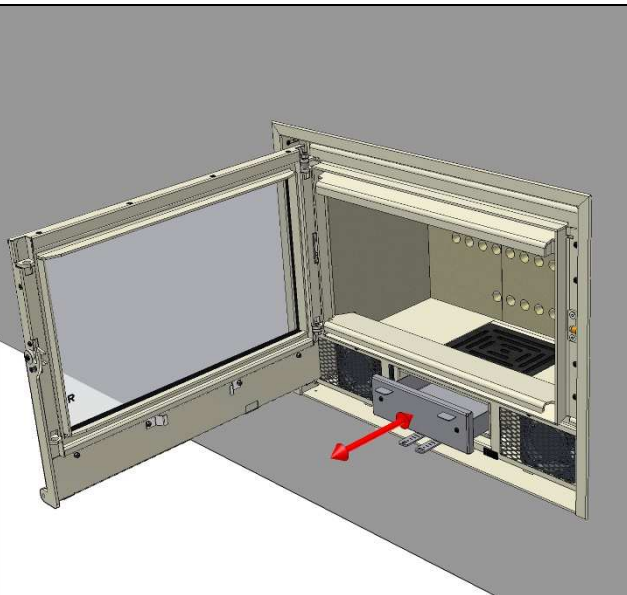
D.3



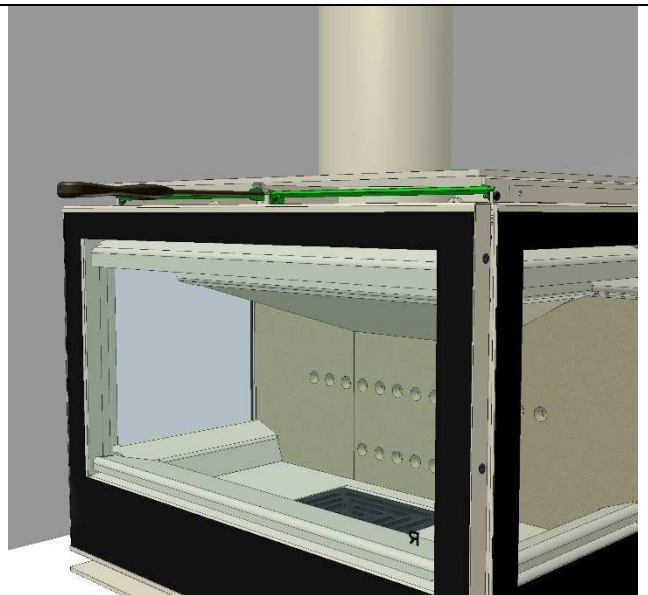
D.4



D.5

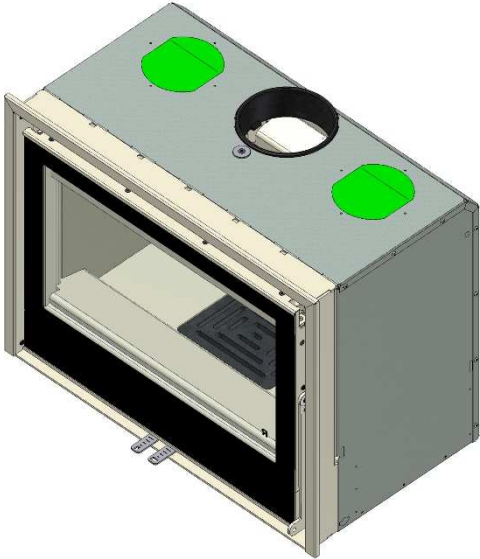


D.6

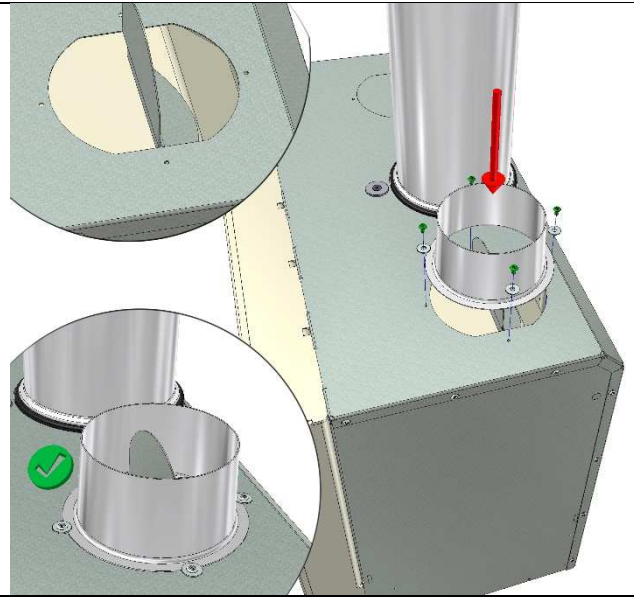


IV

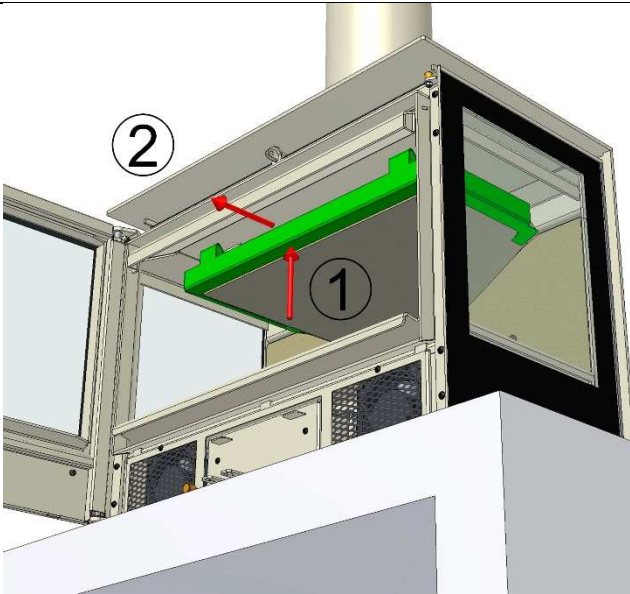
D.7



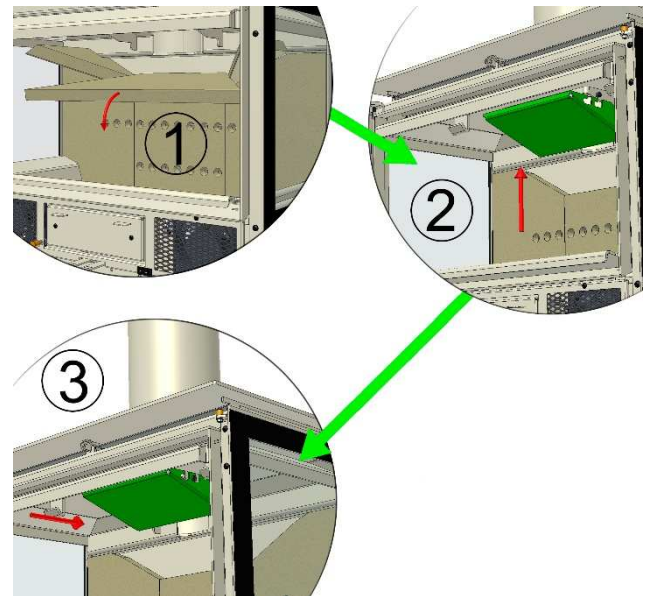
D.8



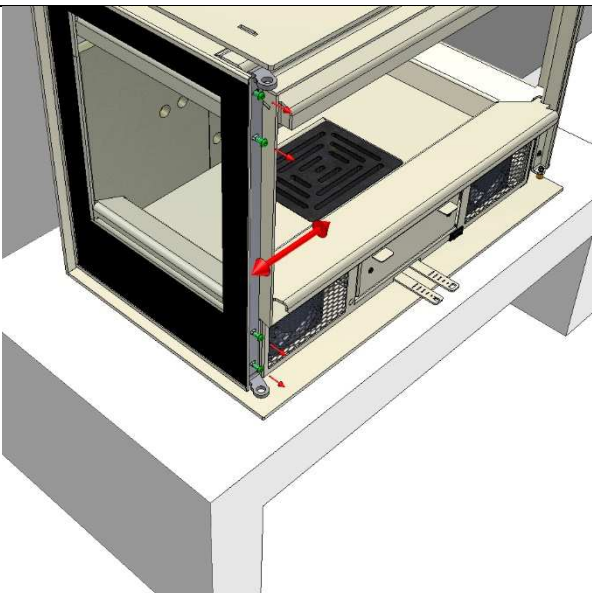
D.9



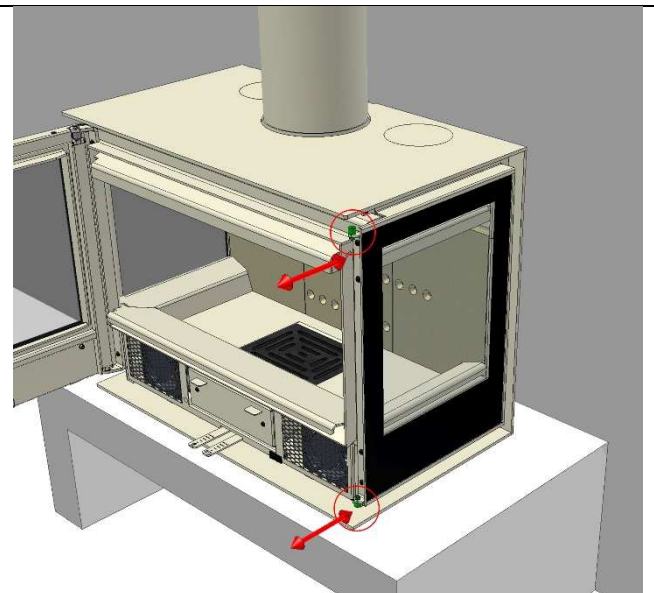
D.10



D.11

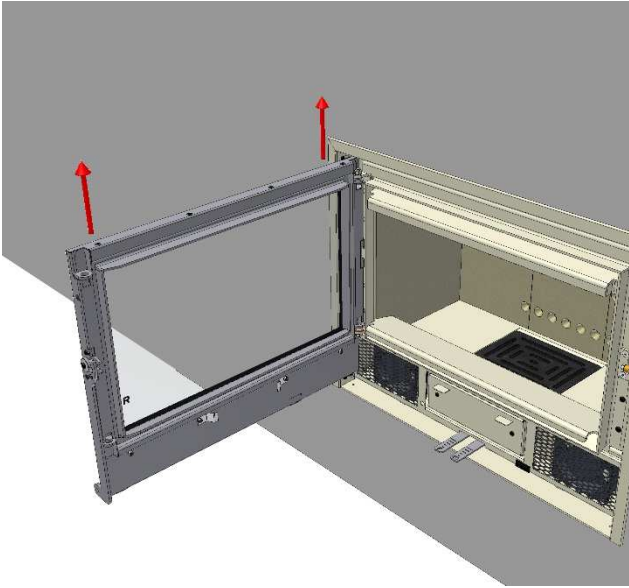


D.12

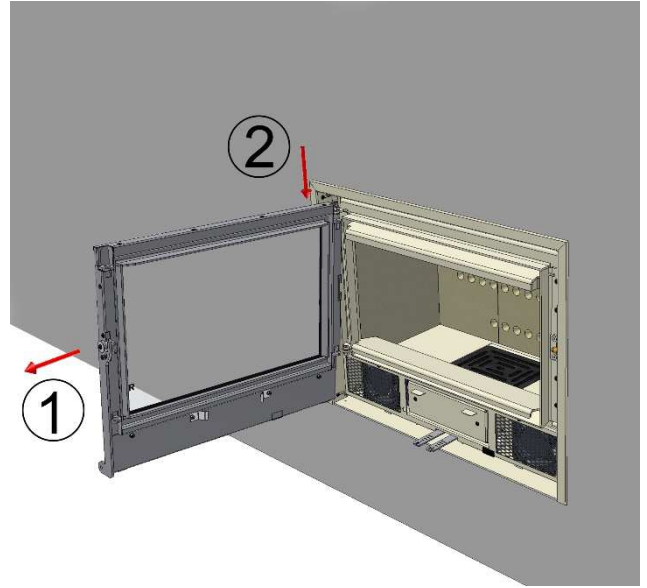


IV

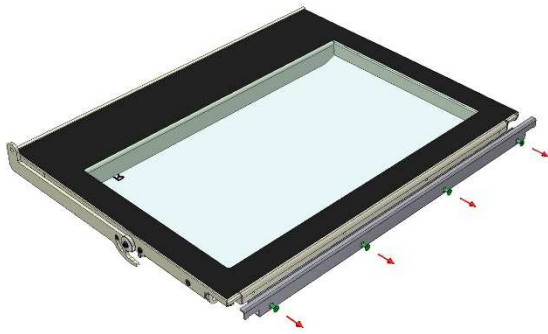
D.13



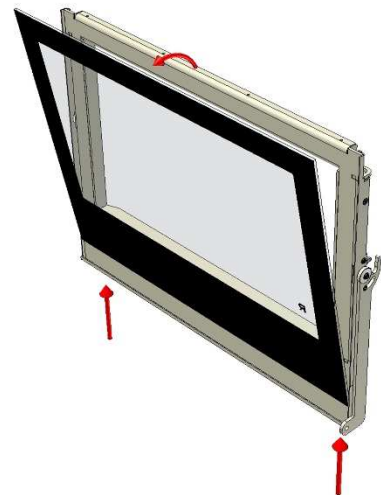
D.14



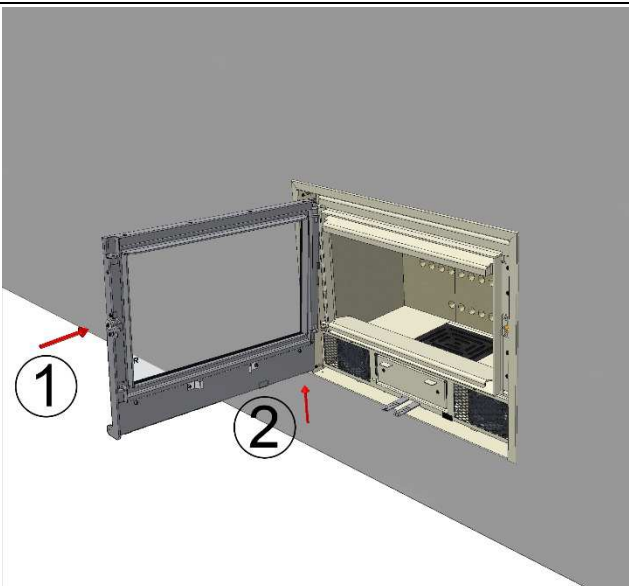
D.15



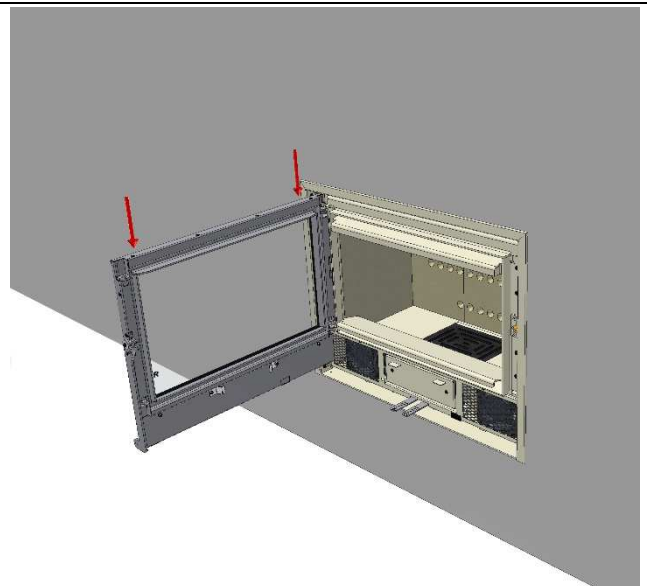
D.16



D.17

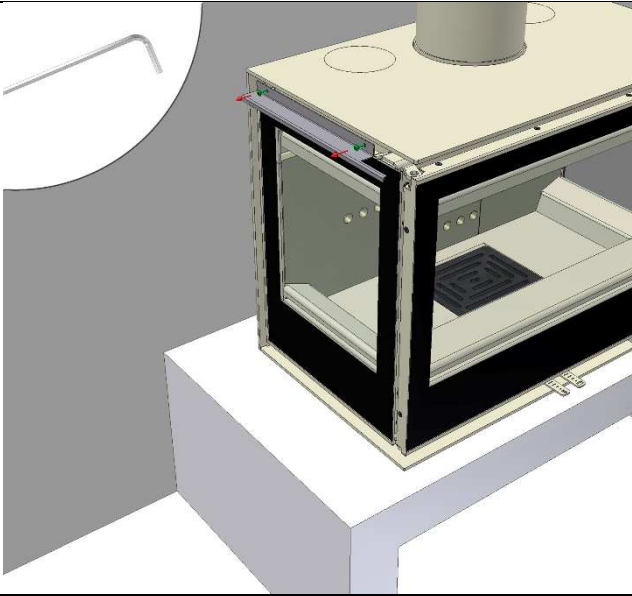


D.18

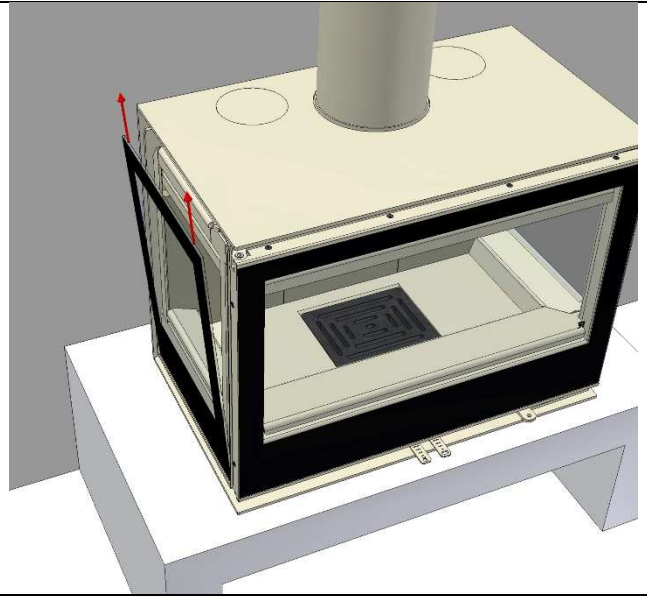


IV

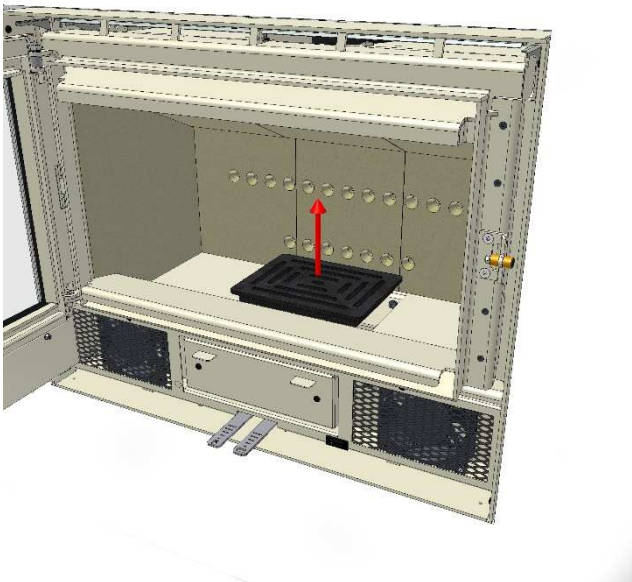
D.19



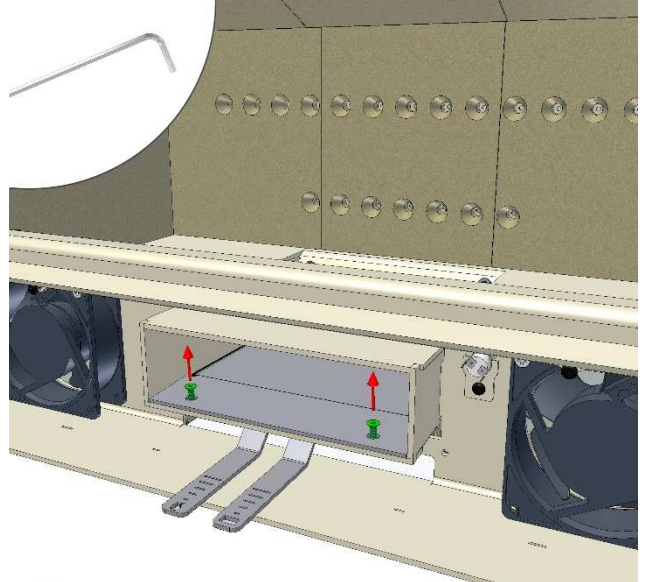
D.20



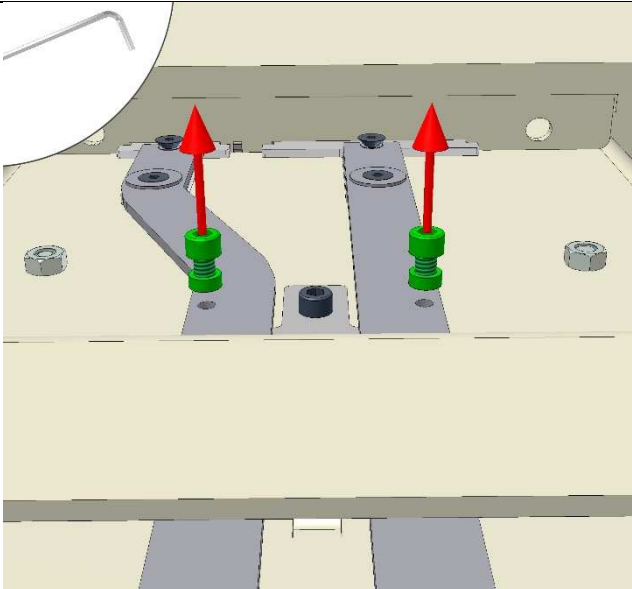
D.21



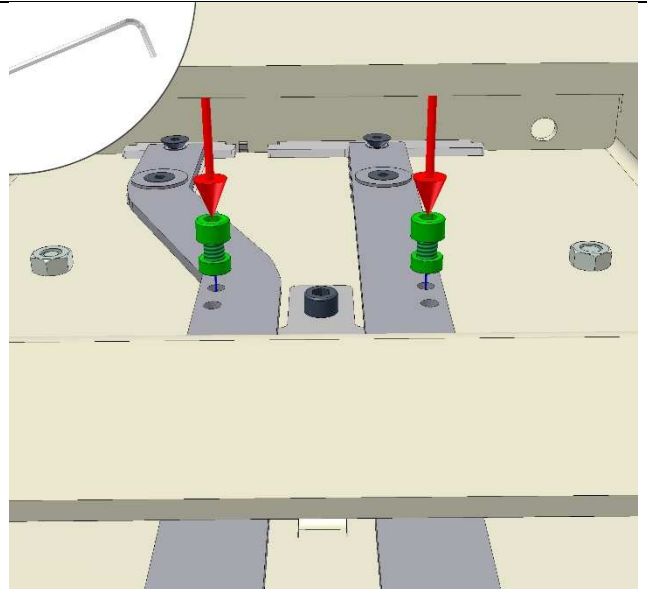
D.22



D.23

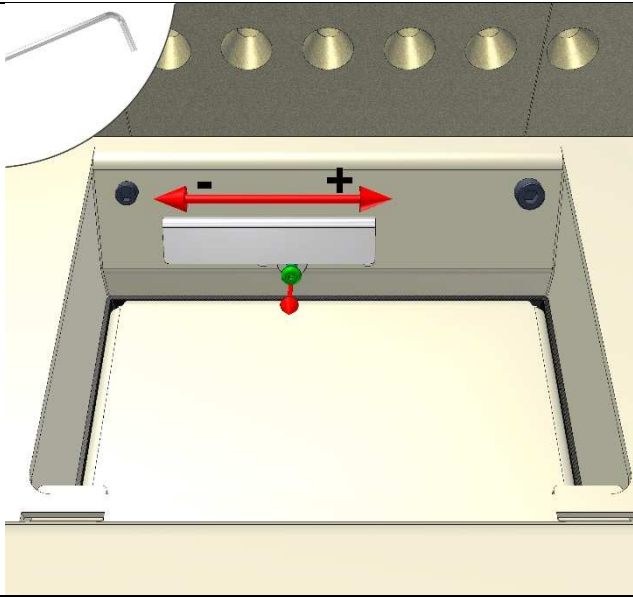


D.24

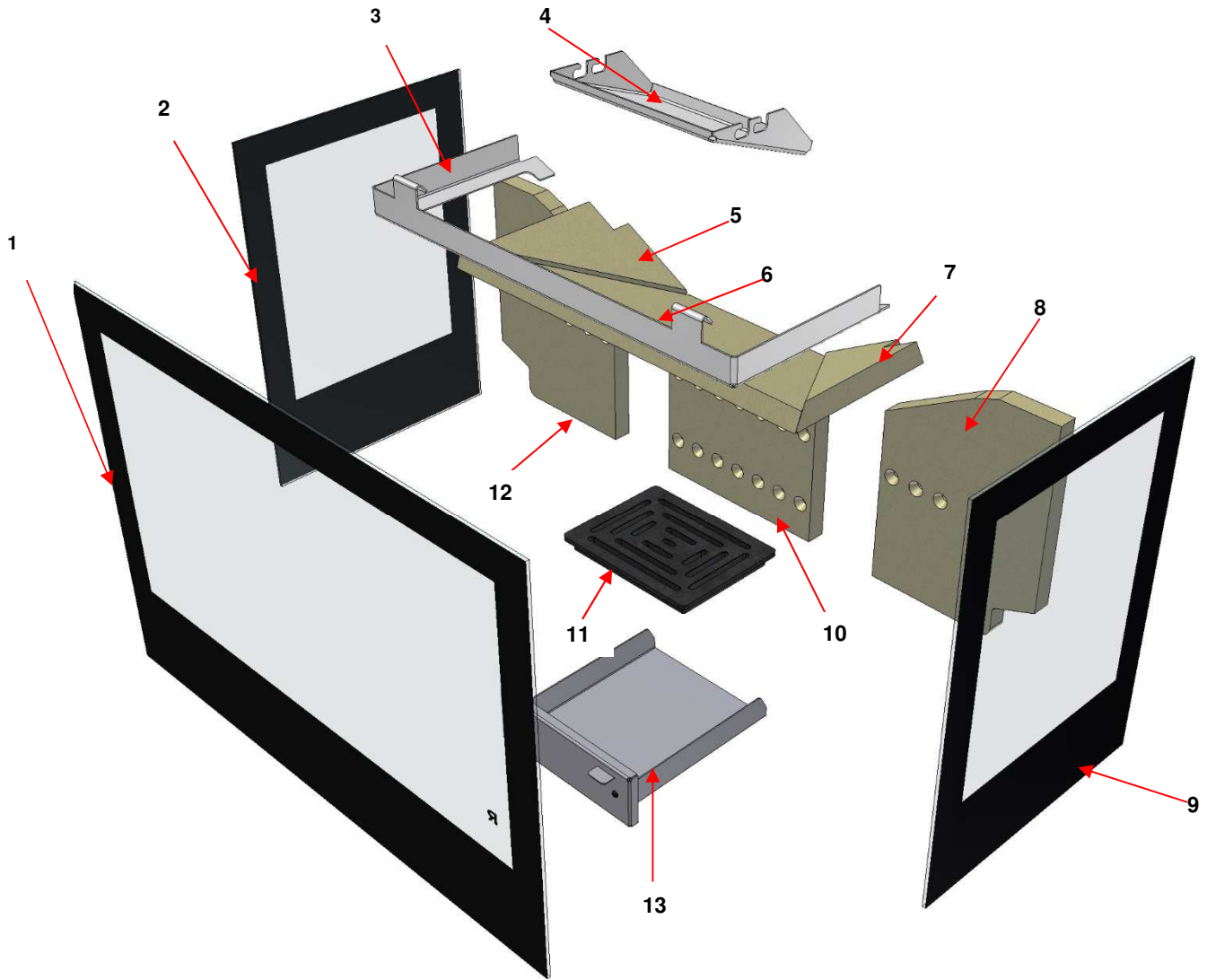


IV

D.25



V



CODES

	ARc 73 TC ARc 73 TC +Plus 180	ARc 93 TC ARc 93 TC +Plus 180
1	M5711-200	M5716-200
2	M5963-200/1	M5965-200/1
3	M5963-30	M5965-30
4	M5963-14	M5965-14
5	VRM5963-3	VRM5965-3
6	VRM5963-1	VRM5965-1
7	VRM5963-2	VRM5965-2
8	VRM5963-6	VRM5965-6
9	M5963-200/1	M5965-200/1
10	VRM5963-4	VRM5965-4
11	FUM5900-400	FUM5900-400
12	VRM5963-5	VRM5965-5
13	M5963-28/29	M5965-28/29

V

ARc 73 TC | ARc 73 TC +Plus 180



COEVA-18

MOTOR20

MELEC20

MELEC44

MELEC05

ARc 93 TC | ARc 93 TC +Plus 180



MOTOR20

COEVA-17

MELEC20

MELEC44

MELEC05