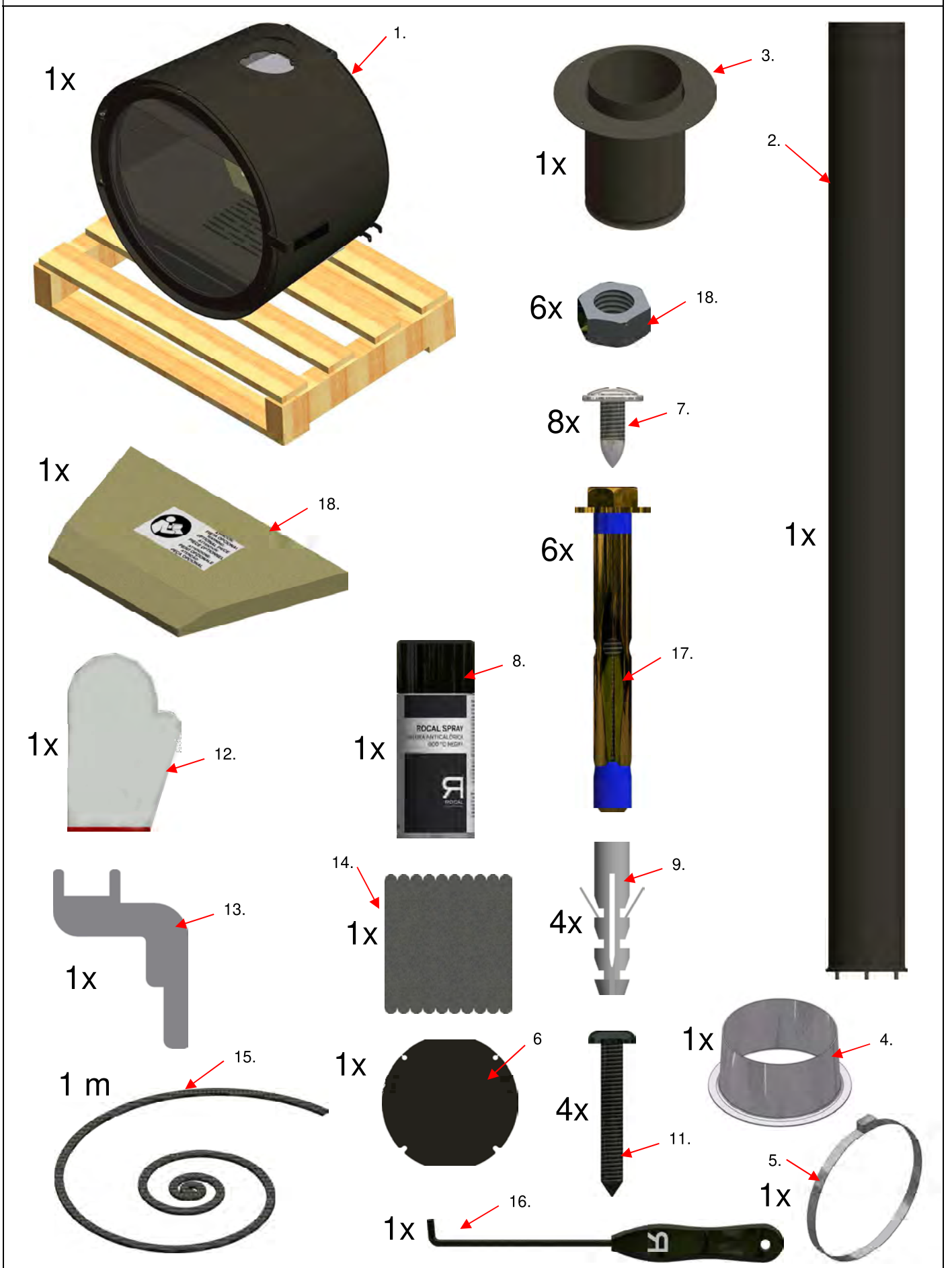
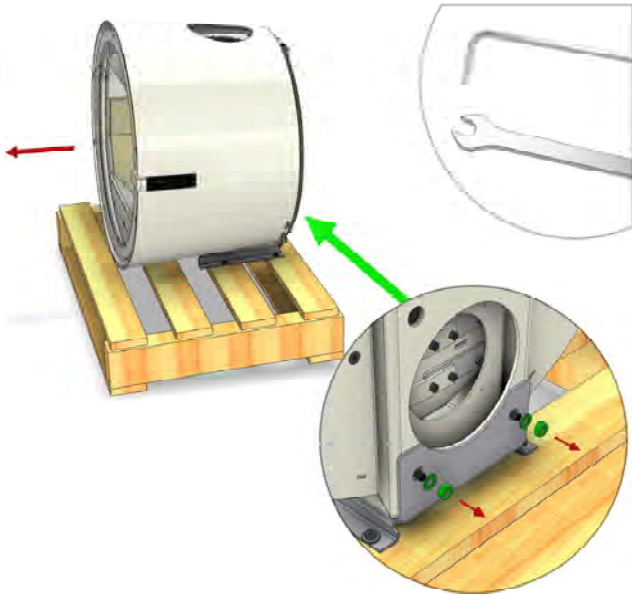


II

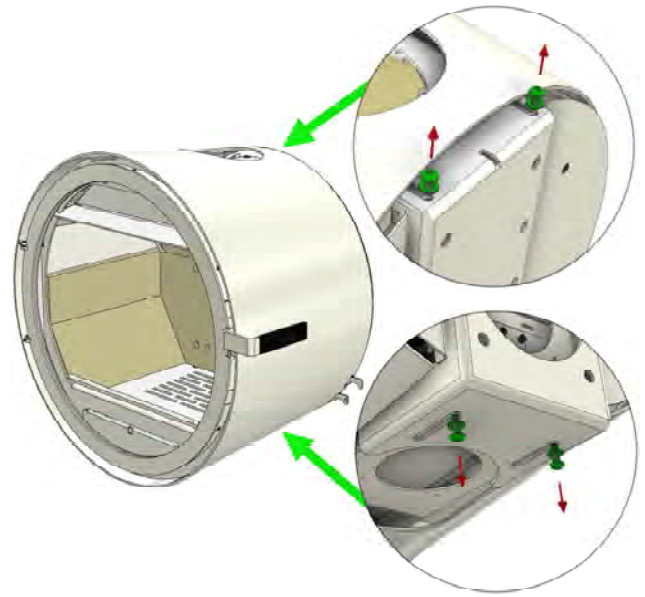


III

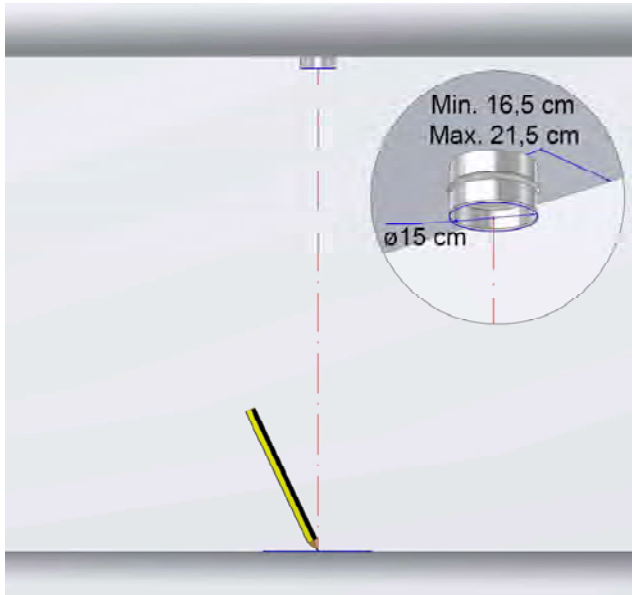
1.



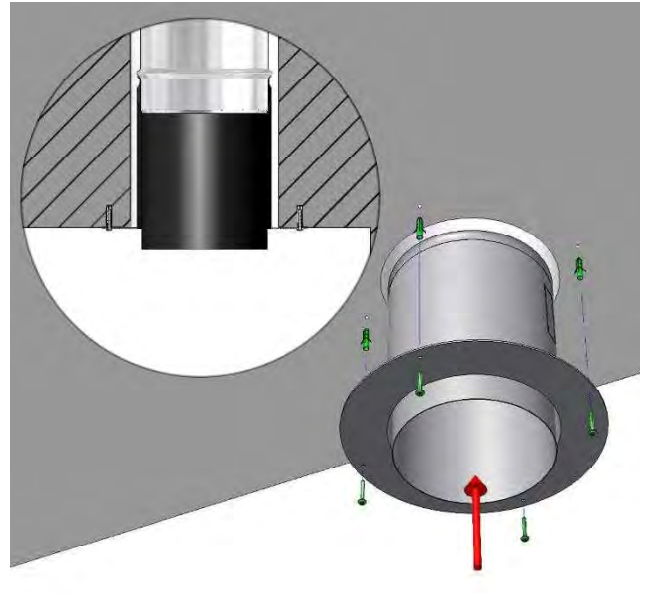
2.



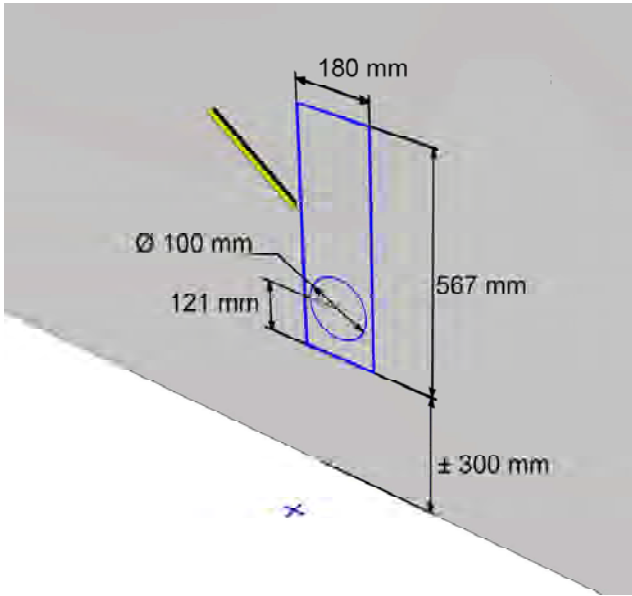
3.



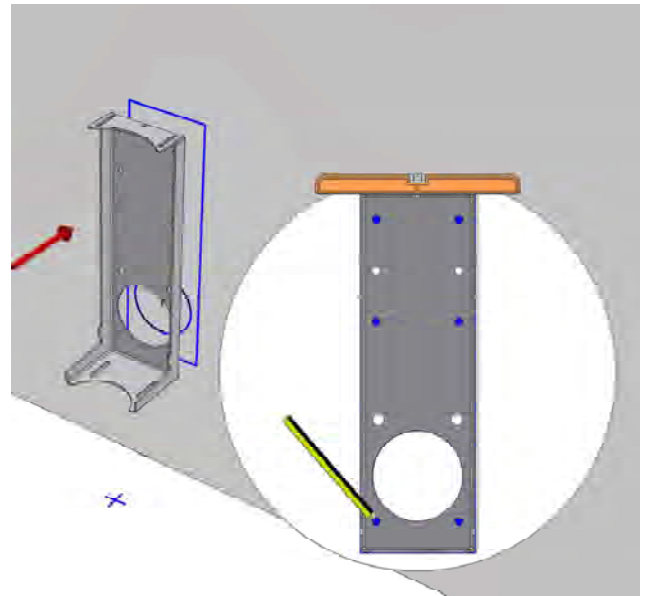
4.



4.

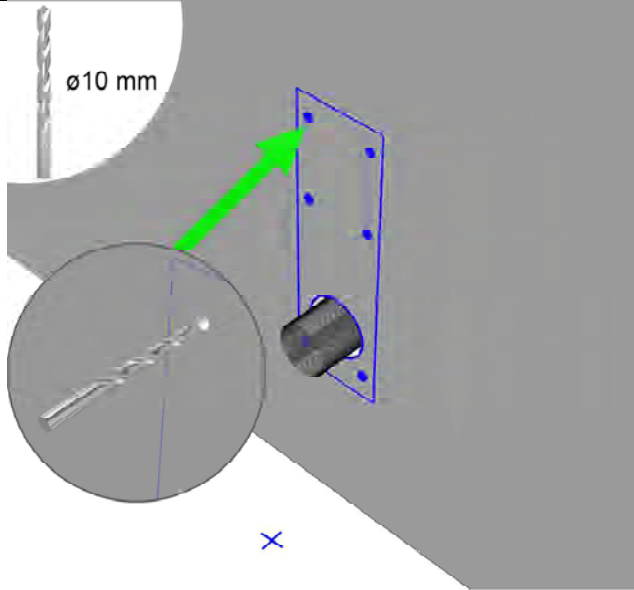


5.

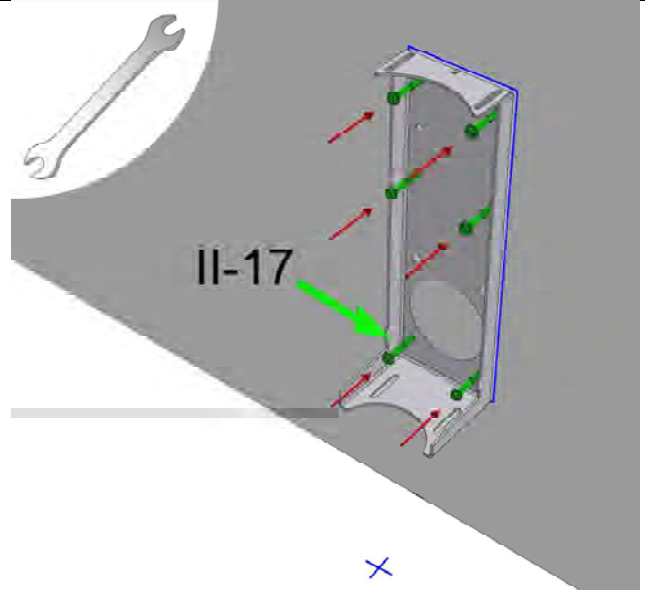


III

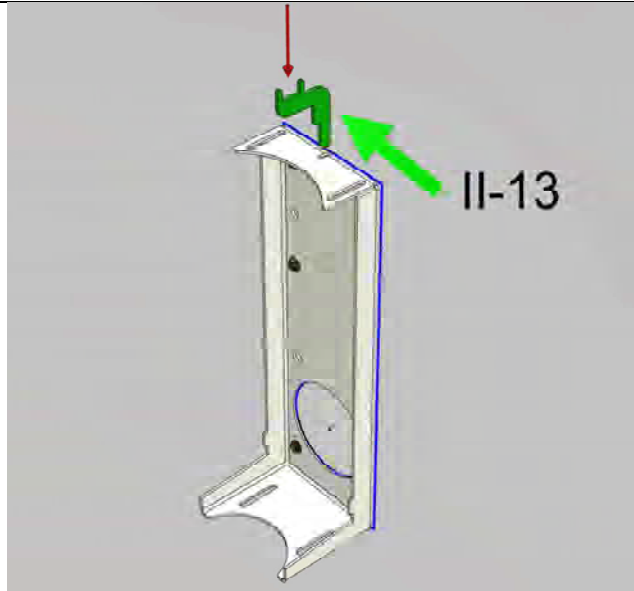
6.



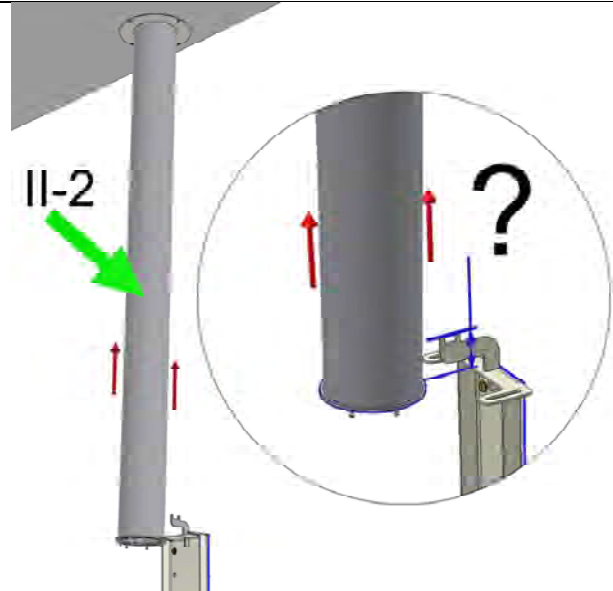
7.



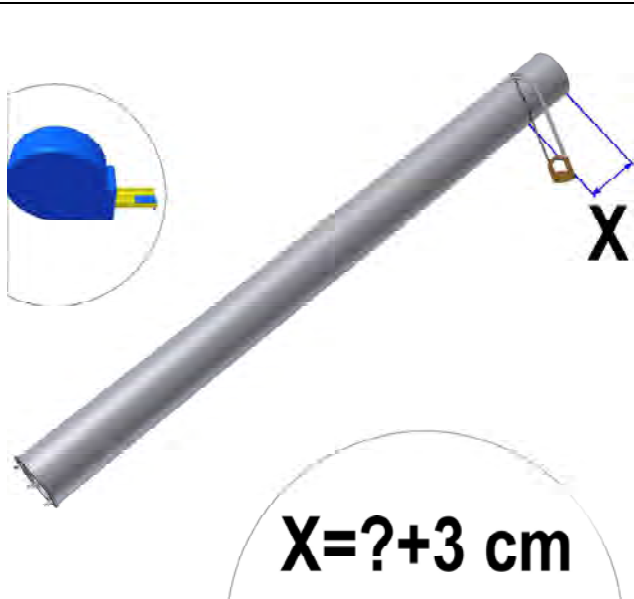
8.



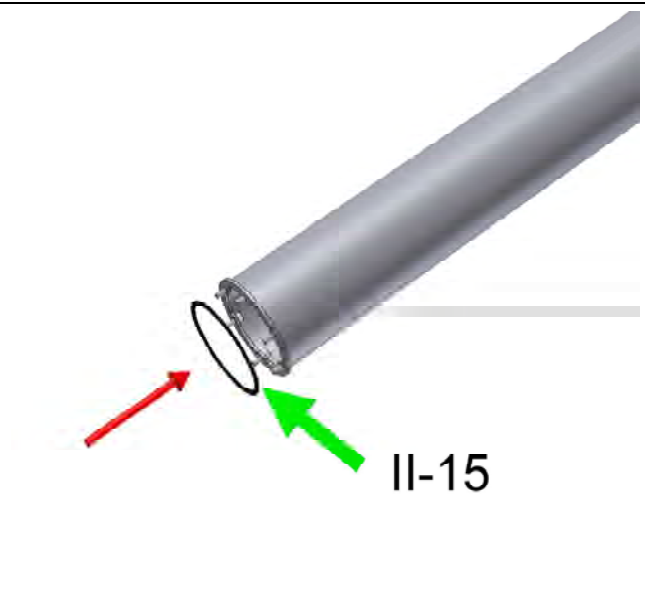
9.



10.

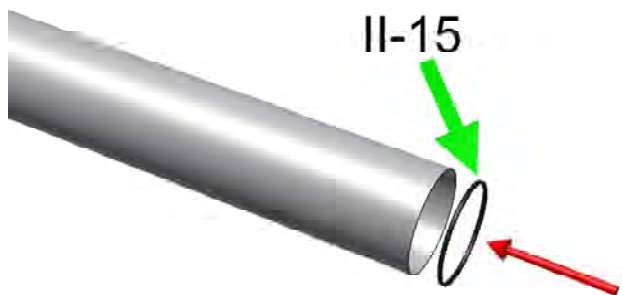


11.



III

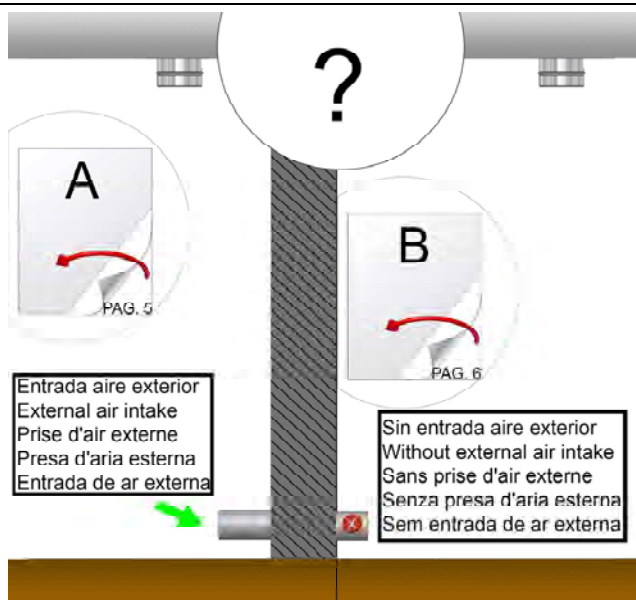
12.



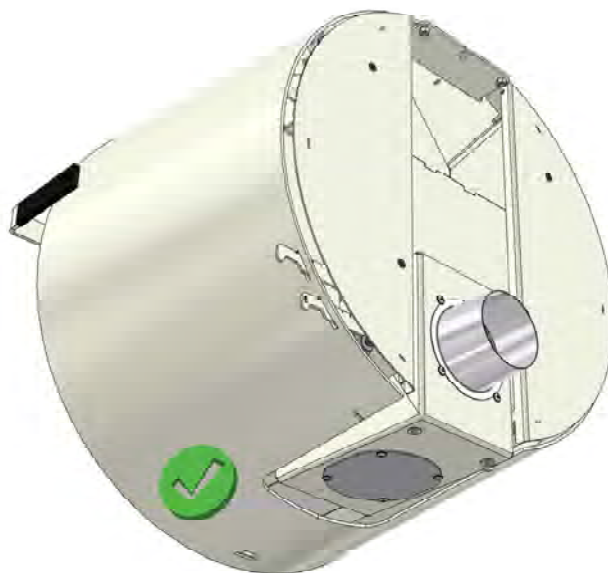
13.



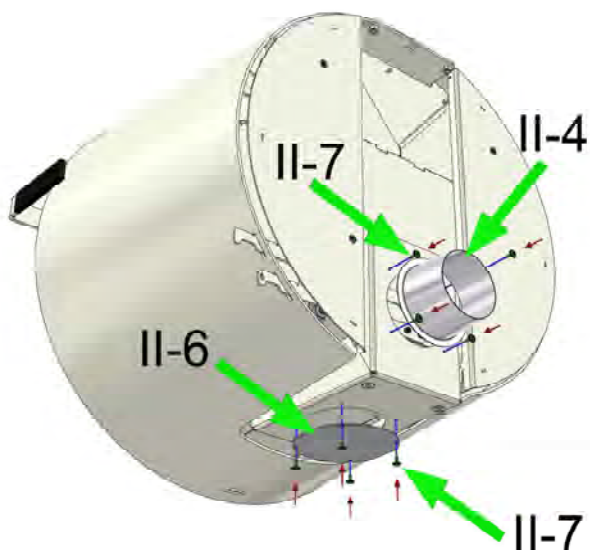
14.



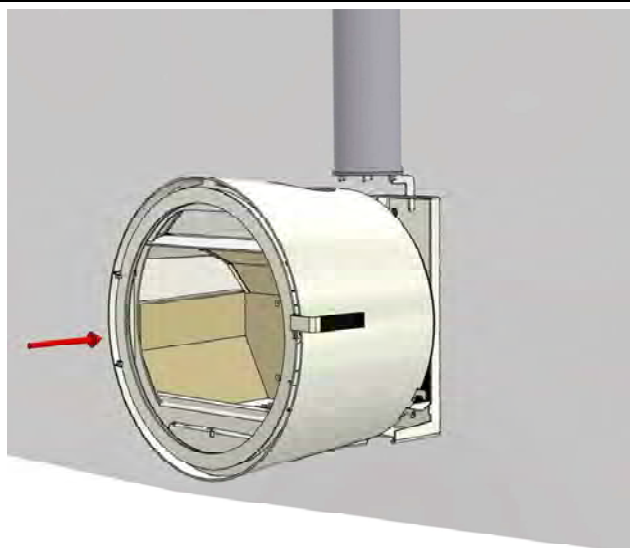
A.1



A.2

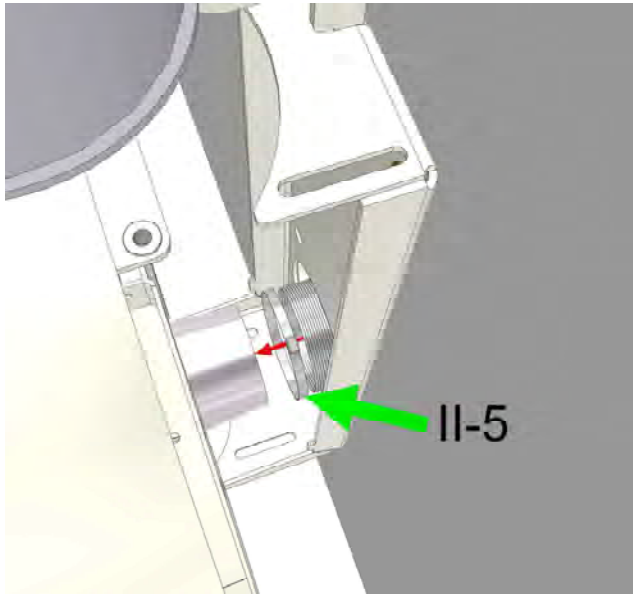


A.3

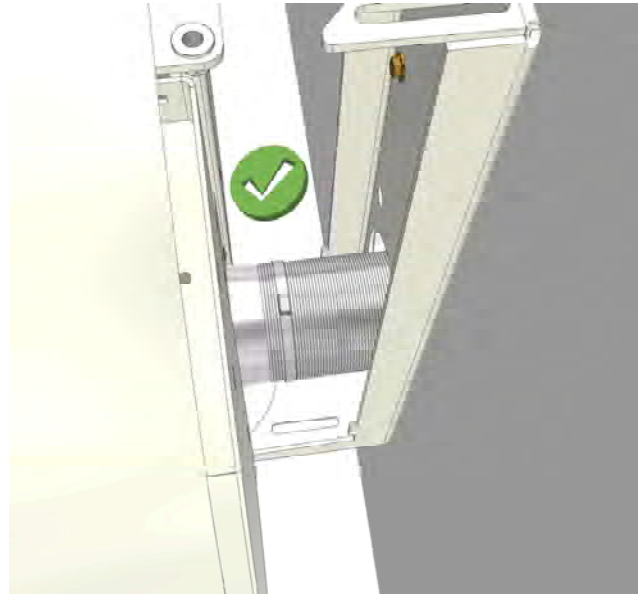


III

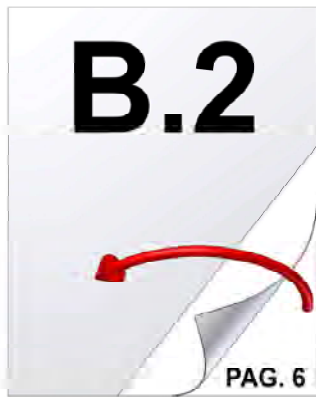
A.4



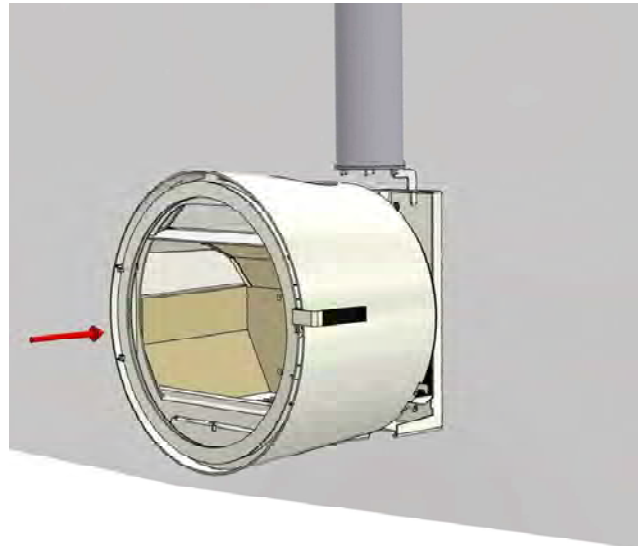
A.5



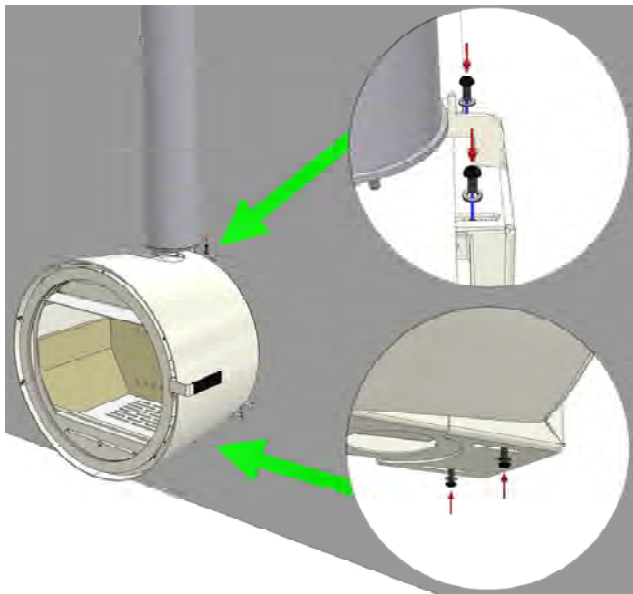
A.6



B.1



B.2



B.3

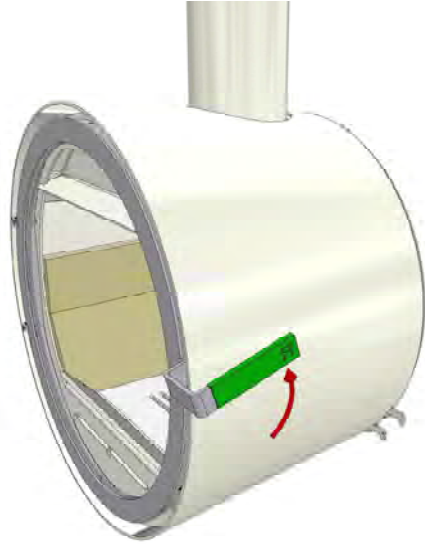


III

B.4



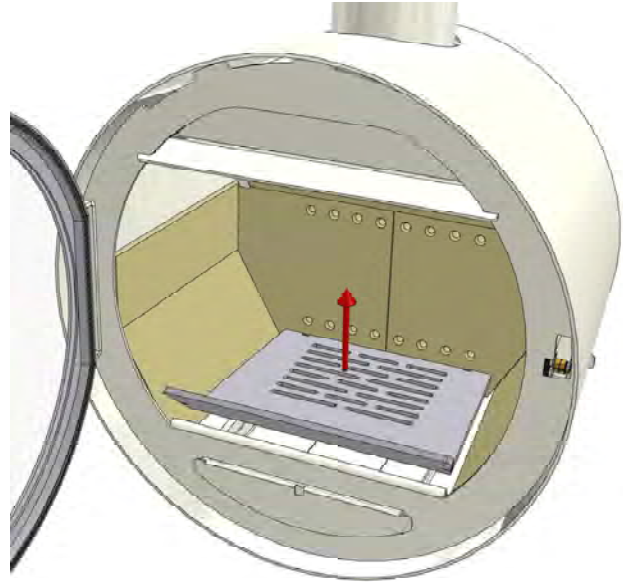
B.5



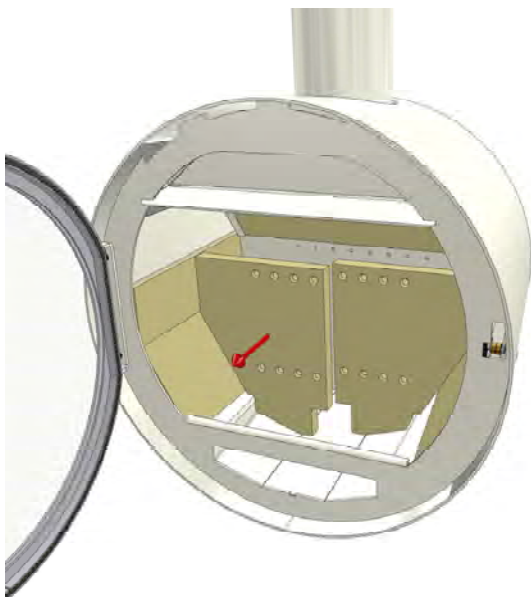
B.6



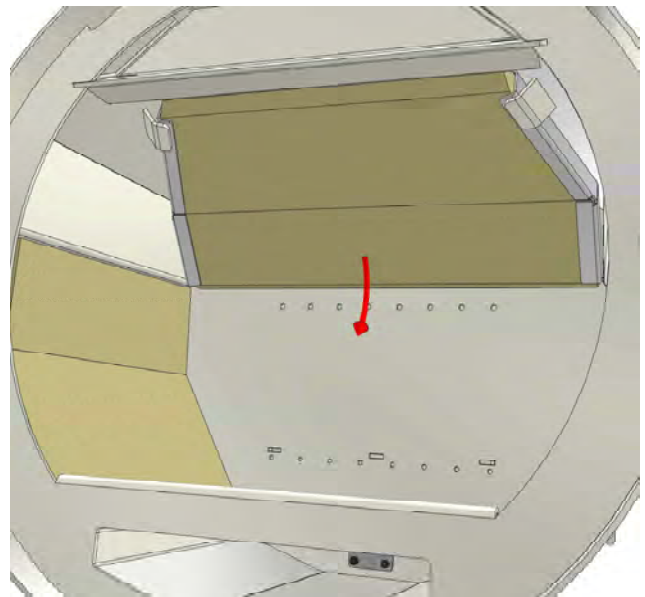
B.7



B.8

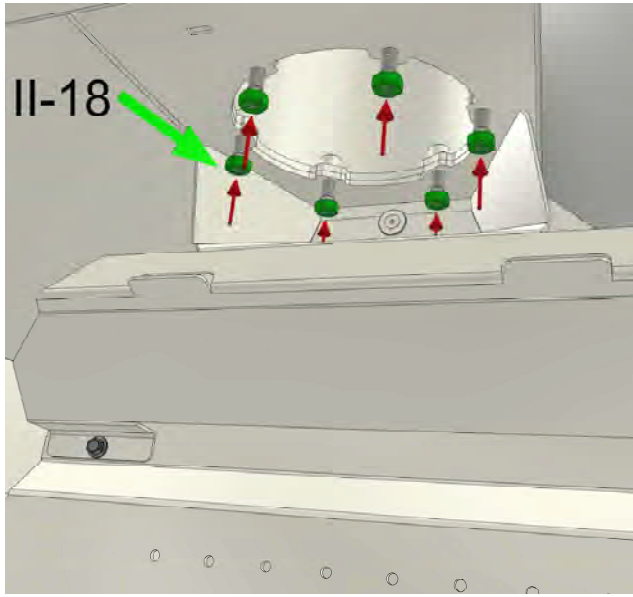


B.9

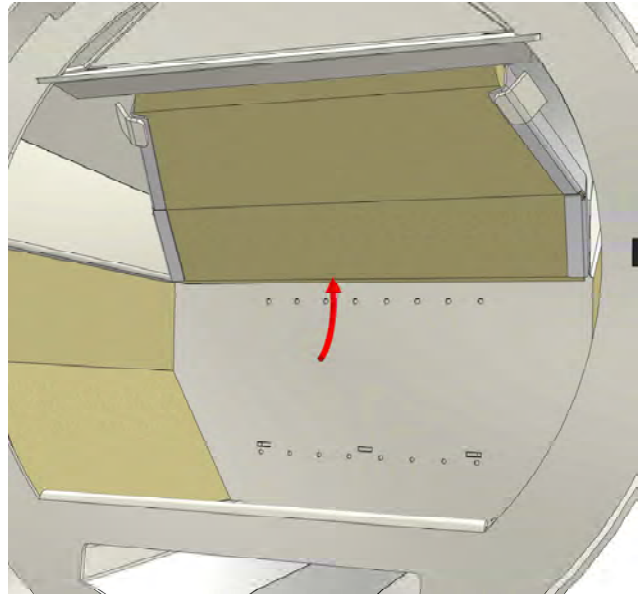


III

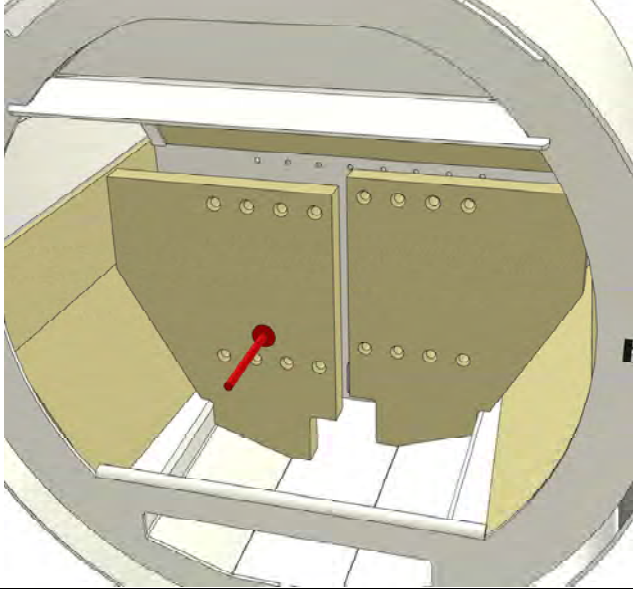
B.10



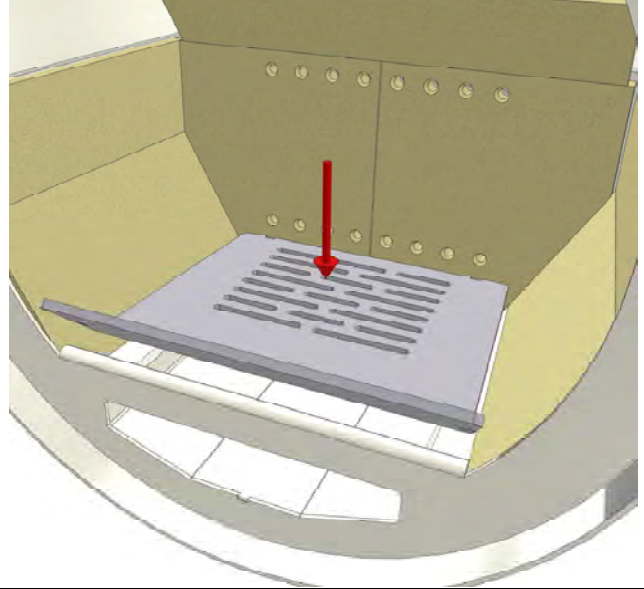
B.11



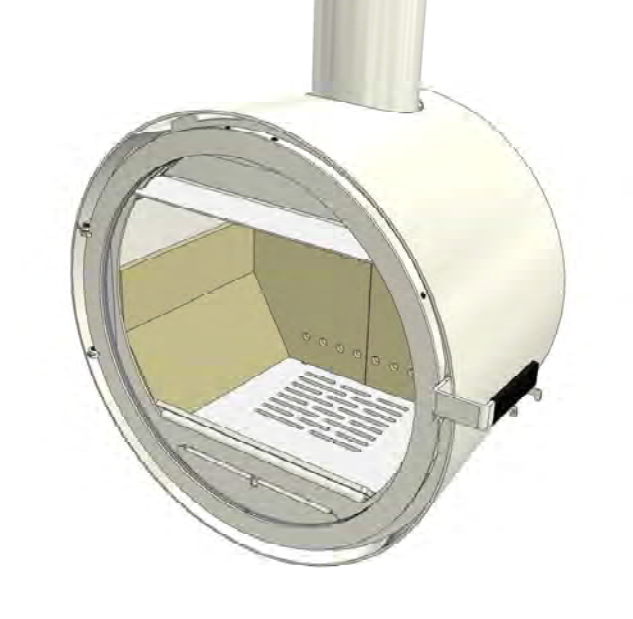
B.12



B.13

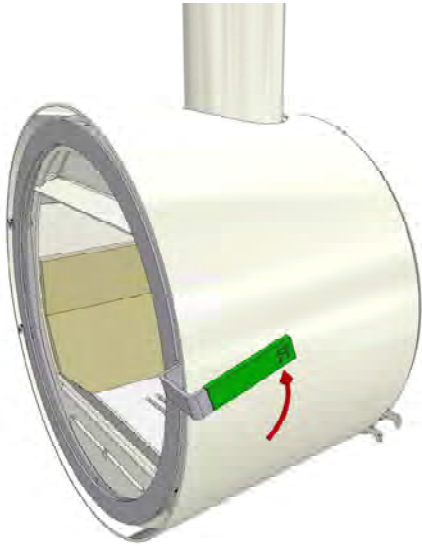


B.14



IV

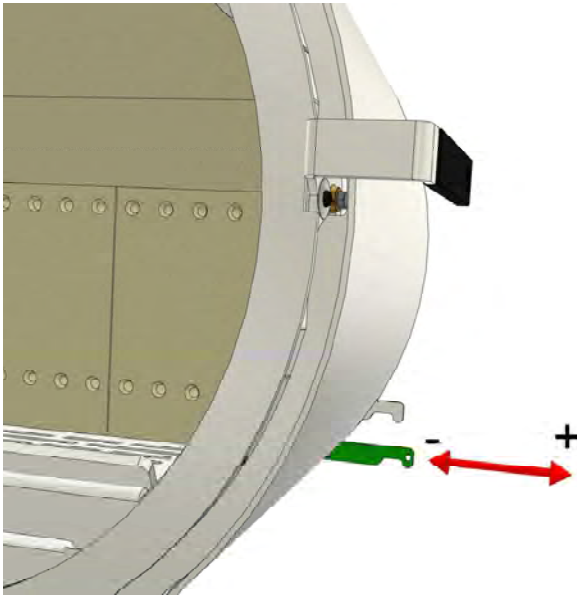
C.1



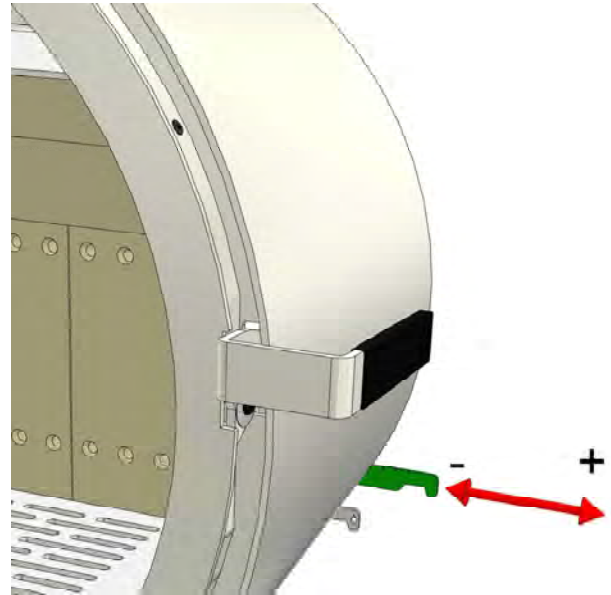
C.2



C.3



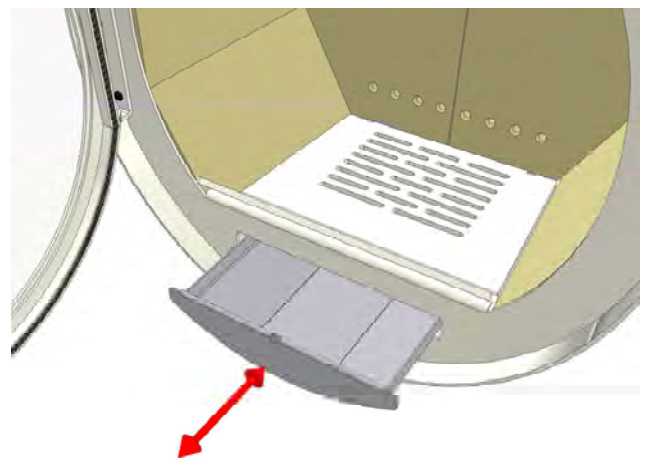
C.4



C.5

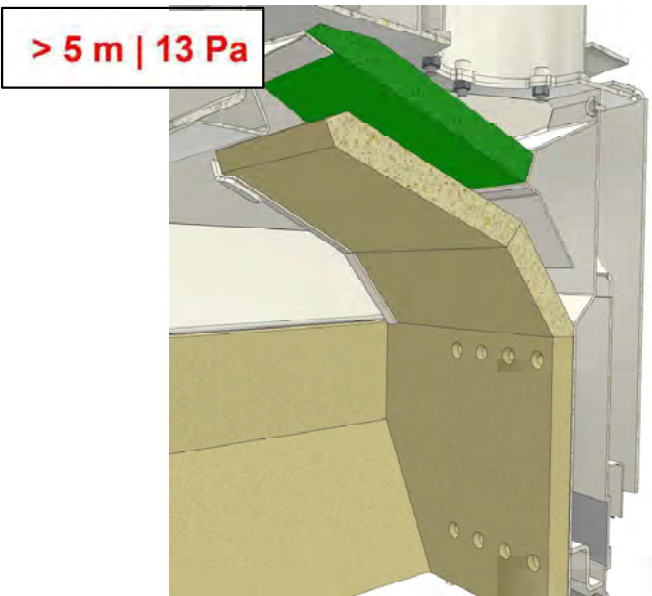
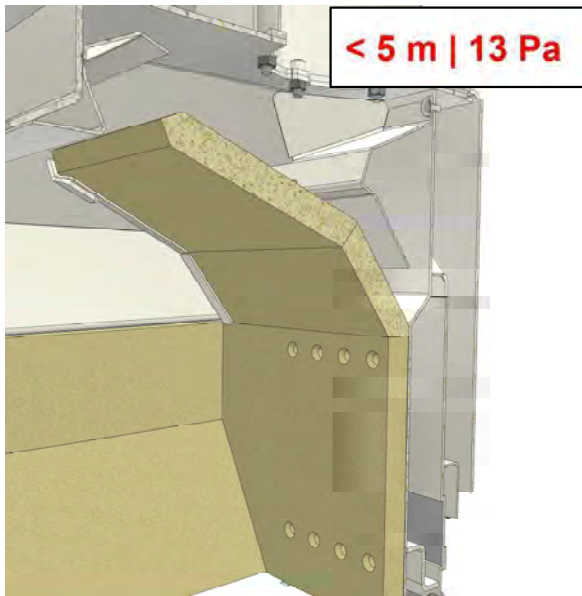


C.6



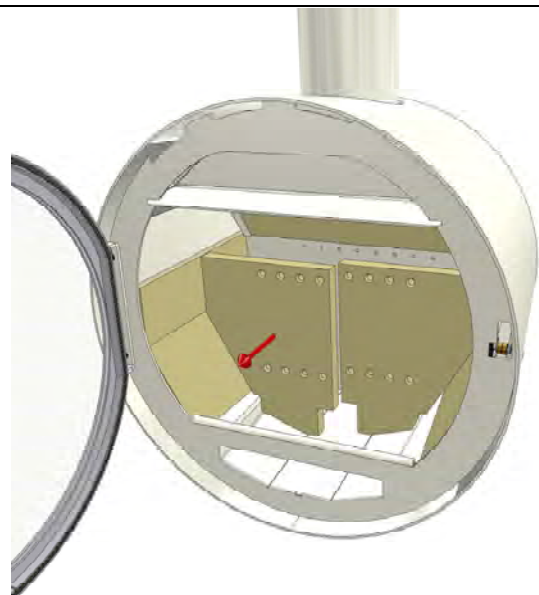
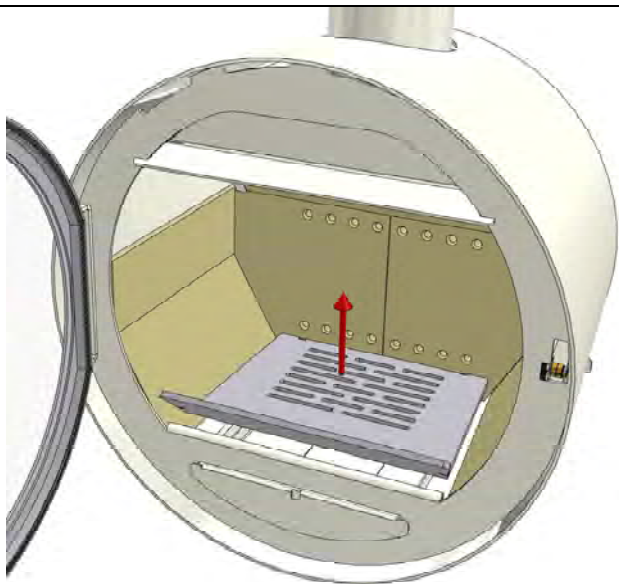
IV

C.7



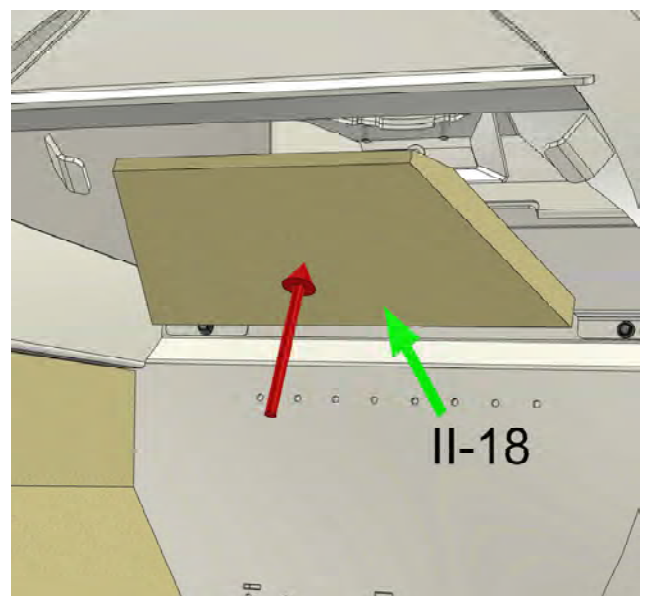
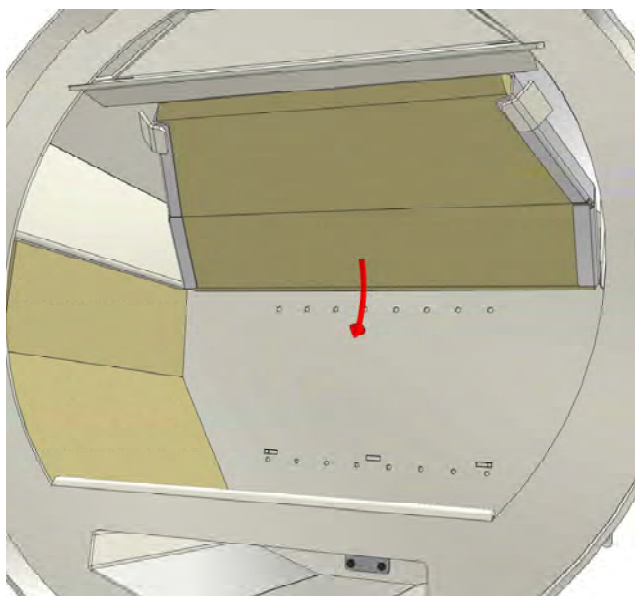
C.8

C.9



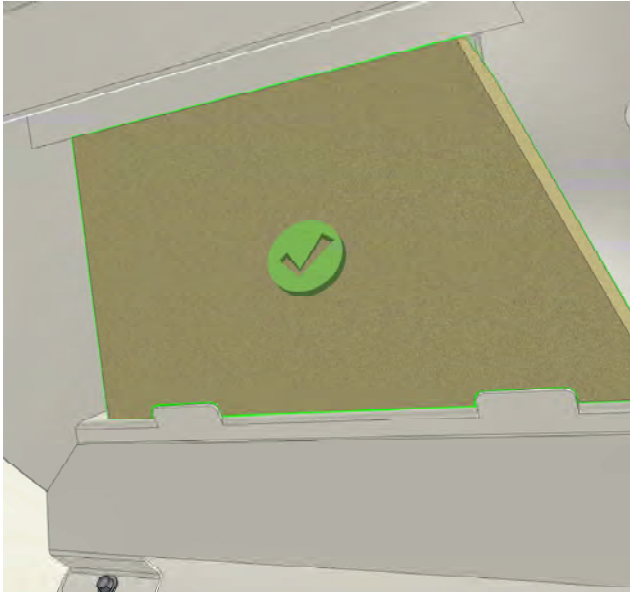
C.10

C.11

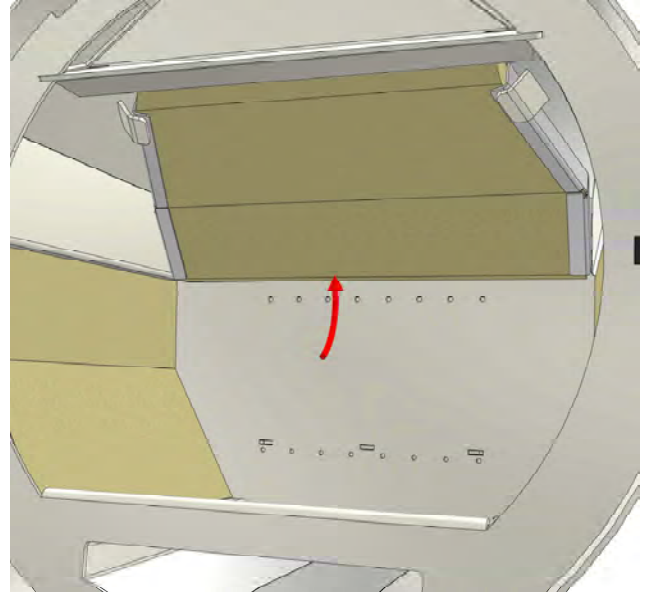


IV

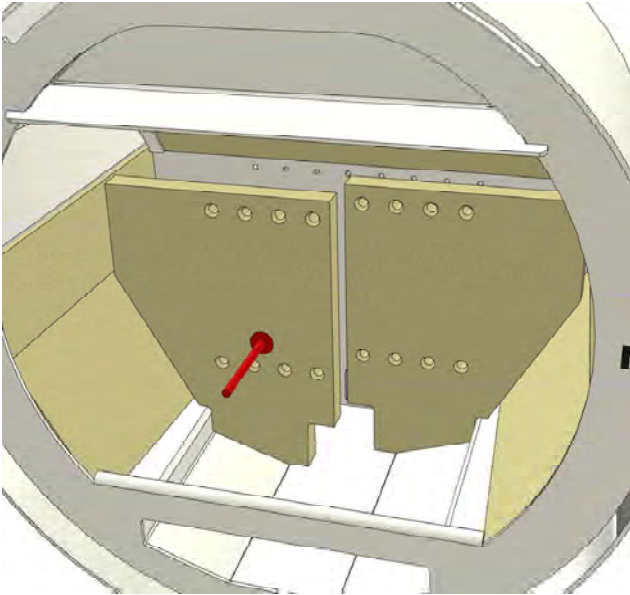
C.12



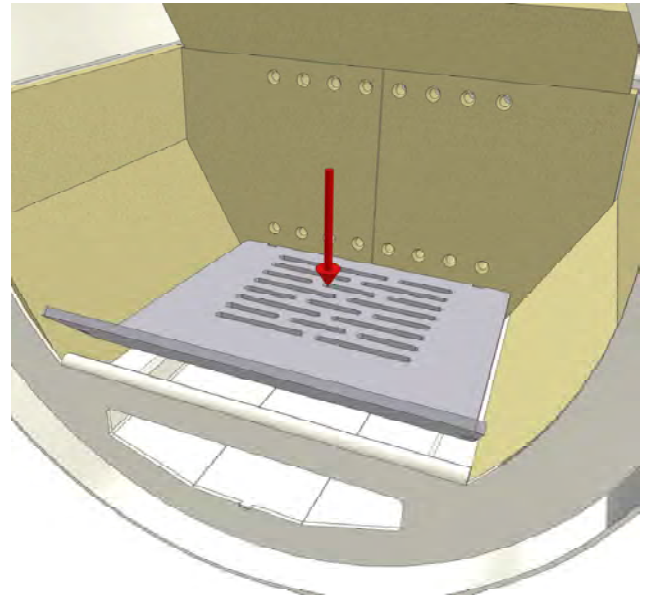
C.13



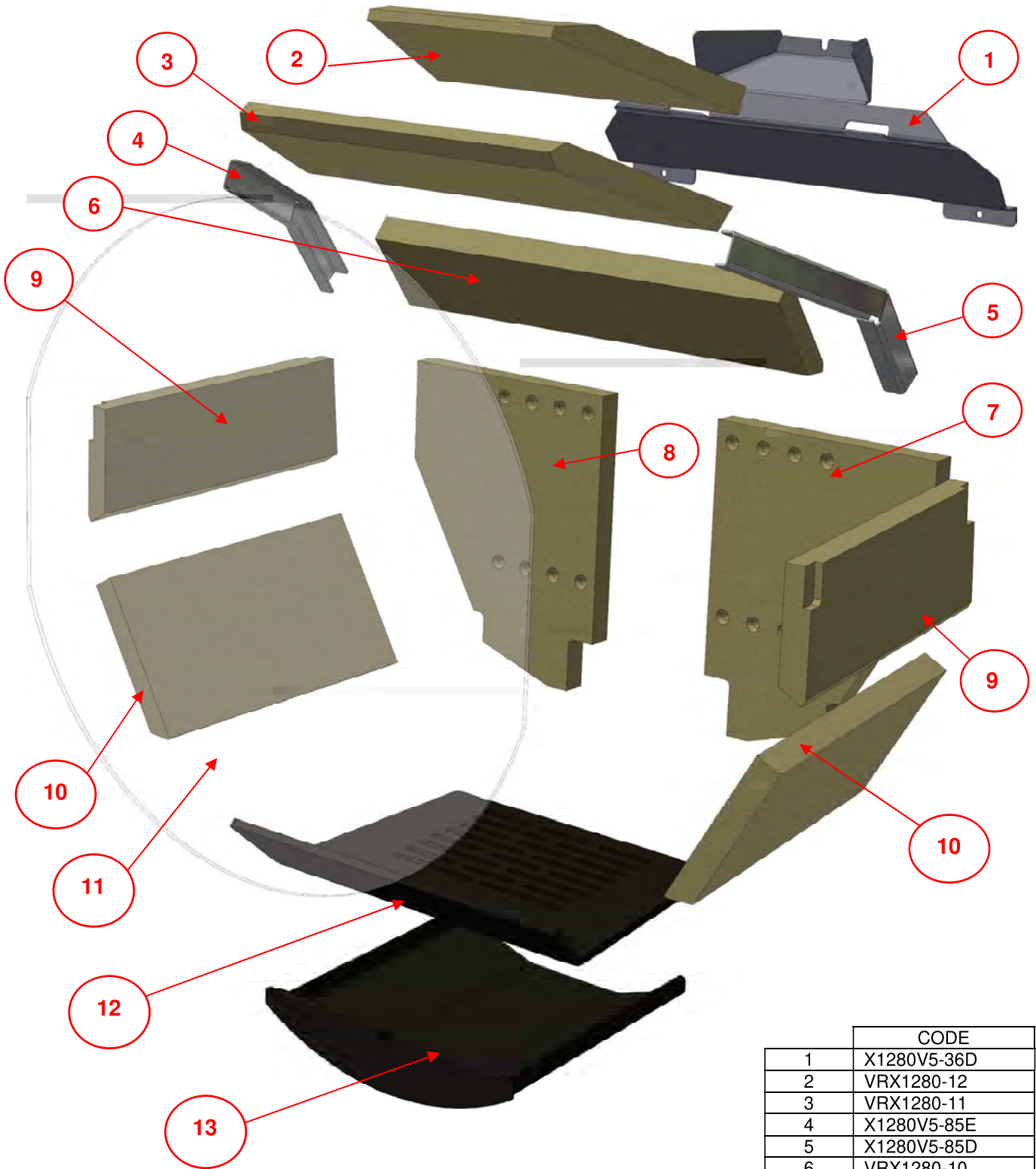
C.14



C.15



V



	CODE
1	X1280V5-36D
2	VRX1280-12
3	VRX1280-11
4	X1280V5-85E
5	X1280V5-85D
6	VRX1280-10
7	VRX1280-14
8	VRX1280-13
9	VRX1280-16 (2x)
10	VRX1280-15 (2x)
11	X1280V5-200
12	X1280V5-40A-40B
13	X1280V5-35