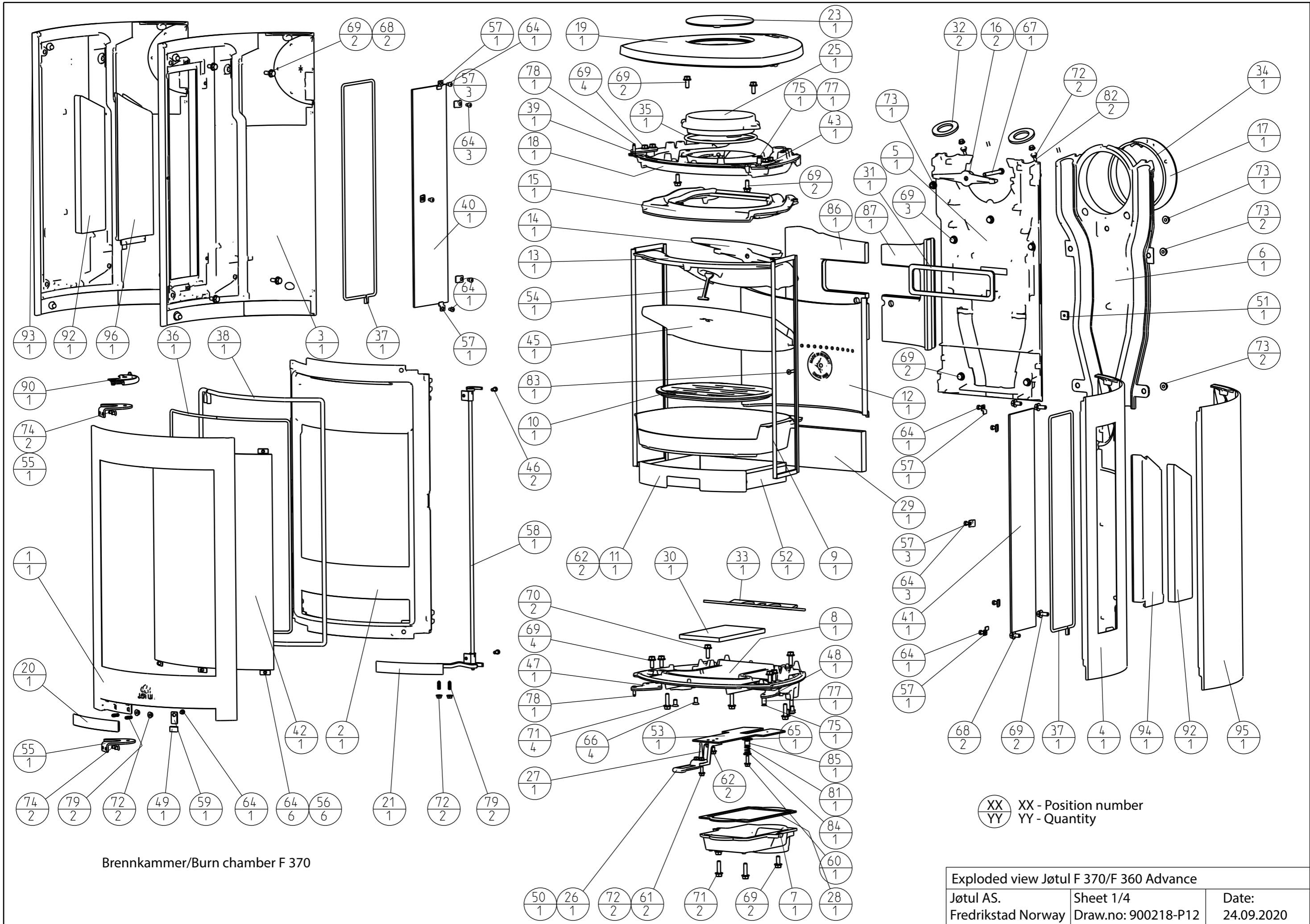


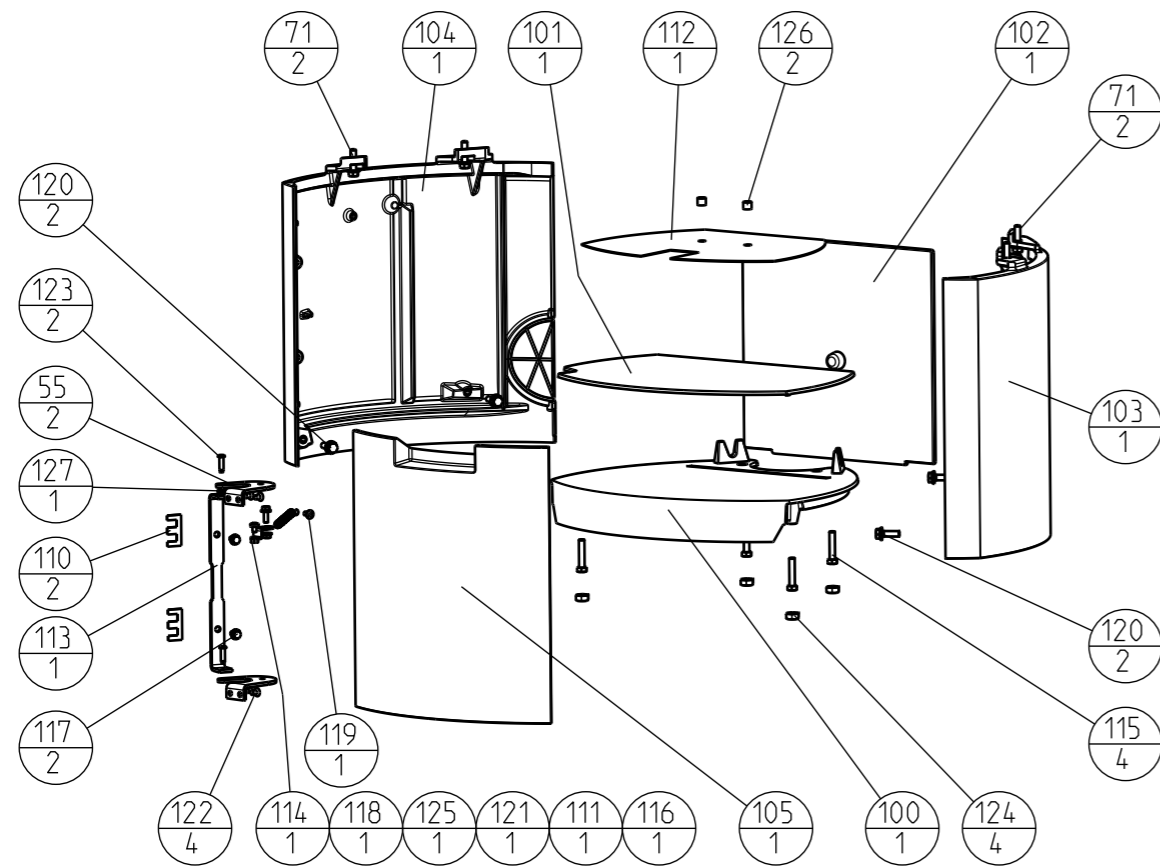
# Exploded view Jøtul F370/F 360 Advance



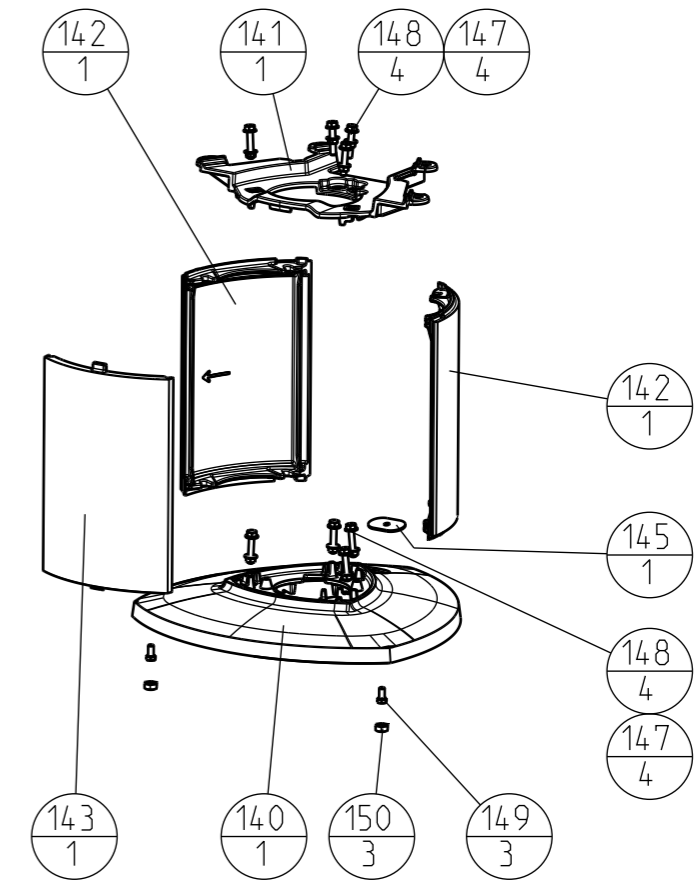
Brennkammer/Burn chamber F 370

Exploded view Jøtul F 370/F 360 Advance		
Jøtul AS. Fredrikstad Norway	Sheet 1/4 Draw.no: 900218-P12	Date: 24.09.2020

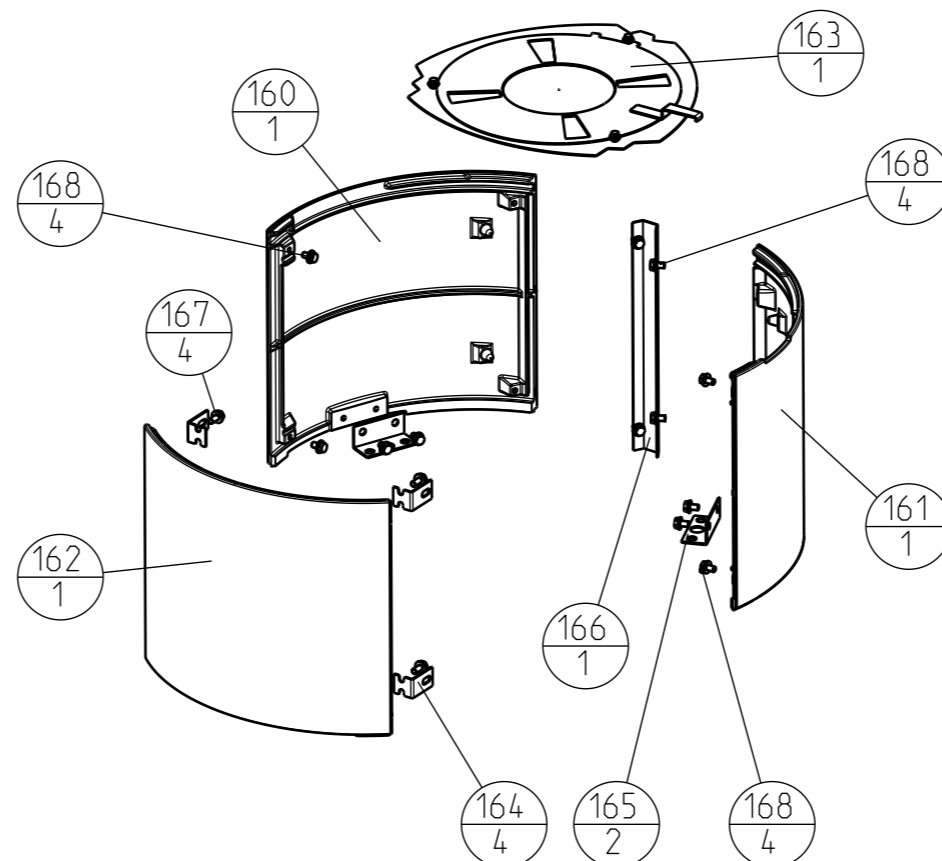
Sokkel/Base for: F 371 / F 377 / F 378



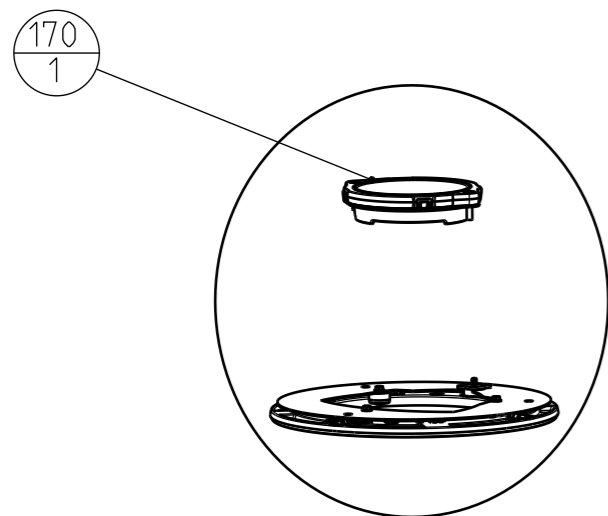
Søyle/Pedestal for: F 373



High Top for: F 371 / F 377 / F 378



Dreiesett/Revolving pedestal for F 373

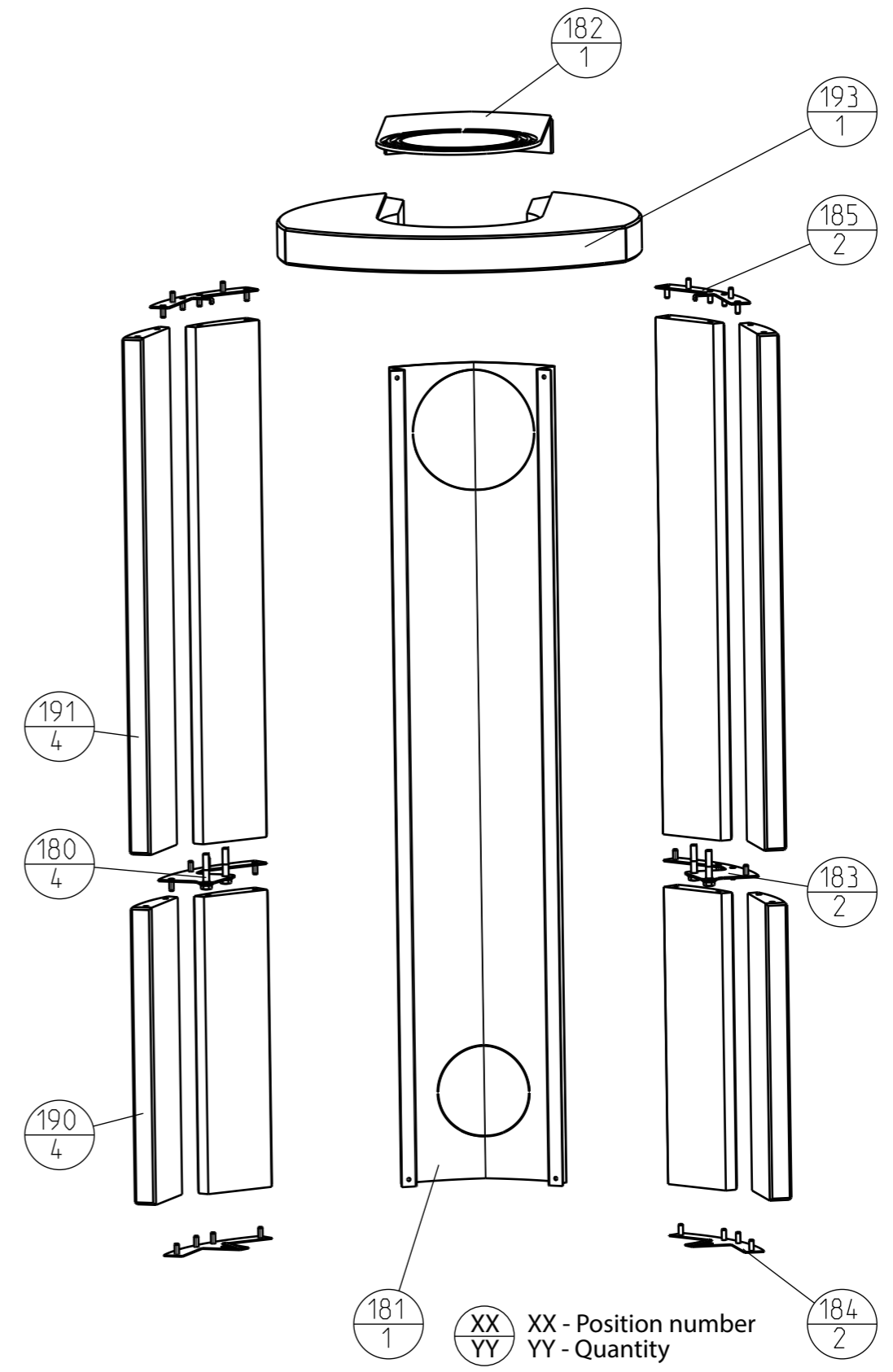
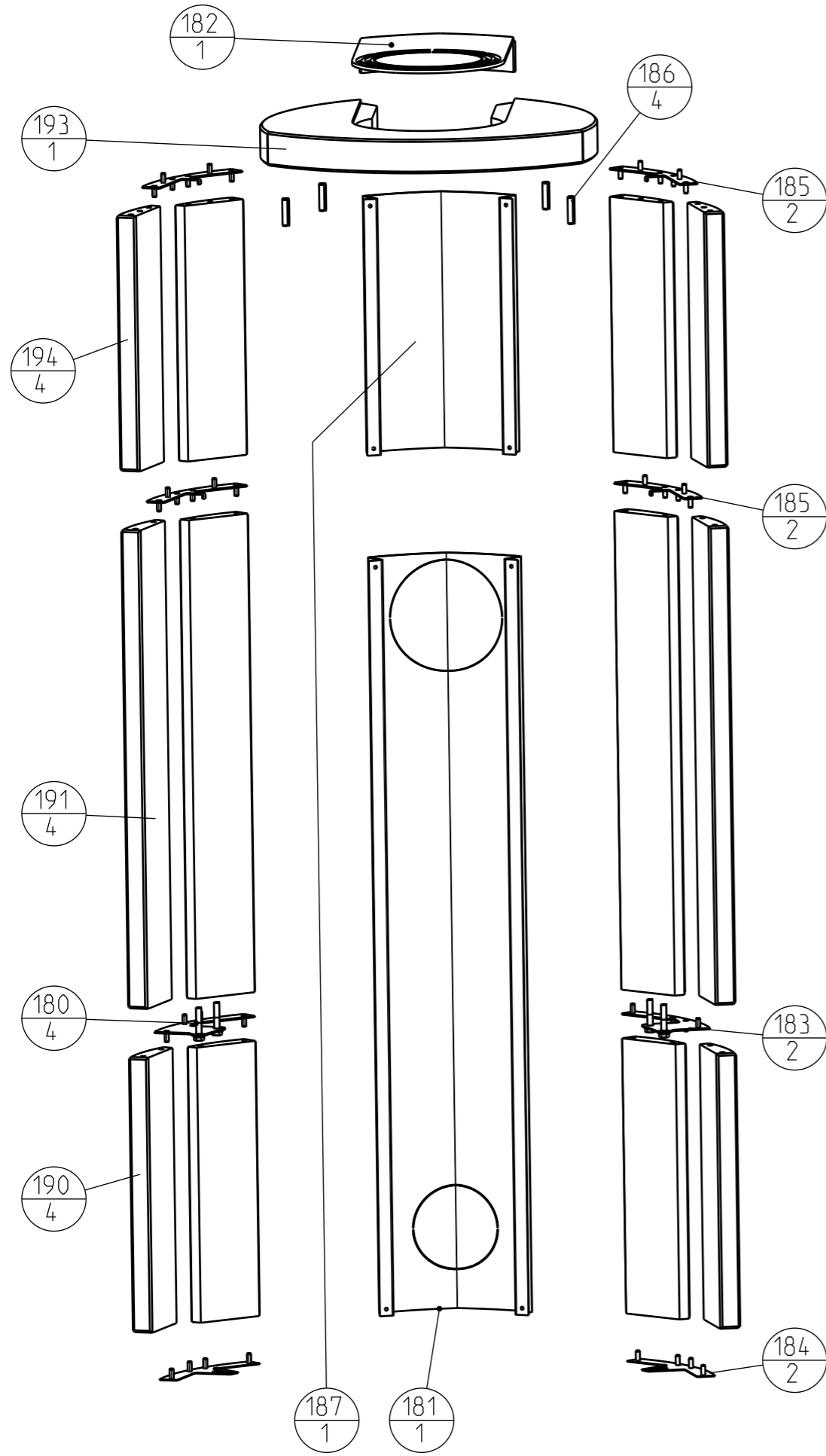


XX XX - Position number  
YY YY - Quantity

Exploded view Jøtul F 370/F 360 Advance		
Jøtul AS. Fredrikstad Norway	Sheet 2/4 Draw.no: 900218-P12	Date: 24.09.2020

Kleber/Soapstone F 370 Advance High Top

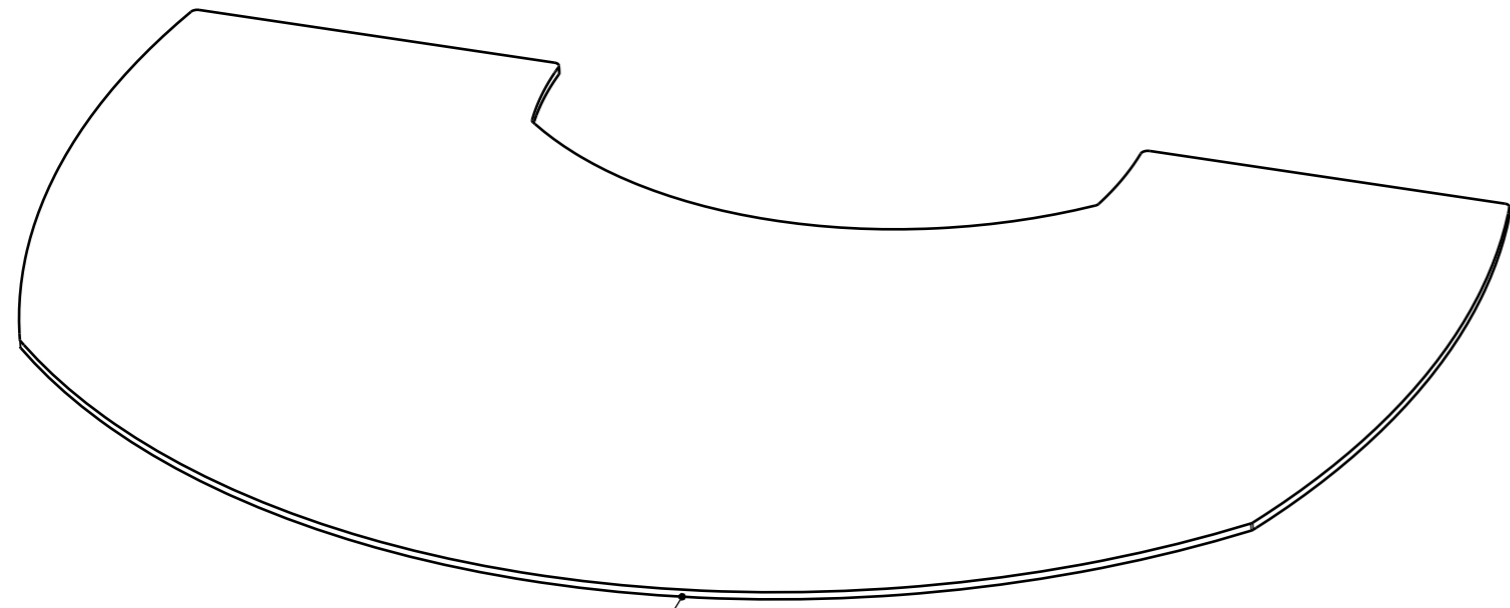
Kleber/Soapstone F 370 Advance



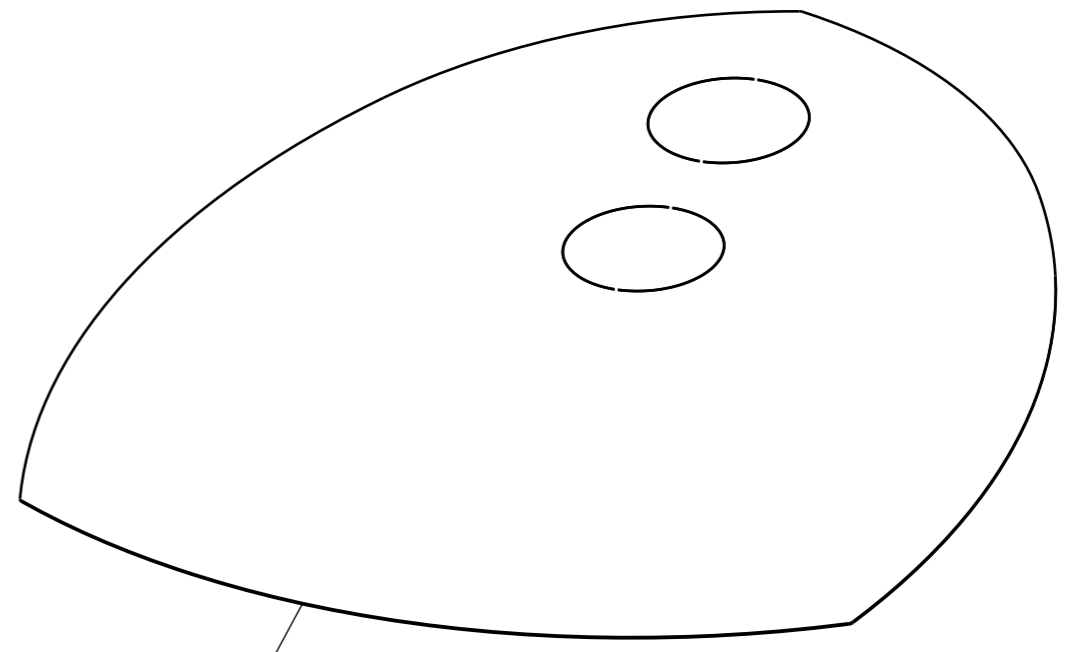
XX / YY XX - Position number  
 YY - Quantity

Exploded view Jøtul F 370/F 360 Advance		
Jøtul AS. Fredrikstad Norway	Sheet 3/4 Draw.no: 900218-P12	Date: 24.09.2020

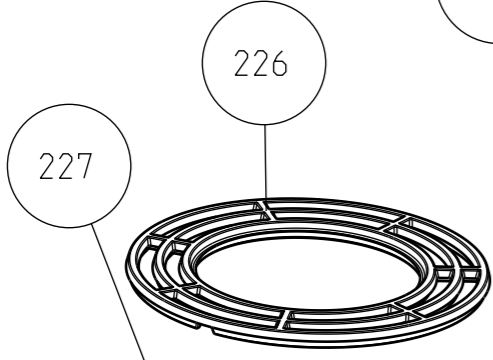
# F 370 Advance Tilleggsutstyr/Optional equipment



220

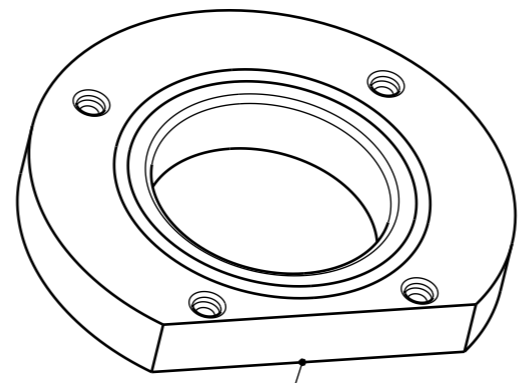


222

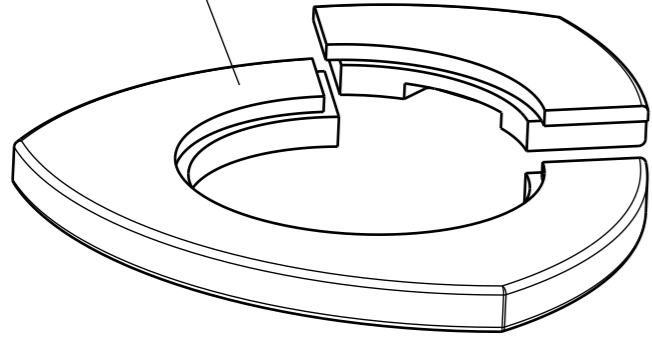


226

227



225



57

64

XX	XX - Position number
YY	YY - Quantity

Exploded view Jøtul F 370/F 360 Advance		
Jøtul AS. Fredrikstad Norway	Sheet 4/4 Draw.no: 900218-P12	Date: 24.09.2020