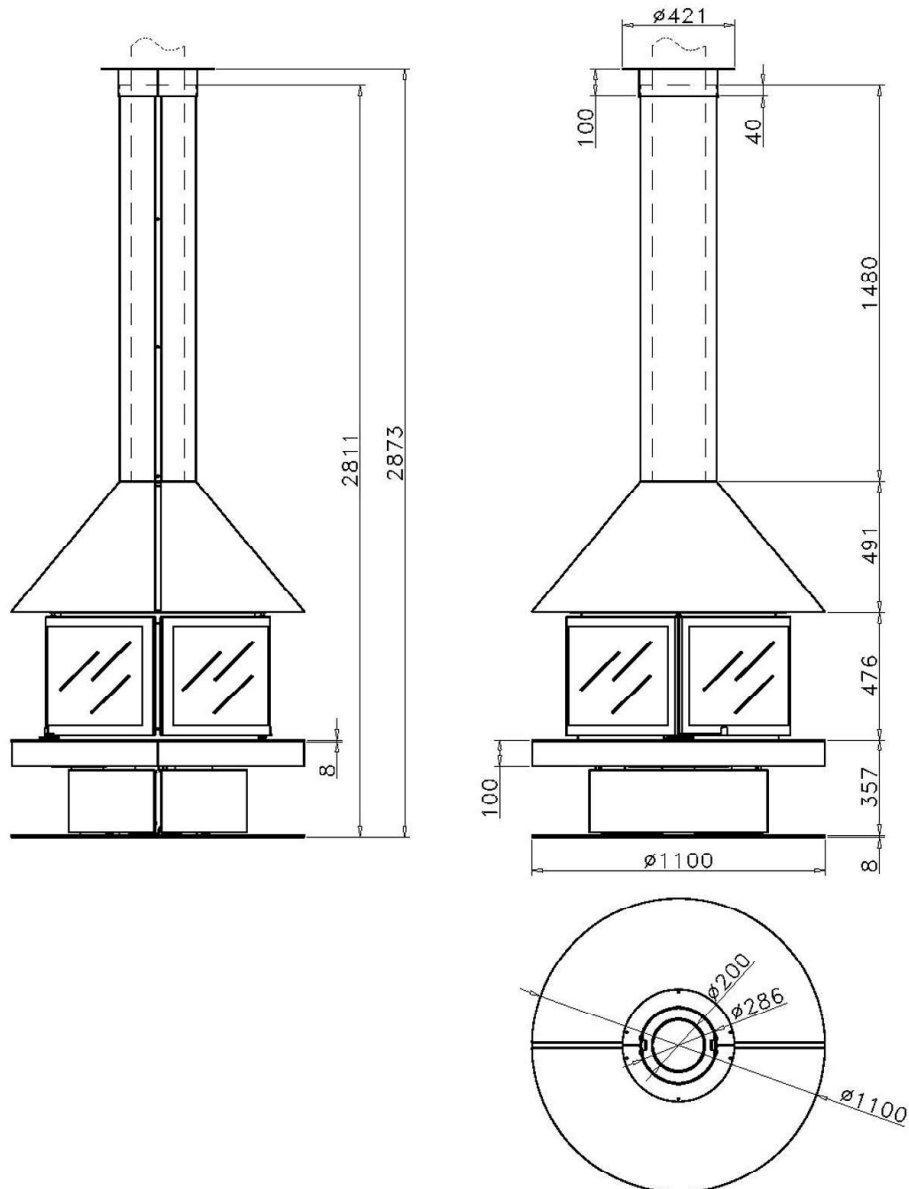




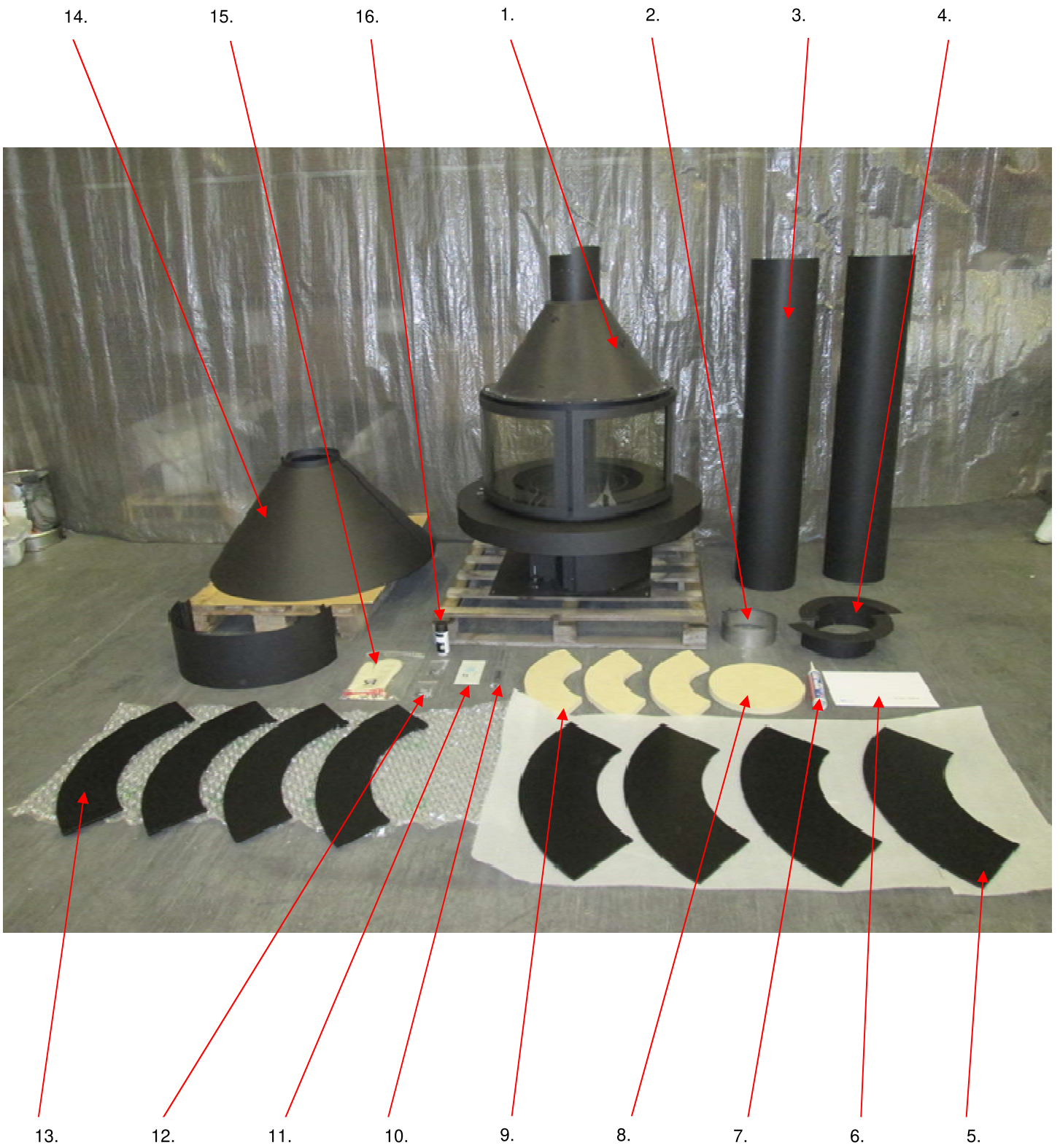
# GALA / PRUNE

ANEXO/ANNEX/ANNEXE/ANESSO

## I GALA

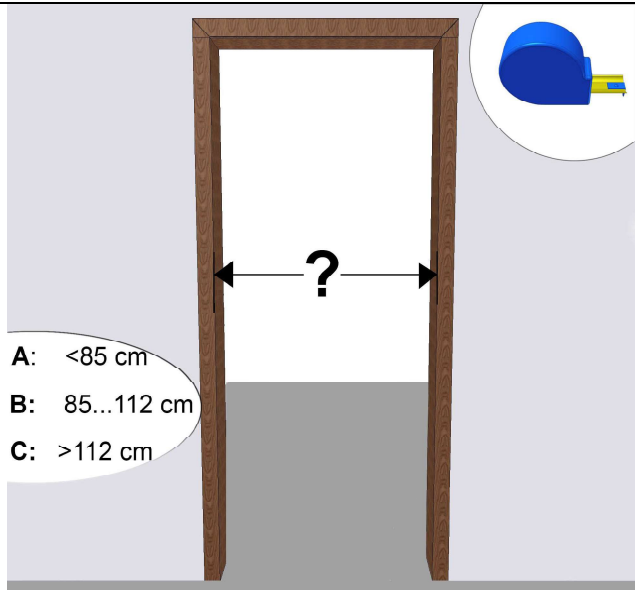


# II

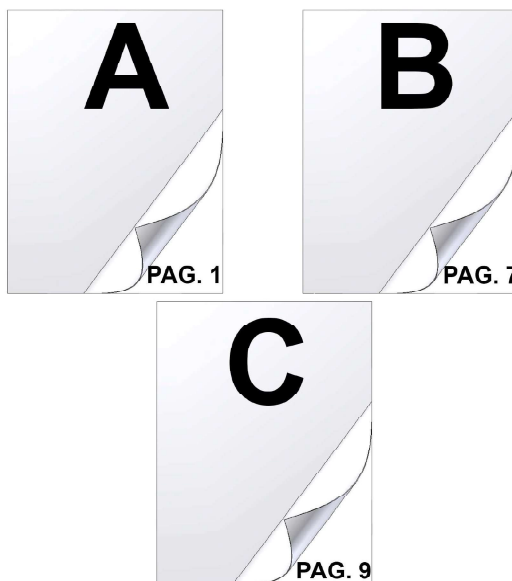


# III

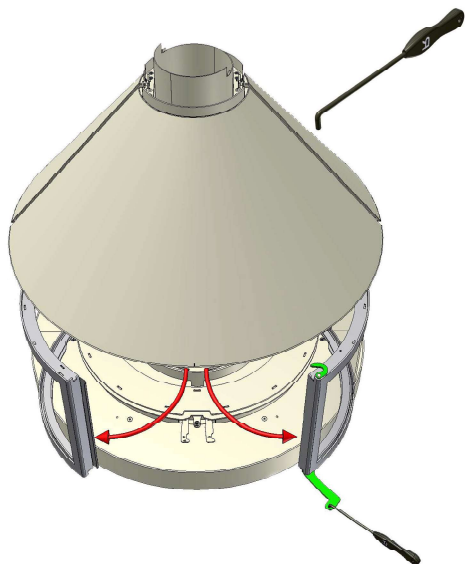
0.



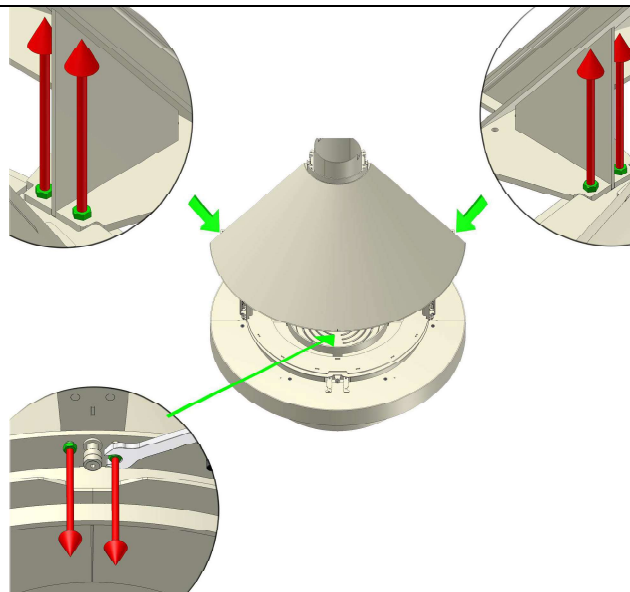
1.



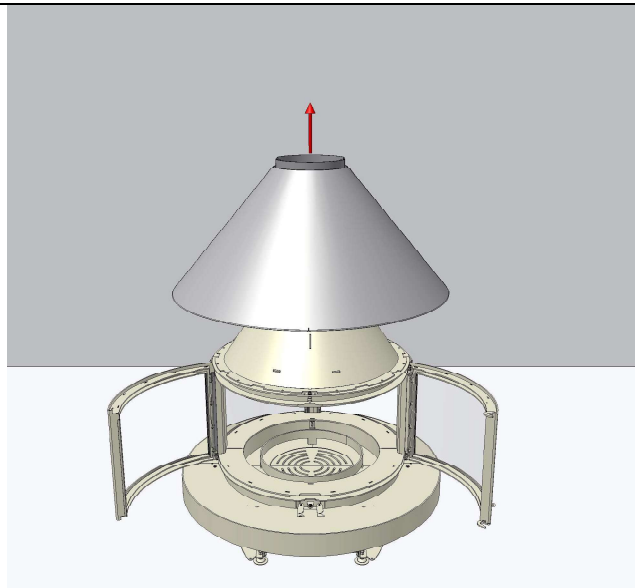
A.1



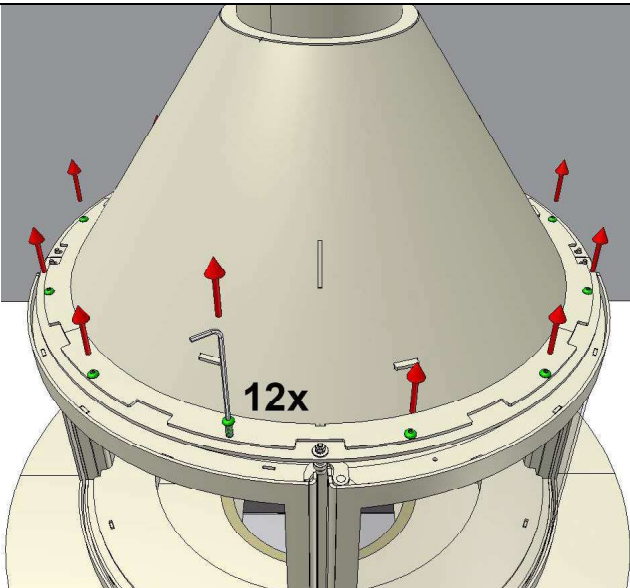
A.2



A.3

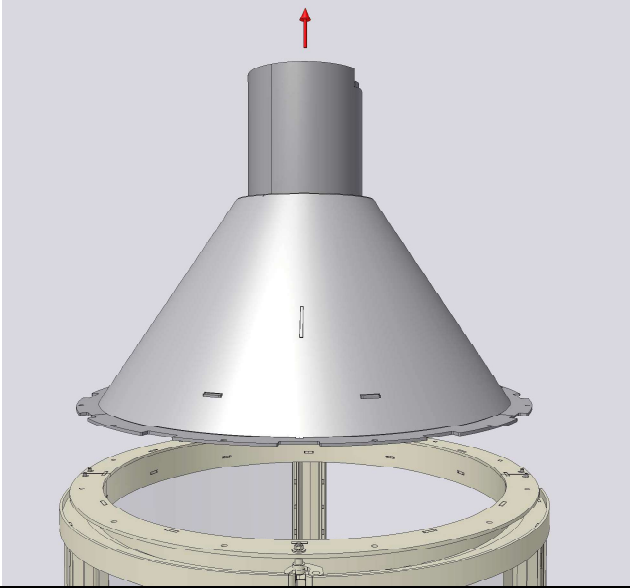


A.4

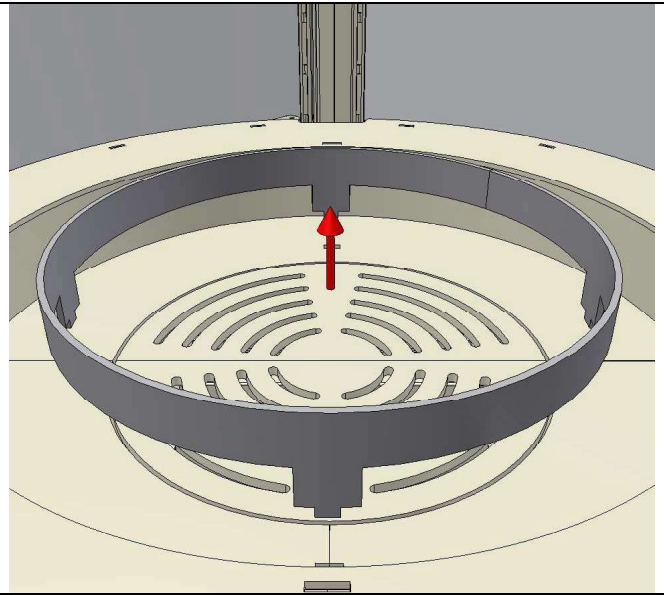


III

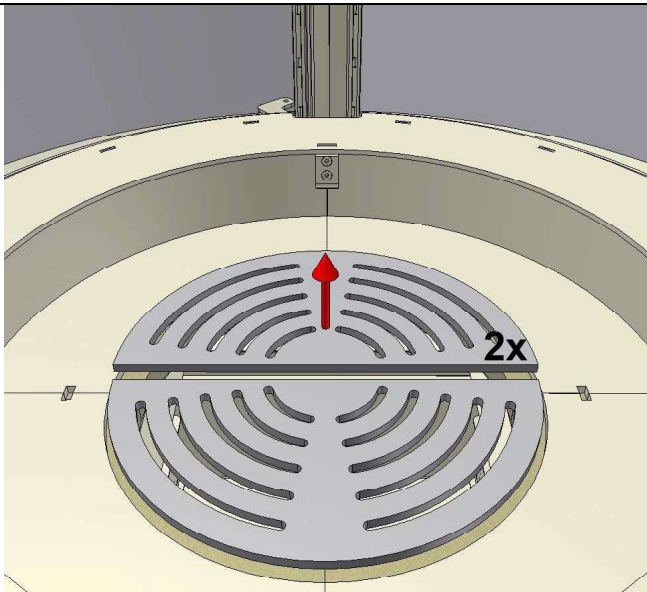
A.5



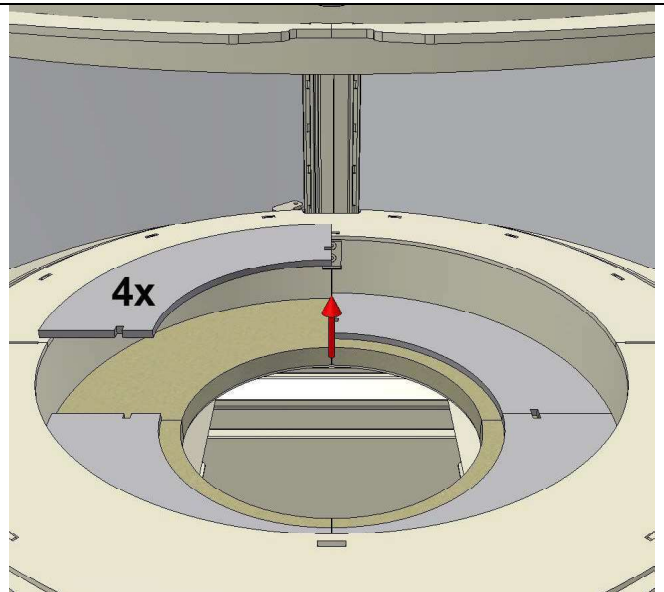
A.6



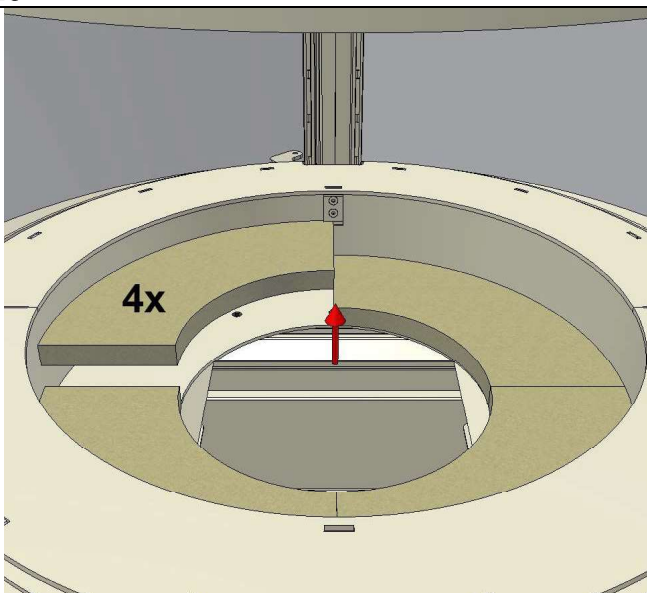
A.7



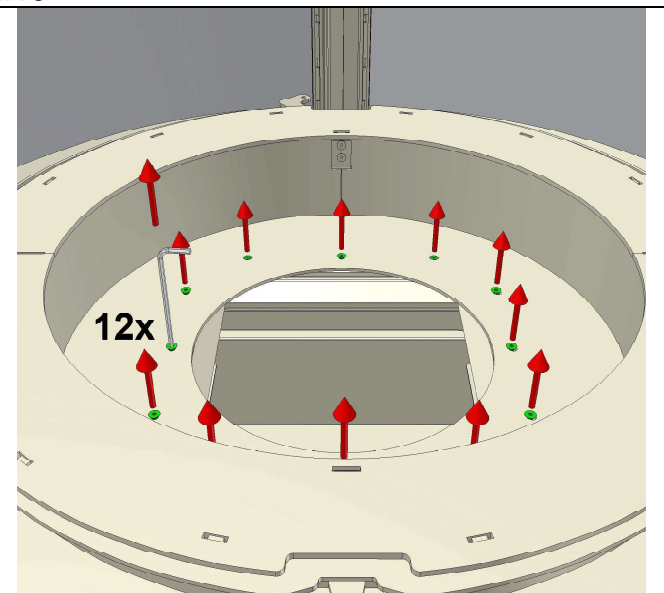
A.8



A.9



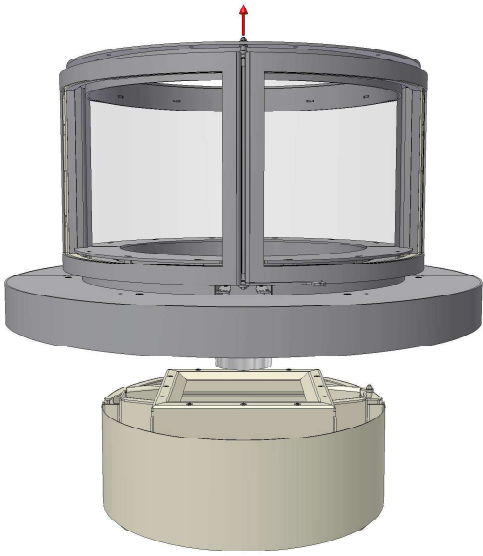
A.10



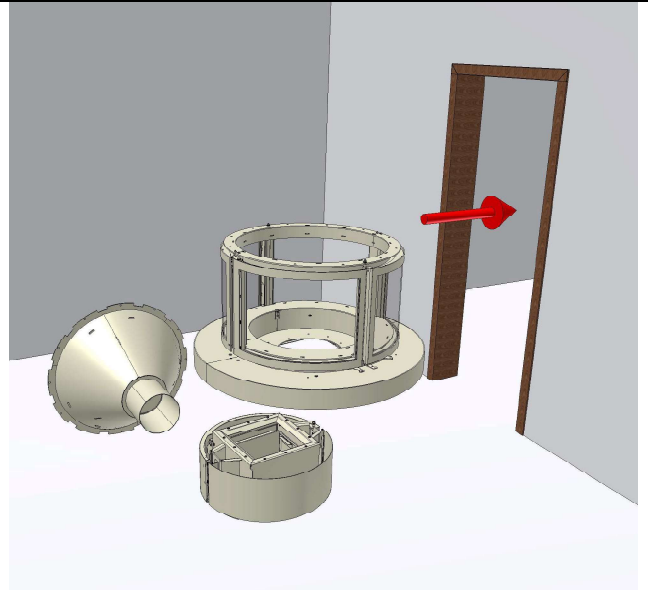


III

A.11



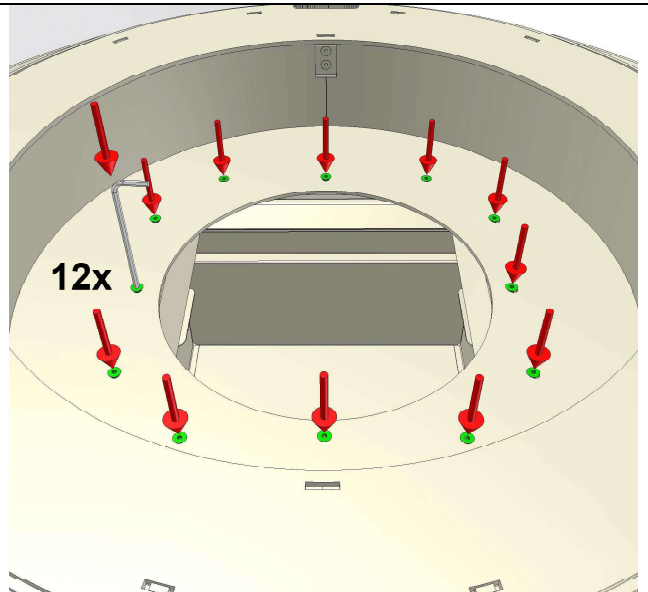
A.12



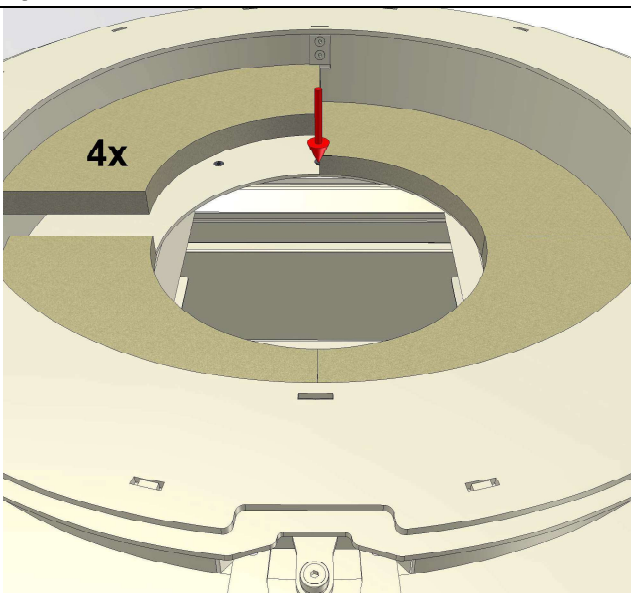
A.13



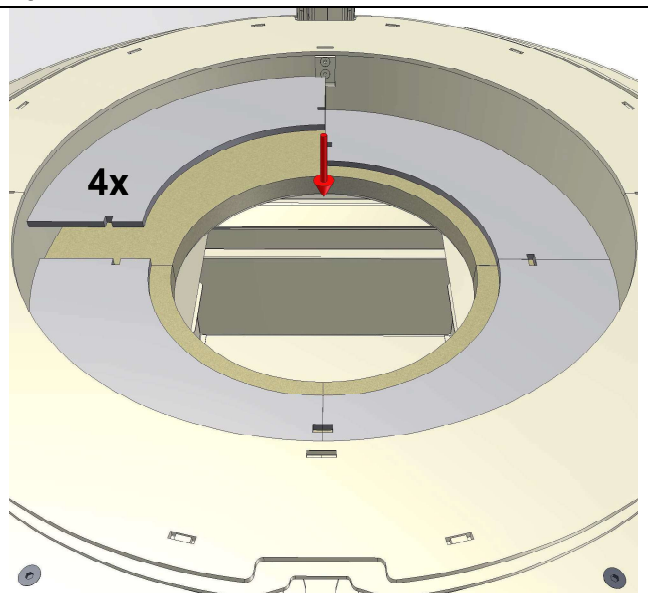
A.14



A.15

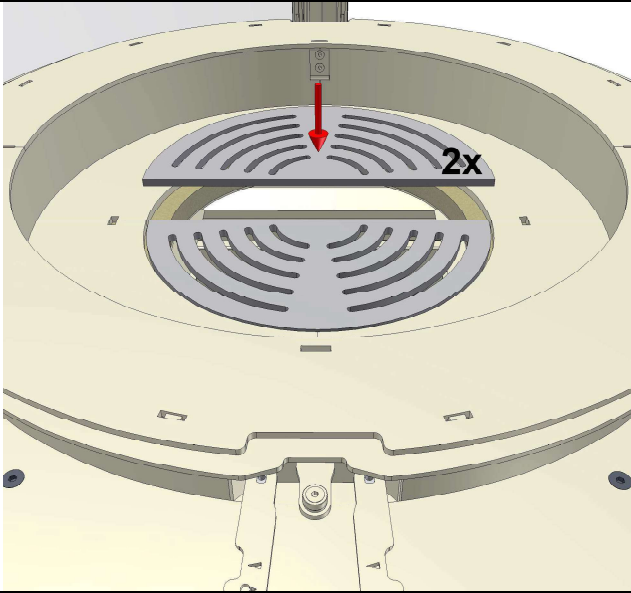


A.16

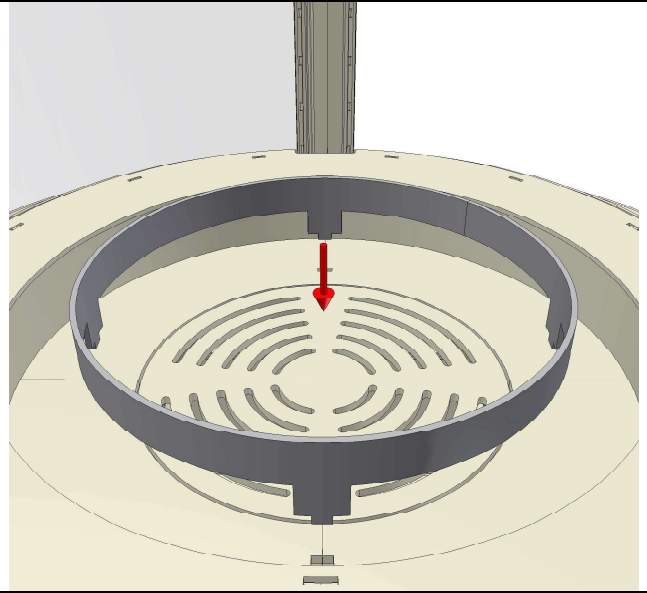


### III

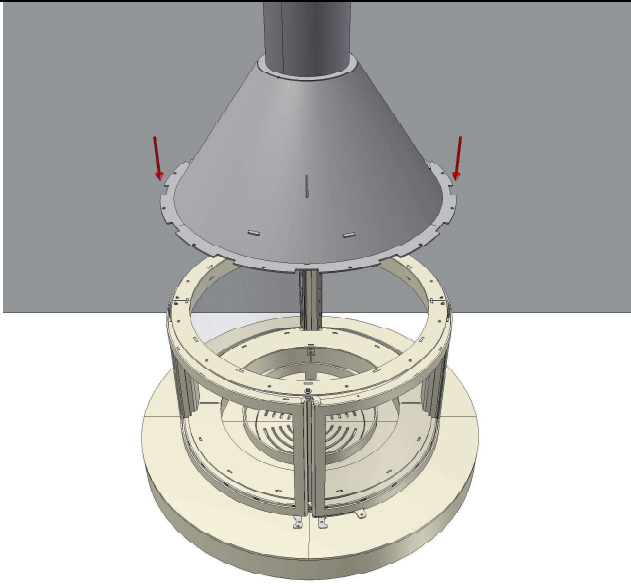
A.17



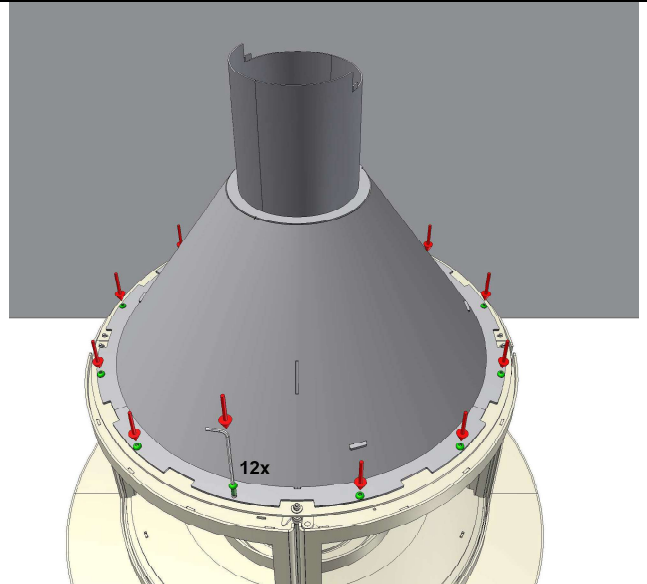
A.18



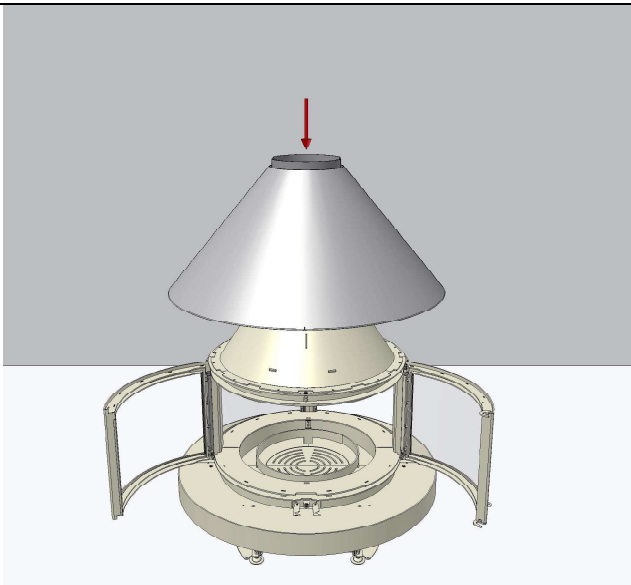
A.19



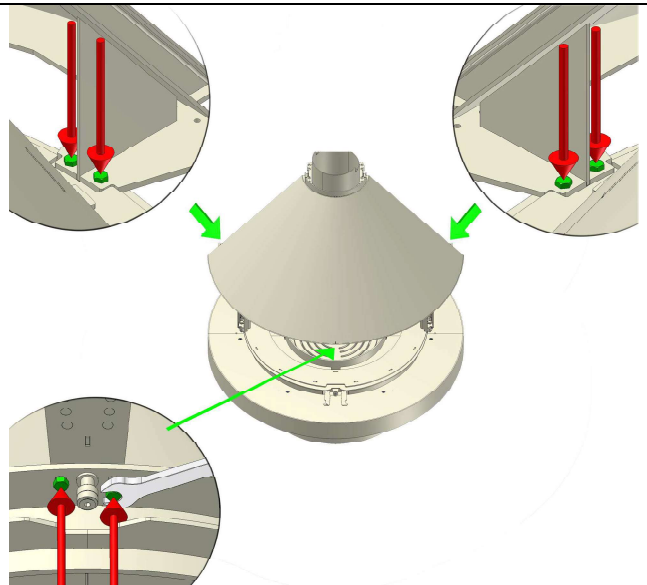
A.20



A.21



A.22

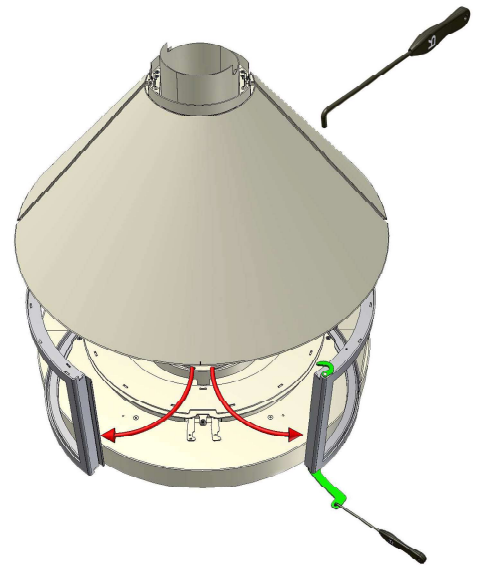


# III

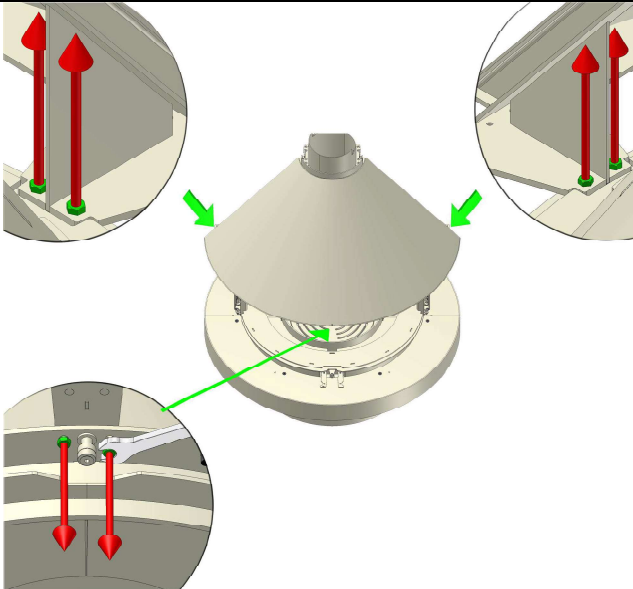
A.23



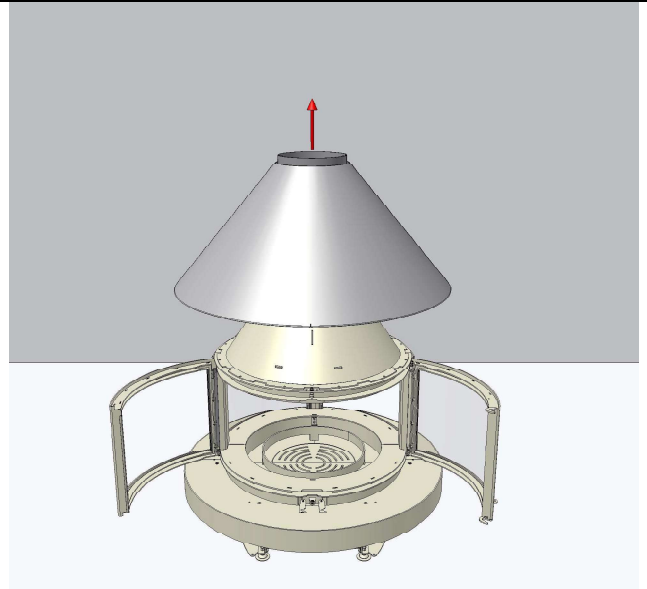
B.1



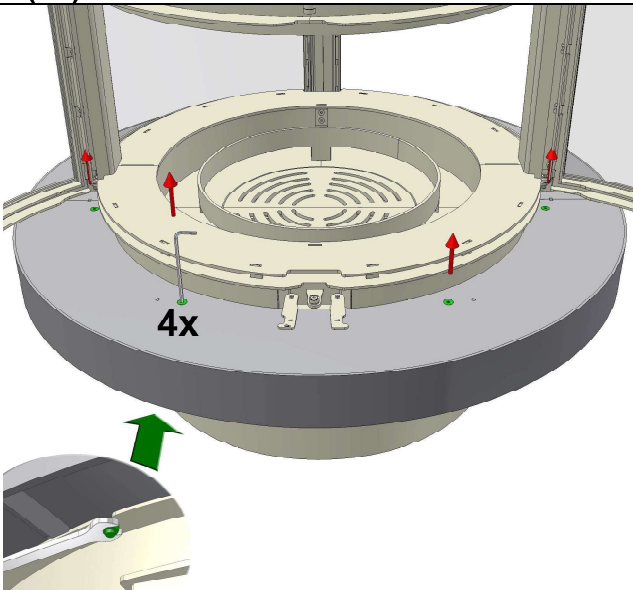
B.2



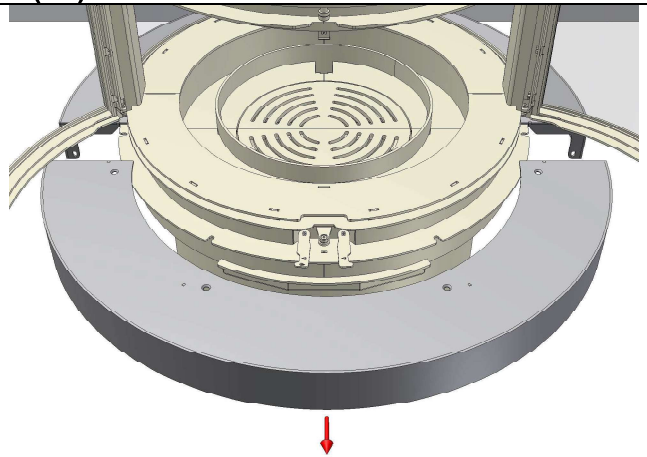
B.3



B.4 (2x)

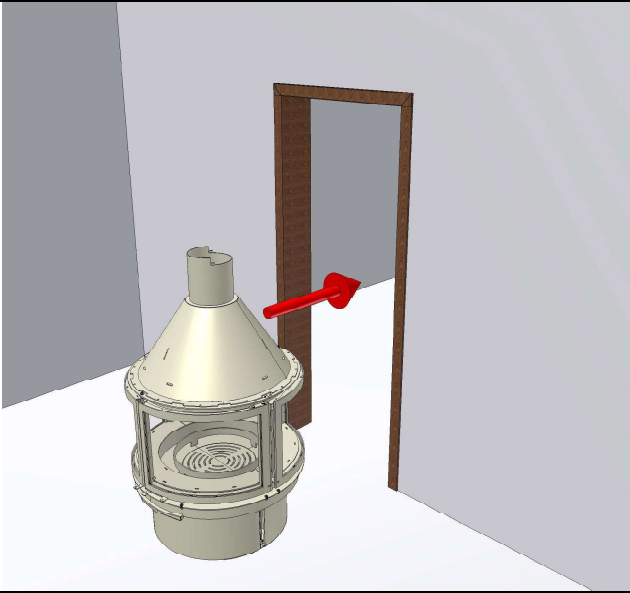


B.5 (2x)

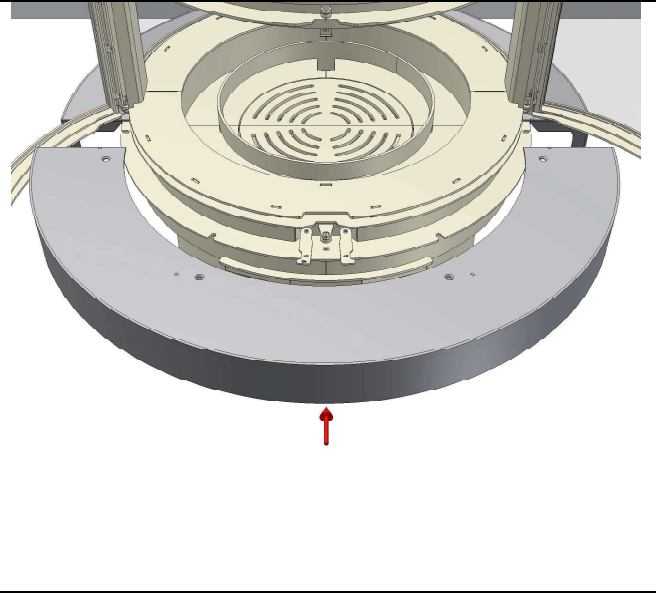


# III

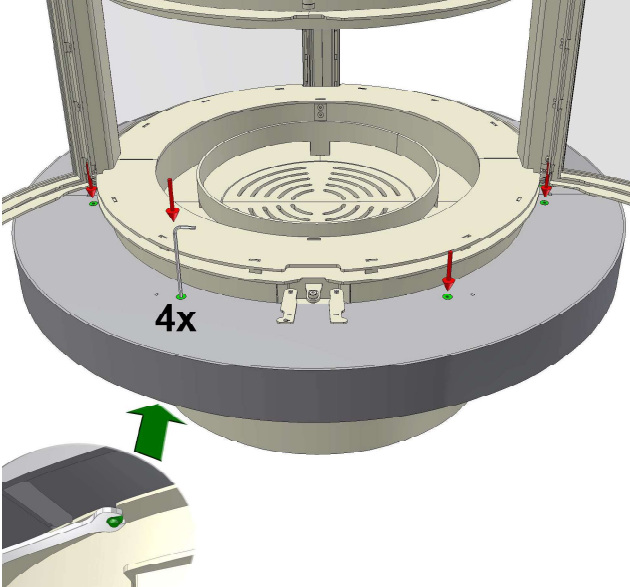
B.6



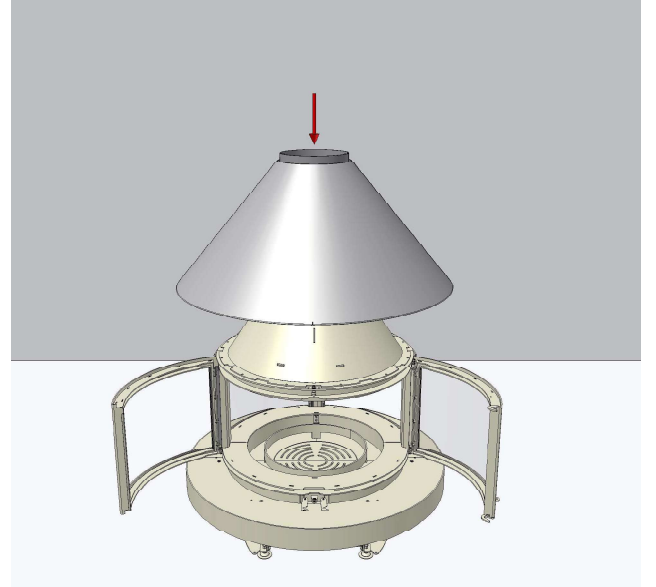
B.7 (2x)



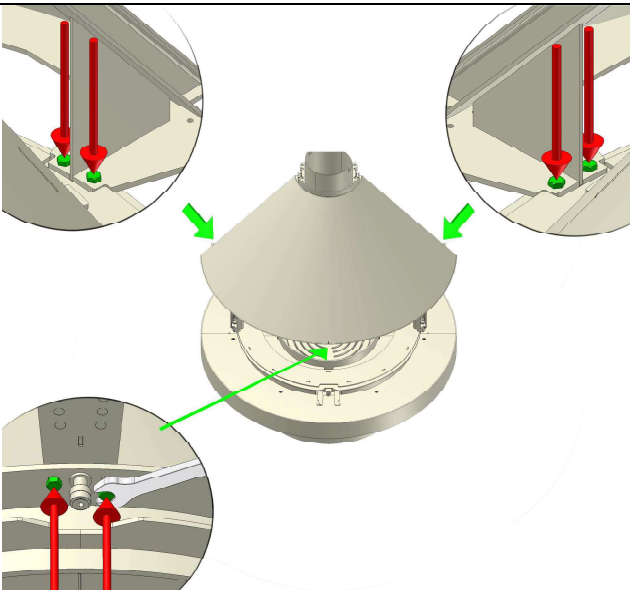
B.8 (2x)



B.9



B.10



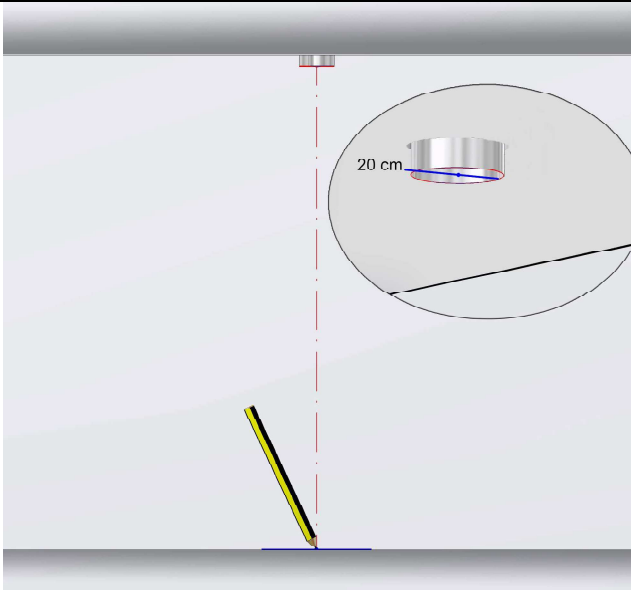
B.11



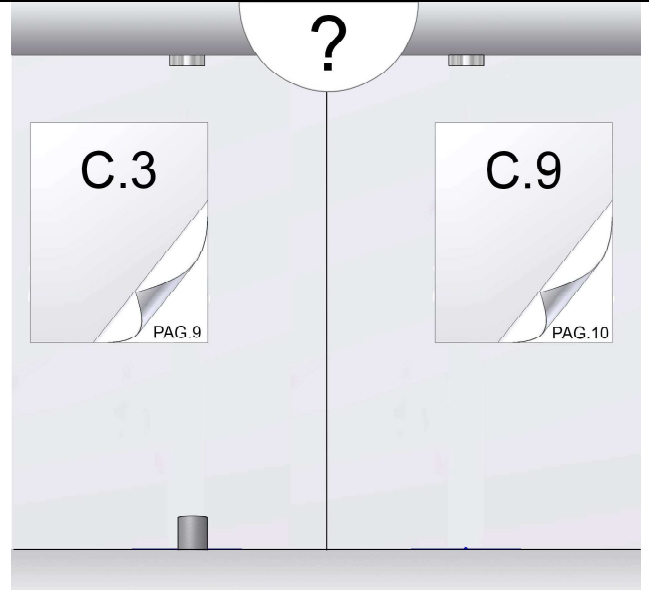


# III

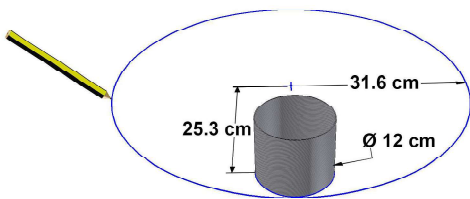
C.1



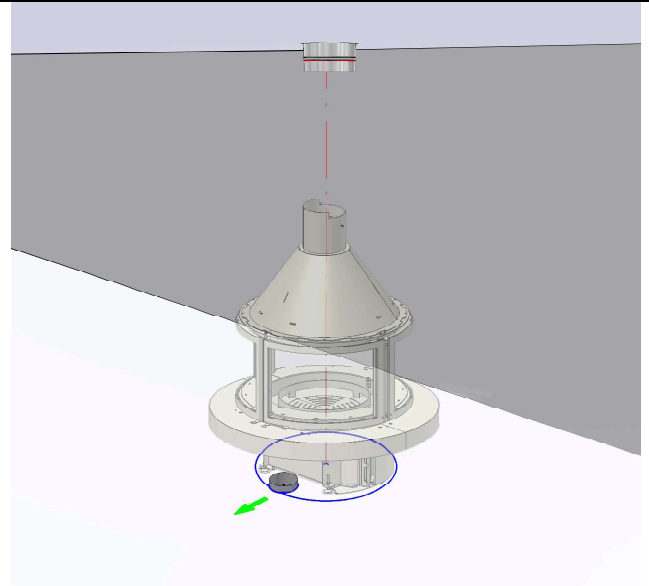
C.2



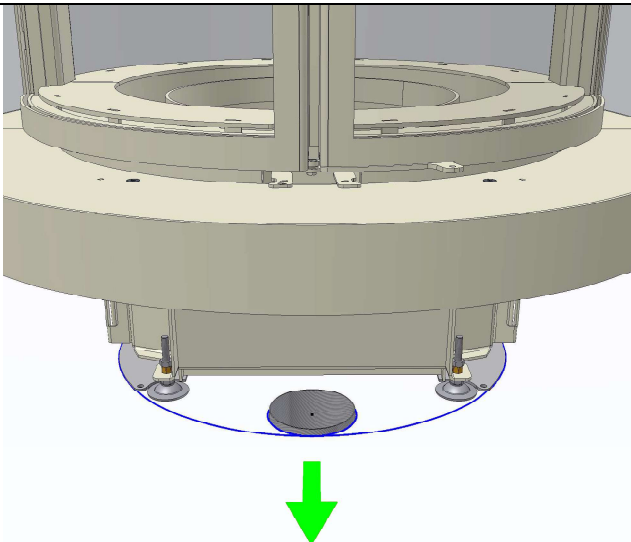
C.3



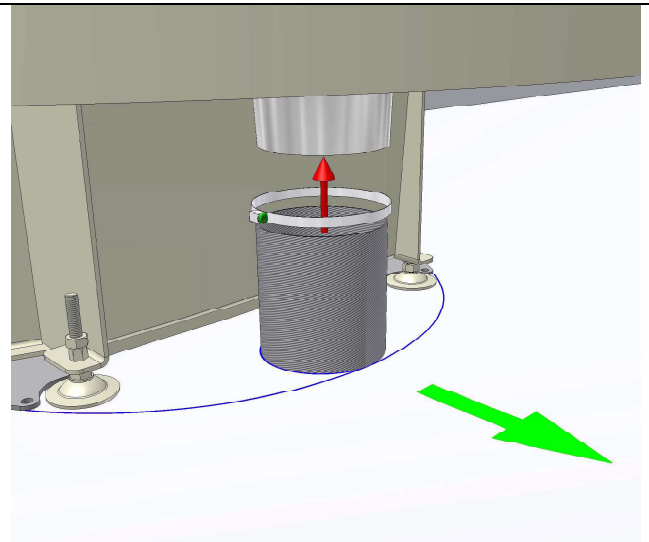
C.4



C.5

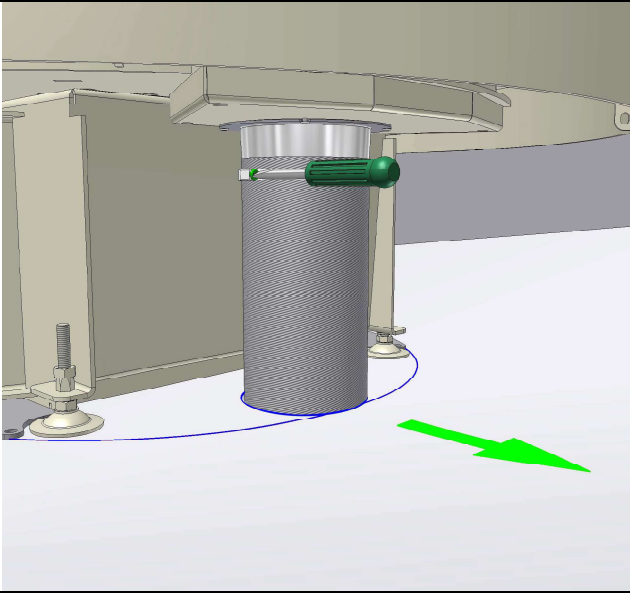


C.6

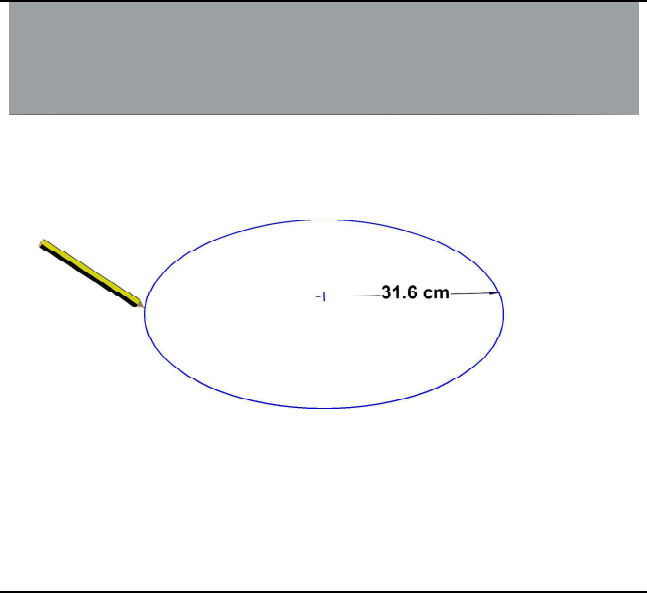


# III

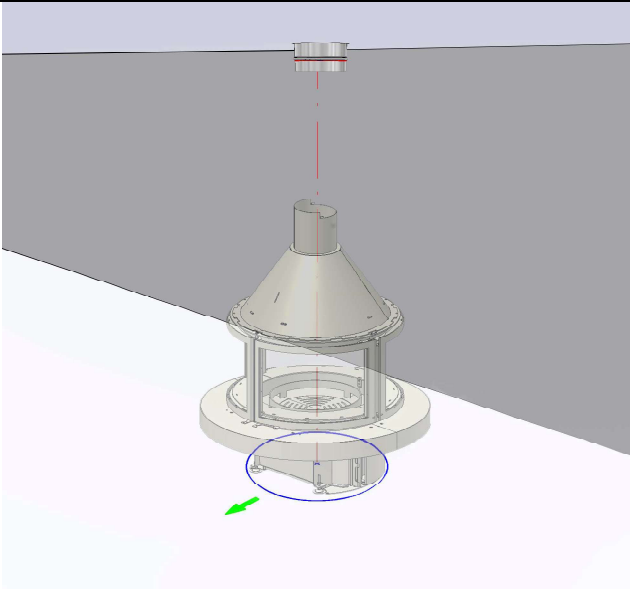
C.7



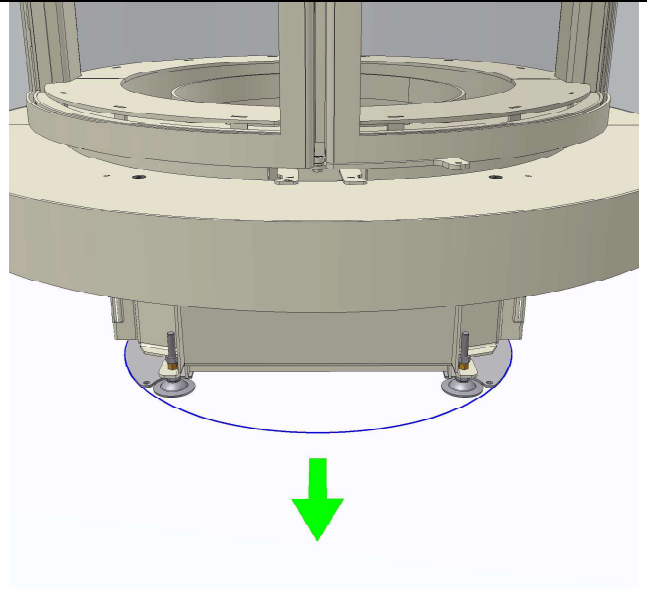
C.8



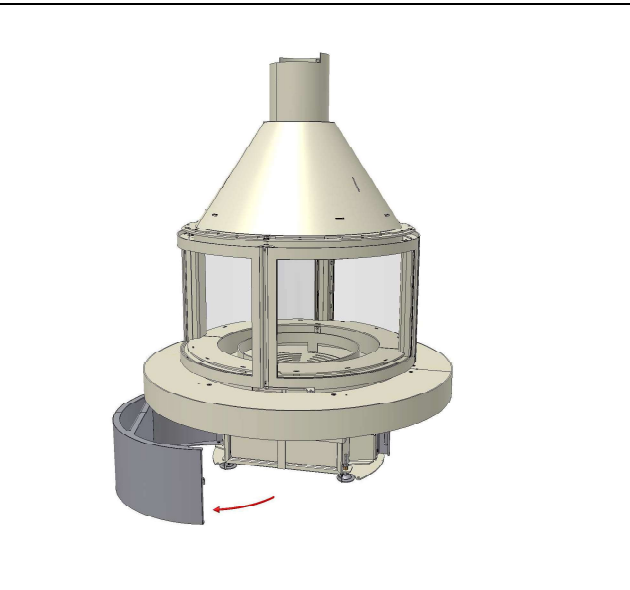
C.9



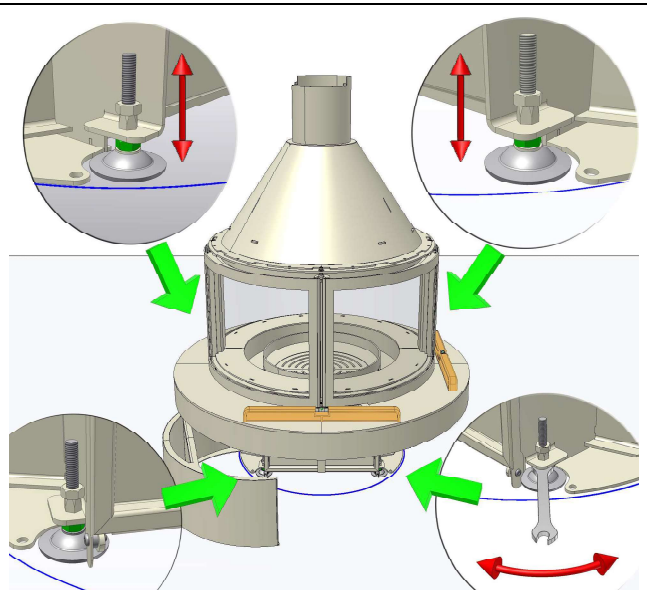
C.10



C.11

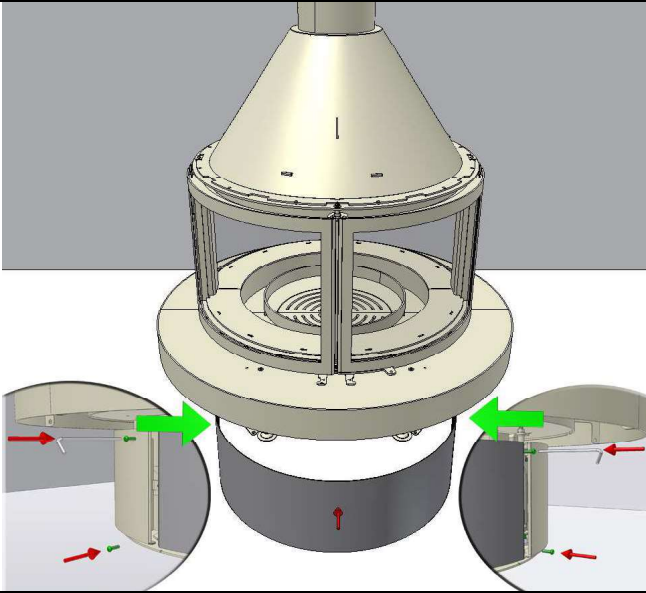


C.12

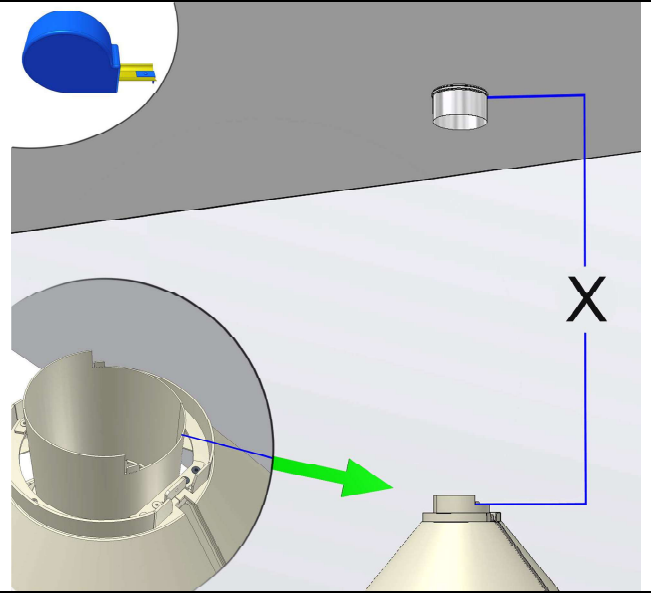


# III

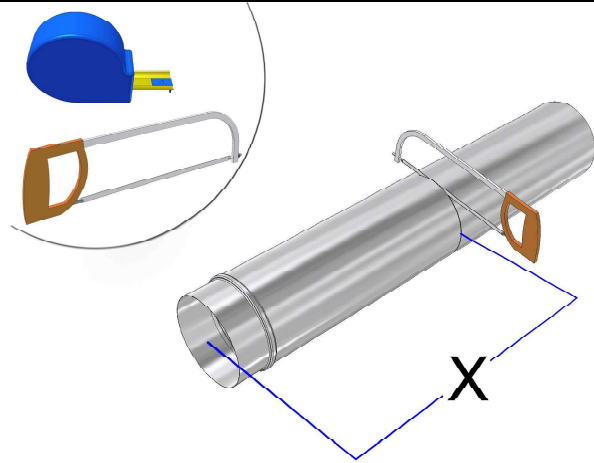
C.13



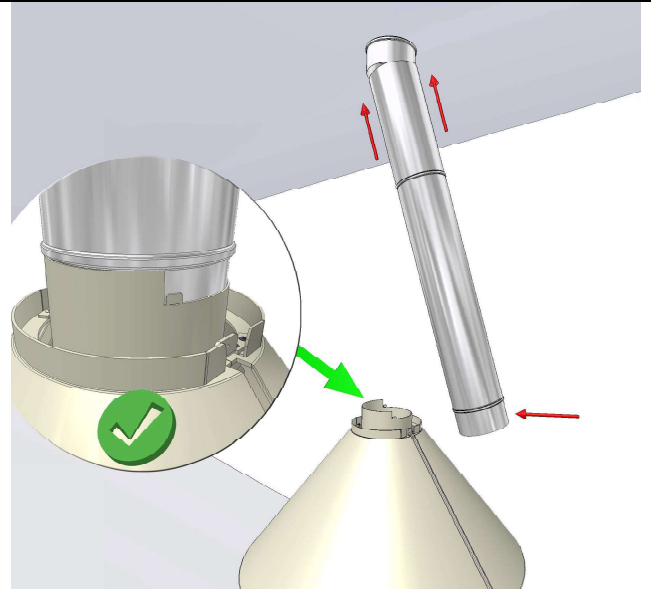
C.14



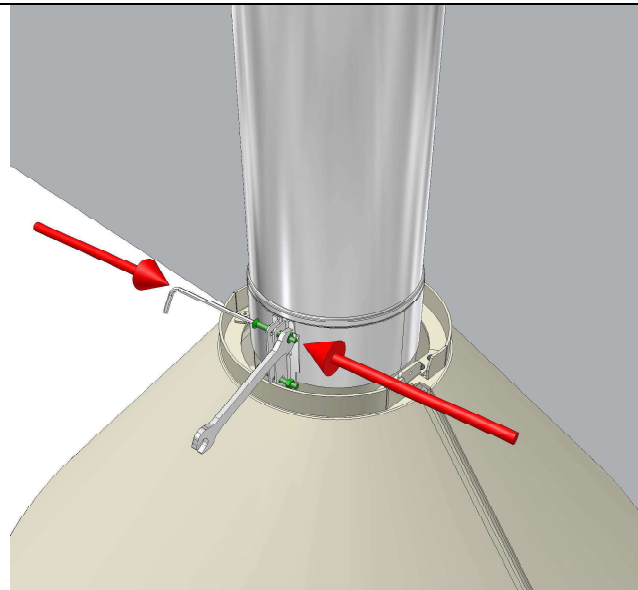
C.15



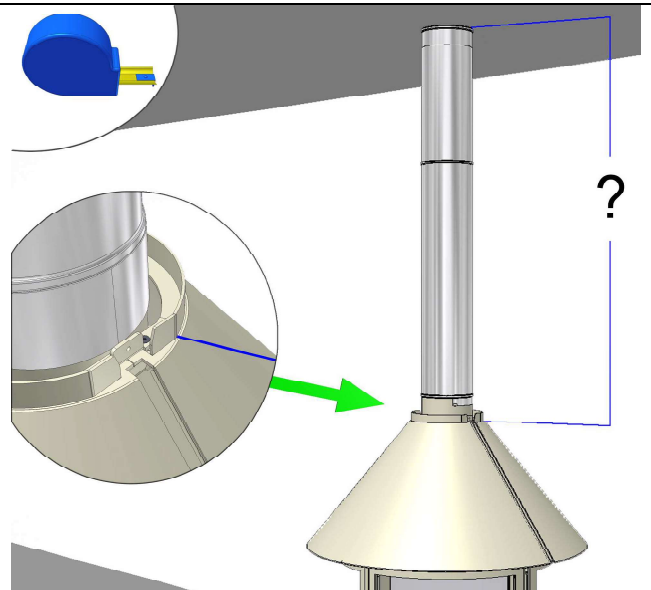
C.16



C.17

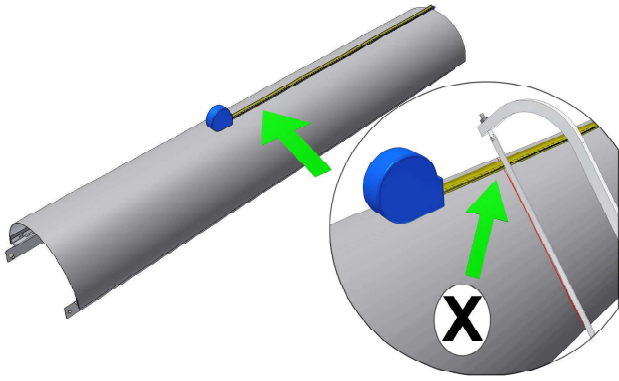


C.18



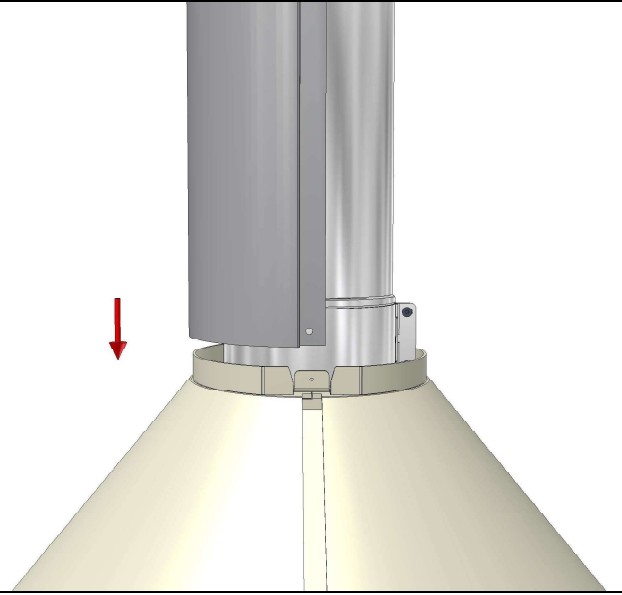
# III

C.19 (2x)

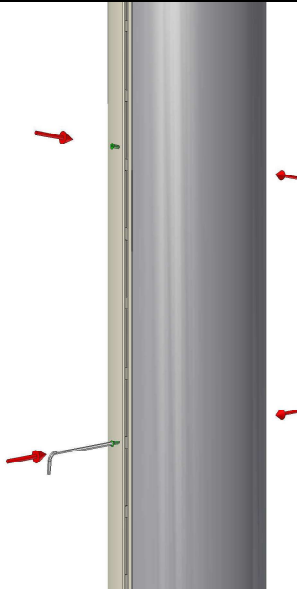


$$X = ? - 4 \text{ cm}$$

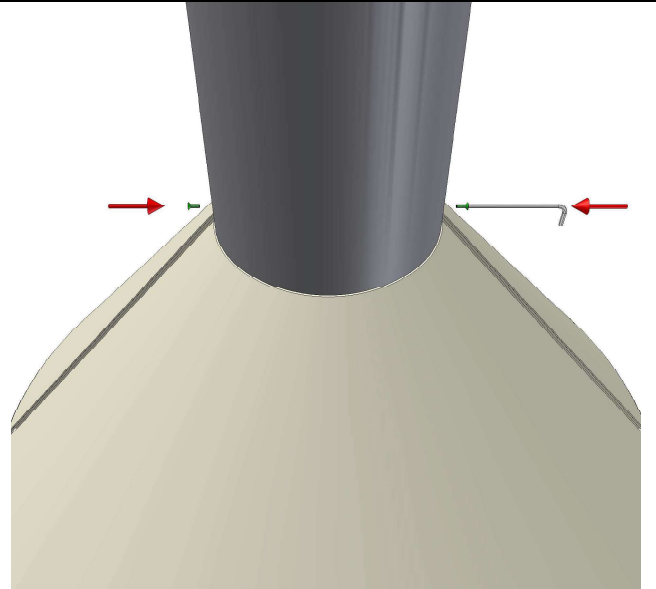
C.20



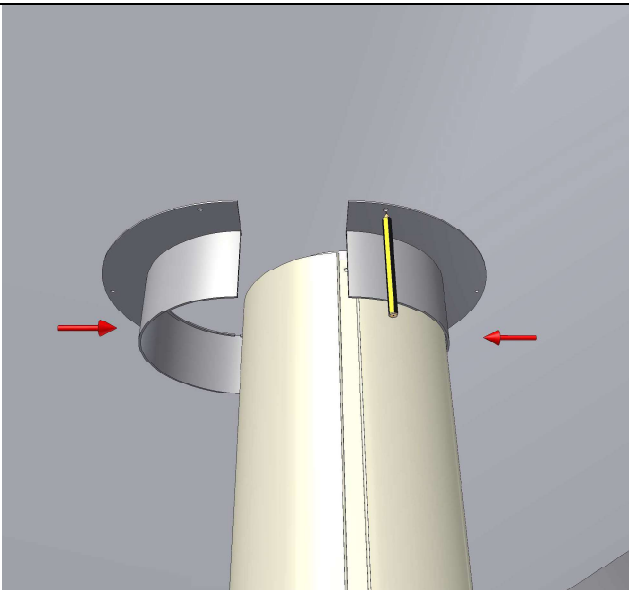
C.21



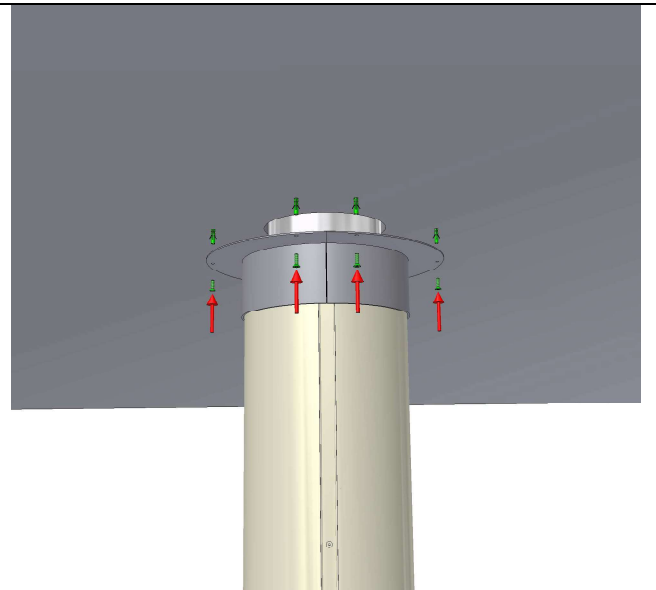
C.22



C.23



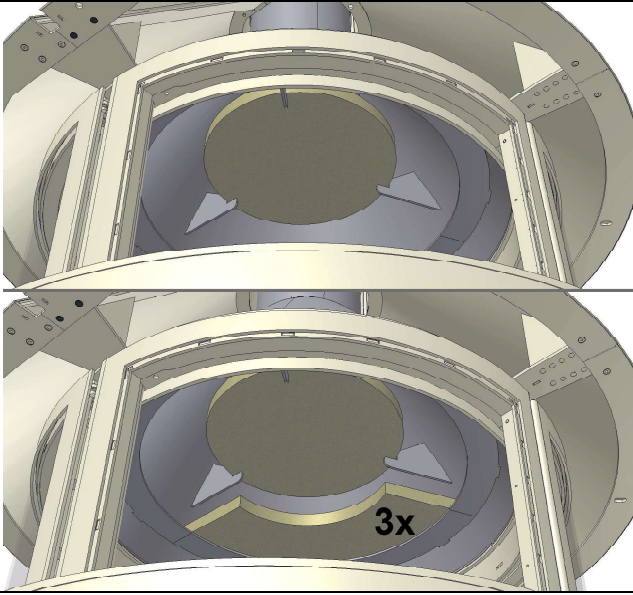
C.24



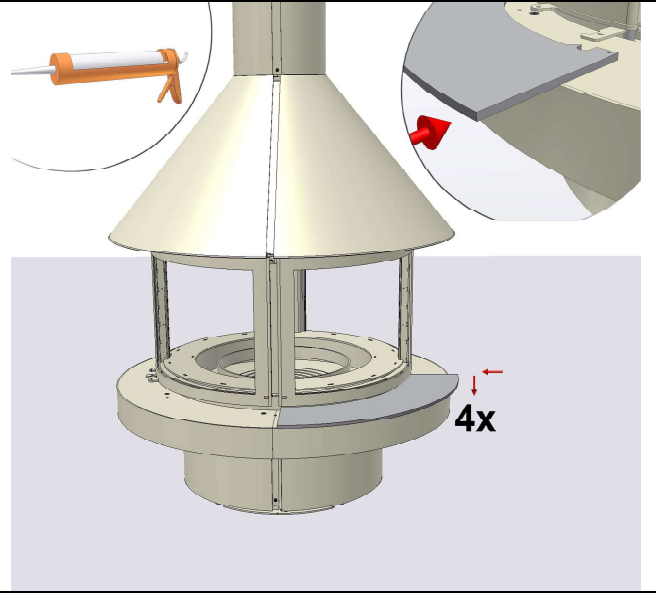


# III

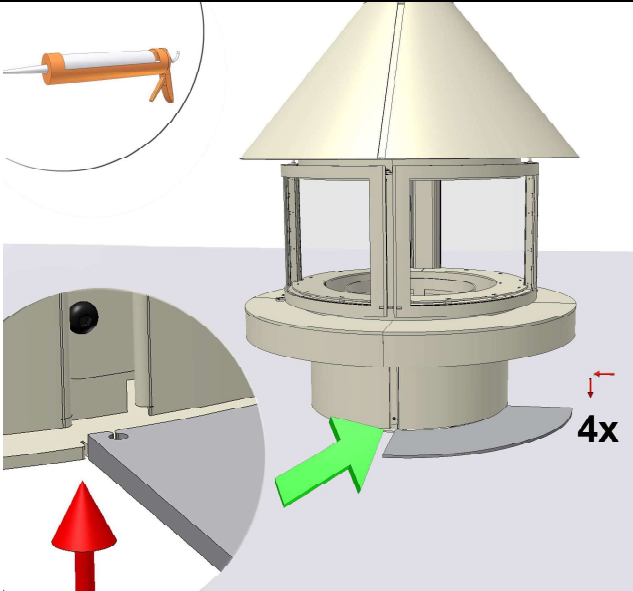
C.25



C.26



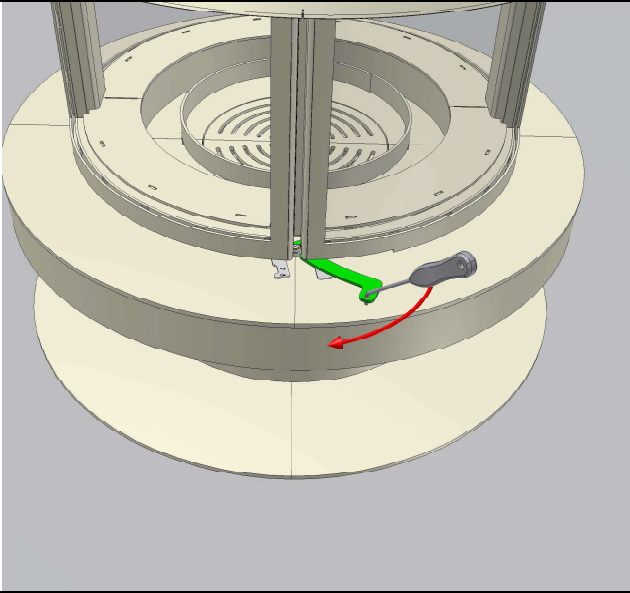
C.27



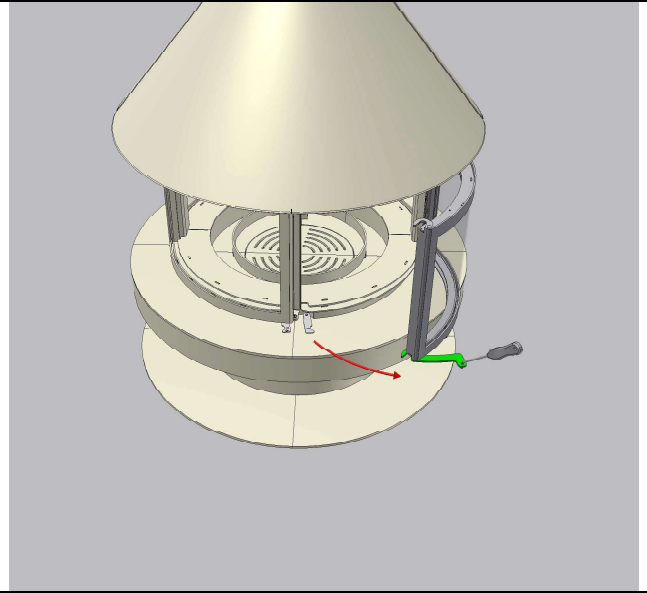
C.28

# IV

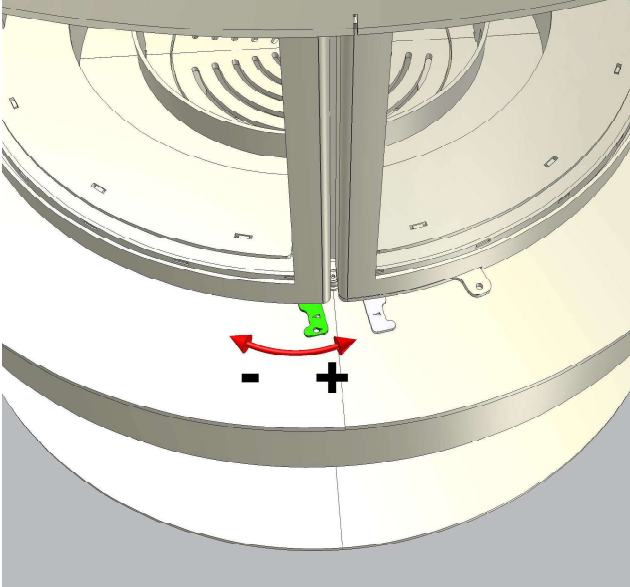
E.1



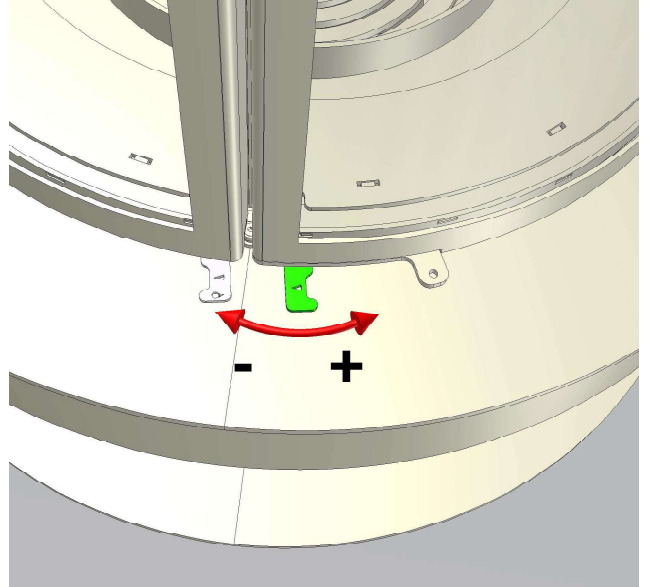
E.2



E.3



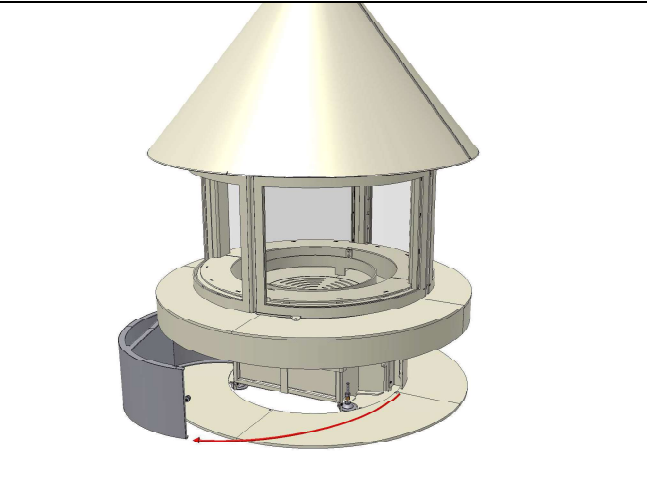
E.4



E.5

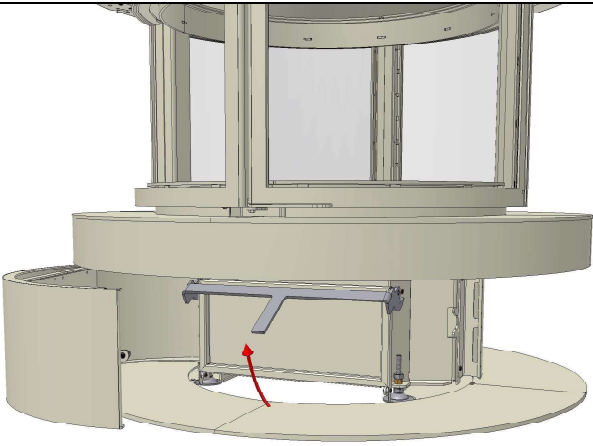


E.6

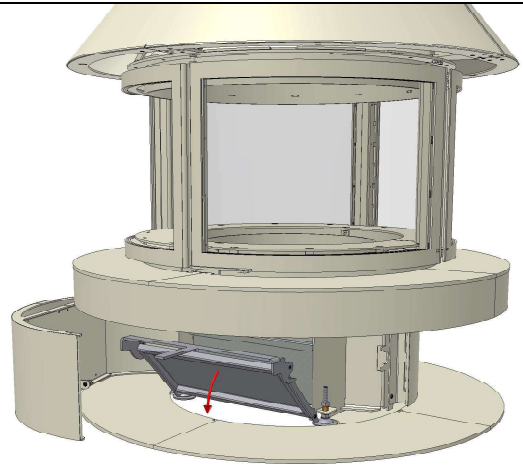


# IV

E.7



E.8



V

