



Metro 200XT RCH Metro 200XT Tunnel RCH

G20/G25/G25.3 (Natural gas), G31-PowerVent® (Propane)



Installation manual

Store this document in a safe place



Scan this QR-Code
for DRU Video Assist.



959.100.08.EN
DRU-686484-EN-US-1124-11

Contents

1. Introduction
 2. CE declaration
 3. SAFETY
 - 3.1 General
 - 3.2 Regulations
 - 3.3 Precautions / safety instructions at installation
 - 3.4 Principle of ignition cycle
 4. Removing the packaging
 5. Installation
 - 5.1 Type of gas
 - 5.2 Gas connection
 - 5.3 Electric connection
 - 5.4 Placing the appliance
 - 5.5 Placing a built-in appliance
 - 5.6 Placing the chimney breast
 - 5.7 Placing the control hatch
 - 5.8 Concentric system
 - 5.9 Connection to an existing chimney (C91)
 - 5.10 Additional instructions
 - 5.11 Construction frame
 - 5.12 Glass panes
 - 5.13 Adjustment of the appliance
 - 5.14 Placing the wood, pebble and broken glass sets
 6. Control
 - 6.1 Remote controls
 - 6.2 Alternative controls
 7. Final inspection
 - 7.1 Gastightness
 - 7.2 Gas pressure/line-pressure
 - 7.3 Ignition main burner
 - 7.4 Flame picture
 8. Maintenance
 - 8.1 Parts
 9. Delivery
 10. Malfunctions
- Appendix 1 Malfunctions
Appendix 2 Tables
Appendix 3 Figures

1. Introduction

DRU, a manufacturer of gas-fired and electric stoves, develops and produces products that comply with the highest quality, performance and safety requirements. The information in this installation manual will ensure the appliance is installed in such a way that it will function safely and in a correct way.

Installation and maintenance of the appliance should be performed by a certified and competent professional person, hereafter referred to as the installer. Read the installation manual prior to installing the appliance and make sure the instructions contained therein are fully and carefully observed. If applicable, this also applies to the installation manuals for the DRU PowerVent® and the DRU CM system.

The appliance is supplied with an installation manual and a user manual. The installation manual discusses the installation of the appliance and the applicable instructions, includes the technical specifications of the appliance and provides information about its maintenance and any failures that might occur and what might cause these failures. The user manual contains all information that is relevant to the user in order to operate the appliance properly and safely. After final delivery, both manuals should be handed over to the user.

Where installation instructions are not clear, national/local legislation should be observed.

The following symbols are used in the manuals to indicate important information:

- Work to be performed
- !Tip Suggestions and recommendations
- !Caution You will need these instructions to prevent problems that might occur during installation and/or use.
- !Caution You need these instructions to prevent fire, personal injury or other serious damages.

After final delivery, the manuals should be handed over to the user.

2. EU/UKCA Declaration of conformity

This declaration of conformity is provided under the sole responsibility of DRU Verwarming, hereafter referred to as DRU. DRU declares that company internal measures guarantee that appliances produced by DRU meet the essential requirements and guidelines of the European regulation concerning gas-fired appliances and the accompanying standards. This declaration loses its validity if changes are made to the appliance without written permission from DRU. The instructions in the manuals must also be observed at all times. A copy of the EU test certificate can be downloaded via www.druservice.com.

Product:	Gas-fired heating appliance
Type:	Metro 200XT RCH, Metro 200XT Tunnel RCH
Product identification number:	0063CR3459
EU test certificate:	18GR0169/01
Conformity assessment agency:	Kiwa Netherlands B.V. (0063) Wilmersdorf 50 Postbus 137 7300 AC, Apeldoorn
Regulations:	(EU) 2016/426, (EU) 2015/1186, (EU) 2015/1188
Directives:	2014/53/EU, 2014/35/EU, 2014/30/EU, 2009/125/EC
Standards:	EN 613:2021, EN 60335-1:2012, EN 60335-1:2012/A2:2019, EN 60335-1:2012/A11:2014, EN 60335-1:2012/A13:2017, EN 60335-1:2012/A14:2019, EN 60335-2-102:2016

DRU Verwarming B.V.
Postbus 1021, 6920 BA Duiven
Ratio 8, 6921 RW Duiven
www.drufire.com

Signed for and on behalf of:


R.P. Zantinge, Managing director

Duiven, 06-11-2024

3. SAFETY

- !Caution**
- Observe the generally applicable regulations and precautions/safety instructions in this manual.
 - Read this manual carefully to ensure the proper and safe installation of the appliance.
 - Prior to starting the installation, check that the correct appliance has been delivered on the basis of Appendix 2, Table 2.

3.2 Regulations

Please install the appliance in accordance with the applicable national, local and constructional (installation) regulations.

3.3 Safety instructions

- !Caution** Carefully observe the following precautions/safety instructions:
- Installation and maintenance of the appliance should be performed by an installer.
 - The appliance was designed for atmospheric and heating purposes. This means that all visible surfaces, including the glass pane, can become hotter than 100°C. It is recommended to always place a guard grille in front of the appliance when children, older people or persons with reduced physical, sensory or mental capacities are in the same room as the appliance. If these vulnerable people are regularly present in the room without supervision, a fixed guard should be made around the appliance.
 - Keep combustible objects and/or materials outside the appliance's radiation range (see section 5).
 - Do not cover the appliance and/or do not wrap it in an insulation blanket or any other material.
 - Do not use the appliance when a pane is broken and/or cracked, until it has been replaced.
 - Only use the flue gas discharge / combustion air supply system (concentric system) supplied by DRU.
- !Caution** When installing the appliance, heed the following warnings:
- Do not make any changes to the appliance.
 - Only use the accompanying set, such as the wood or pebble set, and place it exactly as described.
 - Leave space around the ionisation pin and spark electrode and never place glow material around these pins.
 - Place a gas tap in accordance with applicable regulations.
 - Make sure there is no dirt in gas pipes and connections.
 - Check the complete installation for gas tightness prior to commissioning.
 - Do not ignite the appliance until it is fully installed in relation to the gas connections, discharge system and electrical components.
- !Caution** When installing a built-in appliance:
- Prevent the explosion hatch(es) on the top of the appliance (if present) from getting clogged and check that they properly fit on the sealing surface, before the appliance is built in.
 - Use non combustible and heat-resistant materials for the chimney breast, including the top of the chimney breast and the material in the chimney breast, such as the floor under the appliance and the back wall against which the appliance will be placed. For this you can use both special sheet material and stone-like materials.
 - Take sufficient measures to prevent excessive temperatures of a wall behind the chimney breast, including the materials and/or objects behind the wall.
 - Take the minimum required internal dimensions of the chimney breast into account. These are for the benefit of safety and for the prevention of excess heat accumulation in the chimney breast.
 - Ventilate the chimney breast by means of ventilation holes (see section 5.6). These are essential for safety and for the prevention of excess heat accumulation in the chimney breast.
 - Use heat resistant electrical connectors.
 - Place heat-resistant electrical wiring away from the appliance and as low as possible in the chimney breast. This has to do with the temperature development in the chimney breast.
- !Caution** When installing a free-standing appliance:
- Place the appliance at the indicated minimum distance from the back wall and side walls (see section 5).

3.4 Igniting the appliance

Igniting the appliance takes place as follows: the appliance is switched on by means of an ignition command. This can be done by means of the provided remote control, the DRU Fire App (iOS and Android) or a home automation system. The receiver in the appliance gets the signal to start the ignition process. The valves in the gas control are switched on and a reduced amount of gas flows to the main burner. The ignition mechanism sparks for 15 seconds, as a result of which the main burner ignites.

In the case of a PowerVent® system, the module switches on after an ignition command, as a result of which the fan of the system starts up. During starting up, a waiting time of 8 seconds applies. After this the appliance will ignite as described above.

After ignition of the main burner (half the capacity), the ionization is measured to check for a correct and full ignition of the burner. When no ionization is detected after 15 seconds, the ignition cycle is interrupted and the appliance will enter into a failure condition.

When ionization is detected, the main burner will switch to full capacity. In case of an appliance with a switching second burner, the gas valve is now opened to allow the second burner to ignite (shortly before ignition a click sound can be heard). The appliance is now in manual mode, runs at full capacity and is now ready for operation.

The second burner can be switched on and off manually by means of the remote control and/or DRU Fire App. After the second burner is switched on manually, the main burner first switches to full capacity to ensure a correct ignition.

!Tip The control unit of the appliance performs a safety check on the system every 24 hours. It is possible that this check is performed while the appliance is in operation. In that case, the appliance will extinguish and ignite again. Repetition at this particular time can be prevented by removing the plug from the socket and inserting it again at a time when the appliance is rarely or never burning.

4. Unpacking

When unpacking the appliance, please proceed as follows:

- Remove all packaging materials and dispose of them by means of the correct waste processing method.
- !Caution** Keep plastic bags and packaging materials away from children.
- Remove all supplied components in, on and/or at the appliance.
- Remove the screws, if the appliance is attached to a platform or pallet.
- Check the appliance and accessories for damages (during transport). In case of damage, contact your supplier.
- !Caution** Never install a damaged appliance.
- Use Appendix 2, Table 1 to check if all components have been delivered. Contact your supplier if this is not the case.

!Tip The glass panes are made of ceramic material, which means that minor irregularities in the surface cannot be prevented. These are within the imposed quality standards.

5. Installation

The appliance control unit consists of the following components (Appendix 3, Fig. 38):

- A: Distribution block; connection of the burners
- B: Main valve; controls the gas supply to the main burner and valve second burner.
- C: Valve second burner; switches the gas supply to the second burner (if applicable)
- D: Controller (ESYS); controls the ignition procedure and checks for a safe operation
- E: Receiver (DFGT); ensures the control of the appliance
- P1: Pressure gauge nipple 1; burner pressure
- P2: Pressure gauge nipple 2; line-pressure
- G(IN): Gas connection; connection from the gas control to the gas network

5.1 Type of gas

The data plate indicates for which type of gas, gas pressure and for which country this appliance is intended. The data plate is located on the appliance or can be attached to a chain. The data plate must remain attached to the appliance by means of the chain at all times.

!Caution Check that the appliance is suitable for the type of gas and the gas pressure used at the location.

5.1.1 Gas type conversion

A gas type conversion should always be performed by a recognised gas installer. Contact the DRU service department to see what is possible.

5.2 Gas connection

This appliance is intended for use on a gas installation with a gas pressure regulator in the supply. In addition, a gas tap should be installed in the gas pipe, in conformity with the applicable regulations.

- !Caution**
- Make sure the gas pipes and connections are free from dirt.
 - No soldering work may be performed at the flexible gas hose(s).

For the gas connection (Appendix 3, Fig 38 (Gin)), the following requirements apply:

- Lay the gas pipe in such a way that no pressure loss can occur.
- The gas tap must be provided with the correct quality mark.
- The gas tap should be accessible at all times during and after installation.

5.2.1 Gas hose for gas outlet

If legally permitted, a gas hose for a gas outlet (according to EN14800) can be ordered with the appliance in various lengths (consult DRU Service for this). The gas hose is mounted to the appliance at factory and has been checked for leak-tightness.

!Caution

- The gas outlet should be accessible at all times during and after installation.
- The gas outlet may only be placed vertically (Appendix 3, Fig. 3).
- The gas outlet and gas hose may not be placed behind the appliance.
- The gas outlet should be placed next or under the appliance on the wall behind the appliance.
- Measured from the bottom of the adjustable foot holder, a maximum allowed placement height of 30 cm shall apply (Appendix 3, Fig. 3).
- A minimum radius of 40mm must be observed in case of a bend in the gas hose (Appendix 3, Fig. 3).
- A minimum distance of 20mm must be observed between gas hose and appliance.
- The gas hose must be placed as low as possible in the chimney breast. Place it as far away from the burner as possible.
- The input of the appliance control unit points towards the appliance. Due to the bend radius of the gas hose, the chimney breast width becomes larger on the side of the control hatch.

5.3 Electrical connection

Ensure a 230 Volt earthed electrical connection. Place this connection in such a way that it is free from the appliance. When using a chimney breast, the connection should be placed as low as possible, in connection with the temperature development during use.

- !Caution** Make sure the installation can be made free from voltage easily after installation, by disconnecting the plug or using a 2-pole switch placed by an installer in accordance with normal regulations.

- !Caution**
- Protect the appliance control unit and accompanying electrical components against building dust and building moisture.
 - When connecting the receiver and the control panel of the CM system, observe the instructions in the provided installation manual.

5.3.1 Connection switch contact (Eco Glow)

(if applicable)

Connection (B) is used for the Eco Glow glow lighting (Appendix 3, Fig. 36 (B)). When the appliance is not made with Eco Glow glow lighting, this contact can be used for other purposes. It is a potential-free contact and may be loaded to a maximum of 230V~ 1A (230W).

5.3.2 Switching/Dimmable power supply (Triac)

(if applicable)

With connection (C), it is possible, for example, to switch the lamps of DRU lux element or a ventilation system (Appendix 3, Fig. 36 (C)). This can be done by means of the provided remote control or DRU Fire App. The App can also be used to dim this contact. The power supply of this connection may only be loaded with up to 230V~ 0.35A (80 Watt).

5.4 Placing the appliance

- !Caution**
- Place the appliance in front of a heat-resistant and non-combustible wall and on a heat-resistant and non-combustible floor. The wall brackets on a built-in appliance ensure that the minimum distance to the wall is maintained.
 - Ensure there are no combustible objects or materials present in the fire's radiation range, within a distance of 500 mm, unless indicated otherwise.
 - Place the concentric system in such a way that no fire hazard is ever created (also see section 5.8).
 - Take sufficient measures to prevent temperatures of a possible wall behind the chimney breast, or the floor under the chimney breast from becoming too high; including the materials and/or objects located there.
 - Do not cover the appliance and/or do not wrap it in an insulation blanket or any other material.
 - Make sure that the appliance to be installed has a stable position. Fasten possible extending legs with the self-tapping screws.

- !Caution** When installing a built-in appliance, always take the following into account:
- The minimum construction measurements according to Appendix 3, Fig. 1 and 2.
 - The construction height of the appliance.

- Provide a gas connection at the location. For details, see section 5.2.
- Make a passage for the concentric system; for details, see section 5.8.3.

- !Caution** Additional instructions for the appliance to be installed can be found from section 5.10.

5.5 Placing a built-in appliance (if applicable)

Not all built in DRU appliances are supplied with a control hatch.

- !Caution** Built in appliances must be installed with the DRU control hatch. This is necessary to ensure a durable, safe and proper operation. The DRU control hatch can be ordered separately. Exceptions are:
Appliances with supplied DRU guard cabinet. The DRU guard cabinet is intended for installation with a suspended platform. If the appliance will be connected to the DRU PowerVent® system, the DRU control hatch has to be used after all.

The gas control is mounted to the appliance. It must be taken out and placed in the control hatch at a later time. For placing the gas control in the control hatch, see section 5.7.

Proceed as follows:

- Loosen the bracket with the gas control by loosening the self-tapping screws and screw the self-tapping screws back in the appliance.
- Place the bracket with gas control, together with the wiring of the ignition/ionisation cable(s), the flexible gas hose(s) and type plate with chain in the direction of the control hatch.

- !Caution** The data plate should remain connected to the chain.

- Set the height of the appliance using the adjustable feet.
- Make the appliance level at the same time.

- !Tip** The construction frame can be adjusted afterwards for most 2- or 3 sided appliances. This allows a good contact of the construction frame with the chimney breast. Adjustment should take place before the appliance is built in. After building in, adjustment is no longer possible. For 2- or 3-sided appliances that cannot be adjusted, we refer to section 5.10 'Additional instructions'.

!Caution Do not ignite the appliance before the gas, discharge and electric connections have been fully installed, first observe the procedure described in chapter 7.3.

5.6 Placing the chimney breast (if applicable)

For the benefit of a good heat discharge, operation of the appliance and general safety, there should be sufficient space around the appliance.

The chimney breast should be ventilated sufficiently by means of ventilation holes (incoming and outgoing). These are essential for safety and for the prevention of excess heat accumulation in the chimney breast.

!Caution When an appliance is built in the floor, please take into account the minimum distances from a combustible floor. If applicable, additional information about this is provided from section 5.10 'Additional instructions'.

- !Caution**
- In case of the minimum width dimension, a centred placement of the appliance is presumed in order to guarantee sufficient convection.
 - Use non-combustible and heat-resistant materials for the chimney breast, including the top of the chimney breast and the material in the chimney breast, including the back wall and floor.
 - The appliance is not a support structure. Make sure the appliance does not have to bear the weight of the chimney breast for example.
 - The passage of the ventilation holes (outgoing), which are placed as high as possible, is stated in Appendix 2, Table 2.
 - If no control hatch is placed in the chimney breast, an air supply of at least 80 cm² should be attached as low as possible. If there is, the control hatch will suffice as air supply.

- !Caution** When placing the chimney breast, you should take the following into account (see Appendix 3, Fig. 2):
- Protection of components and pipes of the appliance control unit against building dust such as cement and lime.
 - A minimum 100 mm distance between the top of the ventilation hole (outgoing) and the ceiling of the room.
 - The location for the control hatch: this must be placed as low as possible.
 - The dimensions of the control hatch; see Placing the control hatch section 5.7.
 - The location of the ventilation holes (V) (outgoing).
 - The measurements of the glass pane, so that it can be placed/removed after placing the chimney breast.
 - If possible, you should place decorative strips, frames, etc., after any required structural work has been completed. Prevent the use of painter's tape. If this is not possible: use a good quality painter's tape and remove it immediately after plastering or painting work.

!Tip You should preferably apply the ventilation holes (outgoing) on both sides of the chimney breast. Use the DRU ventilation elements.

Check the following issues, before the chimney breast is fully closed:

- Whether the discharge / concentric system is placed correctly.
- Whether the channels, fixing brackets and possible clip bindings, which cannot be reached after installation, are fastened by means of self-tapping screws.

- Do not plaster on or over the edges of the construction frame, because:
 - The heat of the appliance could cause cracks.
 - It will no longer be possible to remove/place the glass pane.
- When using stone-like materials and/or plaster finishing, allow the chimney breast to dry for at least six weeks prior to taking the appliance into operation in order to prevent cracks.

5.7 Placing the control hatch (if applicable)

The control hatch (also see paragraphs 5.5 and 5.6) is placed as low as possible in the chimney breast.

- !Caution**
- The bottom of the control hatch may not be placed higher in the appliance than the burner surface.
 - Place control hatch and bracket with gas control indoors in a dry place only!

A number of components are placed in the control hatch, such as data plate, gas control and, if applicable, the components belonging to the DRU PowerVent® system.

Place the control hatch as follows, see Appendix 3, Fig. 4 for details:

- Make an opening in the chimney breast, as described in the manual for the control hatch.

- !Tip** The opening in the chimney breast may be made horizontal and vertical.
- Place the inner frame (A); unscrew bolts (D and F) for this.
- !Caution** The inner frame should be placed in the correct way. Two positions are possible. Placing the inner frame with a rotation of 180° is not allowed (see Appendix 3, fig. 4).
- !Tip**
- When the chimney breast is made of bricks, the inner frame can be built with bricks at the same time.
 - In case of a different material, the inner frame can be glued or fastened with four countersunk screws.
- Remove the bracket with the gas control (B) from the appliance and place these self-tapping screws back in the appliance.
- Attach the bracket with gas control to the inner frame (A). Proceed as follows:
- Unwind the cables. This will, amongst other things, prevent a poor operation of the ignition.
 - Unwind the flexible gas pipe(s).
 - Mount the bracket with the gas control to the inner frame (A). The slotted hole falls in allen screw (C); the hole at the bottom falls over the head of allen screw (D).
 - Fix the bracket with allen screw (C).
- !Caution**
- Avoid kinks in the pipes.
 - Do not lay the cables of the ionisation and ignition pins along metal parts, wiring and other components.
- Connect the gas pipe with gas tap (see section 5.2).
- Bleed the gas pipe.
- !Tip** If the gas tap is closed, the bracket with gas control can be easily removed by loosening the clamp coupling under the gas control and loosening the allen screw (C) by a few turns. The bracket with the gas control can now be lifted and removed towards the front out of the control hatch.
- Connect the 230V mains voltage with protective earth using the correct type of plug. The other side of the power cable can be easily connected to the universal 230V plug in the control hatch. Use this universal 230V plug to disconnect the appliance from the power supply, if necessary.
- !Caution** If the 230V power cable is damaged, replace it by a similar power cable or a power cable that is available from your dealer.
- Place the data plate in its intended clamp (G).
- Mount the outer frame with door (E) to the inner frame using two allen screws (D and F).
- !Tip** The outer frame can be placed in such a way that the door turns to the left or right.
- !Caution** Always close the control hatch with the lock (H) because of the electricity behind the door (230V). You can operate the lock with a fitting flat object.

5.8 Concentric system

5.8.1 General

The appliance is connected to a flue gas discharge / combustion air supply system delivered by DRU, hereafter referred to as the concentric system. The diameter for this connection is indicated in appendix 2, table 2. The passage to the outside can be created with a wall terminal (C11) or a roof terminal (C31). If necessary, an existing chimney can be used (see section 5.8.4).

- !Caution**
- Only use the concentric system supplied by DRU. This system has been tested in combination with the appliance. DRU cannot guarantee a proper and safe operation of other systems and does not accept any responsibility or liability for this.
 - Use a chimney set for the connection to the chimney, DRU will be able to supply it.
 - DRU's concentric system is intended for indoor use and may therefore not be used outdoors, with the exception of the sections intended for that purpose such as roof and wall terminals.

The concentric system is constructed from (the flue spigot of) the appliance. If, due to constructional circumstances, the concentric system is placed first, it is possible to connect the appliance by means of a telescopic pipe piece.

5.8.2 Construction of the concentric system

Depending on the configuration of the concentric system, the appliance must be further adjusted with a possible restrictor slide and/or air inlet guide.

See Tables 4 and 6 for determining the correct adjustment and section 'Adjustment of the appliance' for the method of working.

!Tip My Flue Assist ist eine DRU-Webanwendung, mit der überprüft werden kann, ob ein beabsichtigtes konzentrisches System zulässig ist, und die Ratschläge zum Einstellen des Geräts gibt. Besuchen Sie die DRU Service-Website für My Flue Assist. Die Informationen aus dem Installationshandbuch sind immer führend.

The concentric system with wall or roof terminal has to comply with the following conditions:

- In appendix 2, table 4 or 5 you can find whether a concentric pipe should be connected and what the minimum vertical length would have to be.
- Determine the permissibility of the required configuration.

When using a **wall terminal (C11)** the following applies:

- The total vertical pipe length, when using a wall terminal, may have a maximum length that can be found in appendix 2, table 4.
- The minimum vertical pipe length, when using a wall terminal, can be found in appendix 2, table 4.
- The total horizontal pipe length, when using a wall terminal, may have a maximum length that can be found in appendix 2, table 4 (excluding wall terminal; see appendix 3, fig. 5).

!Caution In appendix 2, Table 4, 1 bend has been included in the concentric system. It is possible, however, to add extra bends. For each additional bend, the maximum allowed horizontal length of the concentric system is reduced. This is done as follows:

- An additional 90° bend shortens the maximum allowed length of the concentric system by 2 metres.
- An additional 45° bend shortens the maximum allowed length of the concentric system by 1 metre.

!Caution At least 1 metre should always be placed on the appliance vertically, unless stated otherwise in the table.

When using a **roof terminal (C31)** the following applies:

- The construction of the chosen system, when using a roof terminal, must be permissible according to Appendix 2, Table 5 (See the method of working described below).

The working method below indicates how the permissibility is determined of a concentric system when using a roof terminal.

- 1) Count the number of 45° and 90° bends required (15° and 30° bends are also allowed).
- 2) Count the total number of whole metres of horizontal pipe length.
- 3) Count the total number of metres of vertical and/or sloping pipe length (roof terminal excluded).
- 4) In the first 2 columns of Table 5, look for the number of bends required and the total horizontal pipe length.
- 5) In the top row of Table 5, look for the required total vertical and/or sloping pipe length.
- 6) A box with a letter means that the chosen concentric system is permitted.
- 7) Use Table 6 to determine how the appliance should be adjusted.

5.8.3 Placing the concentric system

- !Caution**
- Maintain a distance of at least 50 mm between the outside of the concentric system and the walls and/or the ceiling (see section 5.4). If the system is built in (for instance) a cove, it should be made with non combustible, heat-resistant material all around it.
 - Use heat-resistant insulation material when passing through combustible material.
 - Create a terminal for the concentric system with the following diameters:
 - The pipe diameter +25 mm for a passage through non combustible material (see Appendix 3, fig. 40).
 - The pipe diameter +200 mm for a passage through combustible material. Insulate the surrounding free space with at least 60 mm mineral wool (see Appendix 3, fig. 41).
 - The rosette of the wall terminal is too small to seal the opening in case of passage through combustible material. That is why a heat-resistant intermediate plate of sufficient size should first be mounted to the wall. Then, the rosette is mounted on the intermediate sheet.

The roof terminal can end in a sloping and a flat roof.

The roof terminal can be supplied with an adhesive plate for a flat roof or with a universally adjustable tile for a sloping roof.

!Caution Some heat-resistant insulation materials contain volatile components that will spread an unpleasant smell for a prolonged time; these are not suitable.

Place the concentric system as follows:

- Build the system up from (the flue spigot of) the appliance.
- Connect the concentric pipe pieces and, if necessary, the bend(s).
- On each connection, apply a clip binding with silicon sealing ring.
- Use a self-tapping screw to fix the clip binding to the pipe on locations that cannot be reached after installation.
- Attach the concentric system with sufficient fastening brackets, so that the weight is not resting on the appliance. Observe the following;
 - Place the first fastening bracket 0.5 metre from the appliance, at the most.
 - Place a fastening bracket maximum 0.1 metre from each bend, if the bends are more than 0.25 metre away from each other. If two bends are closer to one another than 0.25 metre, 1 fastening bracket between these bends will be sufficient.
 - At least every 1 metre, place a fastening bracket at slanted and horizontal sections.
 - At least every 2 metres, place a fastening bracket at vertical sections.
- Fasten a roof terminal with anchor cables, if it protrudes more than 1,5 metres above the terminal.
- Determine the remaining length for the wall or roof terminal and cut it to size, make sure the correct insertion length is maintained.
- Place the wall terminal with the (groove/folded) seam at the top.
- Attach the wall terminal from the outside by means of four screws.

!Caution When using the wall terminal, place the terminal with a downward slope of 1 cm / metre towards the outside, in order to prevent rain water from raining in.

5.9 Connection to an existing chimney (C91)

The appliance can be connected to an existing chimney. A 100 mm diameter flexible SS pipe is placed in the chimney for discharging flue gases. The surrounding space is used as combustion air supply.

For a $\varnothing 200/130$ mm appliance connection, the concentric system must be updated to a diameter of 150/100 mm, following which it can be connected to an existing chimney flue.

The following requirements apply when connecting to an existing chimney:

- Only allowed when used in combination with the special DRU chimney set. The installation regulation is part of the delivery.
- The internal size should be at least 150 x 150 mm.
- The vertical length has a maximum of 12 meters.
- The total horizontal pipe length may have a maximum length that can be found in appendix 2, table 4.
- The existing chimney should be clean.
- The existing chimney should be tight.

For setting the appliance, the same conditions/instructions apply as for the concentric system described above.

5.10 Additional instructions

- !Caution**
 - Use the correct tools in order to move the appliance.
 - In case of the Tunnel version of this appliance, it is important to know that the tilting mechanism of the glass pane is only located on one side of the appliance. First establish on which side of the appliance the tilting mechanism is placed.
- !Caution** Keep combustible objects and/or materials outside the appliance's radiation range. This radiation range is 1000mm (see Annex 3 Fig. 2).
- !Tip** Extension legs are available for this appliance.
- Attach the appliance to the wall using the wall brackets that may be pre-mounted on the appliance (B) (see appendix 3, fig.1).

5.11 Construction frame

The construction frame of of this appliance can be adapted from the "4S setting" to the "3S setting" (see appendix 3, fig. 2 and 6). The 3S setting allows the bottom side of the pane to connect to the floor or the platform.

- !Caution** When using the 3S construction frame, observe a minimum distance of 450 mm from combustible floor covering or other materials (see the red-shaded area in appendix 3, fig. 2 (3S)).
- !Caution** We are unable to provide further information on, or assume responsibility for the way in which floor covering or other materials are affected by use of the fire (e.g. how a wooden floor may 'work'). Regardless of whether the minimum required distances from combustible floor covering or other materials are observed.

If the 3S setting is selected, the lower strip must be removed before the appliance is installed.

- Proceed as follows (see appendix 3, fig. 6):
- Unscrew the Allen screws (M) using a 2 mm Allen key.
- Hold the strip (N) and unscrew the self-tapping screws (O).
- Remove the strip.

5.12 Glass pane

The glass pane is mounted in a steel frame. Only in case of a crack or break, it will be necessary to replace the glass pane in the steel frame. When the glass pane is referred to in this document, this will include the steel frame.

- !Caution**
- Avoid damaging the glass panes when removing/placing them.
 - Avoid/remove fingerprints on the glass panes, as they will burn into the glass.
 - The glass pane must be removed/placed by two persons.

5.12.1 Removing the glass pane

When removing the glass pane, please observe the following steps (see appendix 3, fig. 7a, 7b and 8):

- Loosen the bolt (T) in the lock bracket (U) by 3 turns (see appendix 3, fig. 7a (1)).
- Turn the lock bracket (U) to the left by a quarter turn. This will unlock the handle (X), by means of which the glass pane can be opened.

!Caution Always prevent the glass pane from falling forwards!

- Pull the lever (X) down, using your index fingers. Press down the glass pane while the lever (X) is moved to the right 180° and hold on to the glass pane! This will prevent the glass pane from falling forwards and getting damaged (see appendix 3, fig. 7a (2 and 3)).
- Carefully pull the glass pane towards the front with the two handles located at the left and right top side of the glass pane frame and then allow the glass pane to drop (see appendix 3, fig. 7b).

- !Caution**
- The following actions should be performed by 2 persons.
 - Prevent stresses on the glass pane by performing the following actions simultaneously on the left and right side.

- Carefully remove the glass pane with 2 persons from the lower glass pane guides at both sides of the appliance (see appendix 3, fig. 8).

5.12.2 Placing the glass pane

The glass pane is fitted by using the above procedure in reverse order (see appendix 3, fig. 7a, 7b and 8).

- !Caution**
- Avoid/remove fingerprints on the glass pane, as they will burn into the glass.
 - Ensure that the groove (D) in which the glass pane will be placed is free from, for example, chips, vermiculite, pebbles, self-tapping screws or other objects that could damage the glass pane when closing the appliance.

Pay attention to the following when fitting the glass window:

!Caution Make sure the cams at the bottom on both sides of the glass pane frame are correctly placed in the guides at the bottom of the combustion chamber by 2 persons (see appendix 3, fig. 8)!

!Caution Check whether the 4 "clips" (C) are still properly attached around the bottom of the glass pane before the glass pane is closed, in order to prevent it from getting damaged.

!Caution First press the glass pane in its place at the upper corners and then hold the glass pane with 1 hand before sliding the handle to the left again. Otherwise, the projections will not fall over the glass pane, as a result which it will not close properly.

- Turn the lock bracket (U) back to its position and re-tighten the bolt (T).

5.13 Adjustment of the appliance

The appliance does not have to be set in order to combine it with the used discharge system. Some configurations of discharge systems that can be used have been established. These configurations of discharge systems for use with wall terminal and roof terminal are stated in appendix 2, tables 4, 5 and 6.

!Caution G31 (Propane) is only permitted in combination with a PowerVent® system.

5.14 Placing the wood, pebble and broken glass sets

The appliance is supplied with a wood, pebble or broken glass set.

The vermiculite that is used to fill the burner is black in case of the wood and broken glass sets. In the case of the pebble set, the vermiculite has a natural colour.

- !Caution** The figures do not always show the correct colours.
- !Caution** Strictly observe the following instructions to prevent unsafe situations.
 - Only use the supplied wood, pebble or broken glass set.
 - Only use the glow material (see appendix 3, fig. 15) in combination with the wood set.
 - Place the wood, pebble or broken glass set exactly as described.
- !Caution** Placement of the pebble set and broken glass set requires exactly the same actions. The figures only show the pebble set.
 - Make sure the ionization and ignition electrodes and the surrounding space remain free (see appendix 3, fig. 9 to 12).
 - Make sure that the slot between the burner and the vermiculite tray is kept free.
 - Make sure there is no vermiculite dust on the burner.

5.14.1 Wood set

The wood set consists of vermiculite (see appendix 3, fig. 13), chips (see appendix 3, fig. 14), glow material (see appendix 3, fig. 15), ash (see appendix 3, fig. 16), a vermiculite plate consisting of 4 sections (see appendix 3, fig. 18a) and a number of logs (see appendix 3, fig. 17).

- !Caution** Colours may differ from photograph.
 - Place the vermiculite plate (consisting of 4 sections) in the appliance, as indicated (see appendix 3, fig. 18b). Plate numbers 1, 2, 3 and 4 are intended for the Metro 200XT FRONT and plate numbers 1, 2, 5 and 6 for the Metro 200XT TUNNEL.
 - Fill the burner with vermiculite; evenly spread the vermiculite (see appendix 3, fig. 18).
The vermiculite may not get higher than the edge of the burner.
- !Tip** You can influence the flame picture by moving the vermiculite,
- !Caution** The burner deck has to remain covered with vermiculite in order to prevent reduction of the burner's life span.
 - Identify logs A to L (see appendix 3, fig. 17).
- !Tip** Use the burn stains on the logs for identification.
 - Place logs A to L. Use the position brackets for this (see appendix 3, fig. 19 to 27).
- !Caution** The logs may not completely cover the burner pattern, as:
 - The main burner will not ignite properly;
 - this may lead to unsafe situations;
 - the appliance will become filthy more quickly, as a result of soot;
 - the flame image will be affected.
- Fill the vermiculite tray with chips; spread the chips evenly (see appendix 3, fig. 27).
- If required, spread the glow material over the burner.
- !Caution** The areas around the ionization and ignition should remain free from glow material. The glow material can also affect the flame image.
 - Fasten the glow material under the chips and/or wood set.
 - It is possible to remove the 2 racks below the pane frame. These are intended for the pebble set, but may remain in order to place chips in the panel frame as well (see appendix 3, fig. 28). If you wish to remove them, loosen the nuts (W) and remove the racks (V).

5.14.2 Pebble set and broken glass set

The pebble and broken glass sets consist of vermiculite (see appendix 3, fig. 13), a vermiculite plate consisting of 4 sections (see appendix 3, fig 29) and pebbles or broken glass.

- !Caution**
- Placement of the pebble set and broken glass set requires exactly the same actions.
 - The colours may differ from the photograph.
- Place the vermiculite plate (consisting of 4 sections) in the appliance, as indicated (see appendix 3, fig. 29). Plate numbers 1,2,3 and 4 are intended for the Metro 200XT FRONT and plate numbers 1,2,5 and 6 for the Metro 200XT TUNNEL.
- Fill the burner with vermiculite; evenly spread the vermiculite (see appendix 3, fig. 18b).
- !Tip** You can influence the flame picture by moving the vermiculite,
- !Caution** The burner deck has to remain covered with vermiculite in order to prevent reduction of the burner's life span.
- Fill the burner and the vermiculite tray with pebbles or broken glass.
- Spread the pebbles or broken glass evenly over one layer (see appendix 3, fig. 30).
- Carefully distribute the pebbles or the broken glass over the lower strip (Q) of the glass pane (see appendix 3, fig. 30).
- !Caution** Ensure that the groove (D) in which the glass pane will be placed is free from, for example, chips, vermiculite, pebbles, self-tapping screws or other objects that could damage the glass pane when closing the appliance.
- !Caution** Incorrect placement of the pebbles or broken glass, e.g. on top of each other, could have the following consequences:
- The main burner does not ignite properly, which could result in unsafe situations.
 - The flame image will be affected.

6. Control

The appliance is supplied with a remote control. In addition, it is possible to operate the appliance via the DRU Fire App (available for iOS and Android). The user manual describes how the appliance is operated and how the remote control and DRU Fire App work.

The appliance can be operated by means of a home automation system, see section 9.6.

For the installer, there is a service menu in the DRU Fire App (available for iOS and Android) in which data of the appliance can be read (see section 6.1.3).

- !Caution**
- Never ignite the appliance until it is fully installed in relation to the gas connections, discharge system and electrical components.
 - For an appliance made with the CM system, the regulations from the accompanying installation manual shall also apply.

6.1 Operation

6.1.1 Remote control

Proceed as follows to make the remote control ready for use:

- Place two AA type batteries in the battery compartment of the remote control.
- !Tip After placing the batteries, the version number of the software on the remote control is briefly shown on the display.
- The display of the remote control now shows the message 'BND' and the Bluetooth symbol flashes. The remote control is now ready to be coupled with the appliance. See the user manual if the remote control is not in 'BND' mode.
- Make the appliance free from voltage for a short while by removing the plug from the appliance control unit and placing it back again.
- !Tip After briefly making the appliance free from voltage, it is possible to couple the remote control with the appliance for 5 minutes.
- Simultaneously press buttons 'ignition' and 'switch off' for 1 second.
- When coupling has been successful, the Bluetooth symbol lights up continuously and the current room temperature and possibility of ignition are shown.
- !Tip All functions of the remote control are explained in the user manual.

6.1.2 DRU Fire App - User

The DRU Fire App is available for both iOS and Android devices. Proceed as follows to couple the App with the appliance:

- !Tip There should always be an active coupling with the remote control before a device with App can be coupled with the appliance.
- Download the App and make sure Bluetooth is activated on the device to be coupled.
- Open the DRU Fire App and follow the steps in the App.
- !Tip For the thermostat function, the App will use the temperature sensor of the remote control. For a correct operation, the remote control should be within range and in the same room as the appliance.

6.1.3 DRU Fire App – Service

In addition to normal operation options, the App also has a service menu for dealers and service technician, in which the current status of the fire, the number of burning hours, the total number of error messages and the last 20 error messages can be read.

For this function you will need an account. For this, please contact DRU Customer Service.

6.2 Wired home automation system

(if applicable)

In addition to operation by means of the remote control and DRU Fire App, the appliance can also be operated via an external source. A wired home automation system can be directly connected to the receiver (Appendix 3, fig. 36 (D)).

- !Tip**
- Wired connection of a home automation system to the receiver takes place via a 0-10V direct current (Appendix 3, fig. 37). By measuring the height of the voltage, the receiver knows to which position the appliance should be switched. Graph 9.1 shows the relationship between voltage, the height of the flame and the number of burners (1 or 2).
 - When the appliance is controlled by means of a home automation system, operation can be taken over by the remote control and/or DRU Fire App at any time. After having been taken over by the remote control and/or App, the home automation system should be reset to the zero position (0V) to allow operation of the appliance with this system again.

!Caution A higher voltage than 10V will damage the receiver.

Proceed as follows when connecting the home automation system to the receiver:

- Connect the 0-10VDC signal to connection (D), to which a black (-) and yellow (+) wire are connected.
- Activate home automation in the service menu of the DRU Fire App before using it by changing the parameters of function '42003 Activate home automation' from 0 to 14.
- Switch off the burners using the home automation system.
- Measure the voltage on contact D. If $\geq 1,0V$ is measured, a $2200\Omega \geq 0.25W$ resistor (D^R) must be placed across contact D.

!Caution Do not connect the resistor if $< 1,0V$ is measured.

7. Final inspection

In order to check whether the appliance is working properly and safely, you must perform the following inspections before the appliance is put into operation.

7.1 Gastightness

!Caution All connections must be gastight. Check the connections for gastightness. The gas control may be subjected to a maximum pressure of 50 mbar.

7.2 Gas pressure/line-pressure

The burner pressure is set at the factory; see data plate.

!Caution The line-pressure in house installations must be checked, because it can be wrong.

- Check the line-pressure; see Appendix 3, Fig 38 (P1) for the measuring nipple on the gas control.
 - Contact the gas company if the line-pressure is too high.
 - If the line-pressure is too low, check this at the gas meter. Contact the gas company if the line-pressure is also too low at the gas meter.

7.3 Ignition main burner

For igniting the main burner, see the User Manual.

7.3.1 First ignition of the appliance after installation or adjustments

- !Caution**
- For inspection purposes, ignite the appliance without a glass pane after installation or after having performed work.
 - If necessary, bleed the gas pipe.

Proceed as follows:

1. Remove the glass pane from the appliance (see section 5).
2. Ignite the appliance by means of the remote control or DRU Fire App. See section 3.4 for a step-by-step description of the ignition process. (Go to step 11 if the burner continues to burn).

If the main burner does not ignite:

3. Reset the system by means of the remote control or DRU Fire App.
4. Repeat the ignition procedure until the main burner ignites successfully.

- !Caution** If the appliance does not ignite after three failed attempts, it will enter into a hard lock-out for 30 minutes in order to avoid a dangerous accumulation of gas. Make sure there is no more gas present in the appliance, before a new ignition attempt is made.

- Consult the diagram with error messages when ignition fails after a number of attempts (see appendix 1: Malfunctions).
- 5. Check the flame transfer on the main burner and check that the main burner continues to burn (go to step 11 if the burner continues to burn).

If the main burner does NOT continue to burn:

6. Mount the glass pane.
7. Reset the system by pressing the buttons 'Ignition' and 'switch off' on the remote control simultaneously.
8. Now ignite the main burner and check that it continues to burn (go to step 11 if the burner continues to burn).

- !Caution** Limit the ignition attempts with mounted glass pane to a MAXIMUM of 1 ignition attempt. Make sure there is no more gas present in the appliance, before a new ignition attempt is made.

If the main burner again does NOT continue to burn:

9. Switch off the appliance.
10. Consult the diagram with error messages (see appendix 1: Malfunctions) (Go to step 1 once the malfunction has been resolved).

If the main burner DOES continue to burn:

11. Clean the glass pane after taking into operation for the first time, as described in the user manual. Then mount the glass pane as described in section 8.
12. Repeat the ignition procedure a few times and perform checks as described in section 7.3.2.
13. The main burner should ignite smoothly at each attempt and should continue to burn.
14. Clean the glass pane after burning for the first time, as described in the user manual.

- !Caution** Wait 5 minutes before you re-ignite the appliance.

When stoking up for the first time, set the appliance at full position. When the appliance is stoked up, the flame picture can be affected and an unpleasant smell may occur as volatile components evaporate. This process may take a number of hours. Properly aerate the room and remove pets from the room (see section 3 of the User Manual).

7.3.2 Igniting the burner(s)

- !Caution**
- The ignition mechanism should ignite the main burner(s) within a few seconds and without popping.
 - The main burner(s) must ignite smoothly, without popping and across the entire burner, and continue to burn.
 - The second burner (if applicable) should ignite smoothly across the entire length of the burner(s) and continue to burn.
 - If the appliance does not ignite after three failed attempts, it will enter into a hard lock-out for 30 minutes in order to avoid a dangerous accumulation of gas. Make sure there is no more gas present in the appliance, before a new ignition attempt is made. Ignite the appliance in the same way as the first ignition as described in section 10.3.1.

➤ Check the correct ignition of the main burner from cold condition.

!Tip If sparks are observed between the electrodes of the ignition mechanism, the main burner should ignite within a few seconds.

!Caution If NO sparks are determined, it is NOT permitted to continue the procedure. Consult the diagram with error messages (appendix 1: Malfunctions).

7.4 Flame picture

When stoking up for the first time, the flame picture is affected by the evaporation of, for instance, volatile components from paint and other materials. In case of a cold start, the appliance should first reach the correct temperature before the flame picture can be assessed.

!Tip The flame picture and a good flame transfer can only be assessed when the glass pane is mounted and/or closed.

➤ Check that the flame picture is in order.

➤ Consult the diagram with error messages (appendix 1: Malfunctions) if the flame picture is not correct.

8. Maintenance

Once per year, the appliance must be checked, cleaned and, if necessary, repaired by a competent installer in the field of gas heating and electricity.

- !Caution**
- Close the gas tap prior to starting maintenance work.
 - Make the appliance free from voltage prior to starting maintenance work.
 - Check the gas tightness after repair.

!Caution Under no circumstances may a stainless steel concentric system be cleaned (internally) with a steel brush or metal sponge, for example. This will damage the oxide skin, as a result of which pit corrosion and/or system leakage could occur.

➤ Clean the glass pane(s), if necessary.

- !Caution**
- Only clean a glass pane once it has reached room temperature.
 - Never use the appliance in case of a broken and/or cracked glass pane.

- !Caution**
- Avoid damage to the glass pane(s).
 - Avoid/remove fingerprints on the glass pane(s), as these can burn into the glass.
 - Clean the glass pane(s) as described in the user manual.
 - Regularly remove accumulated dirt, as it can burn into the glass.

➤ Inspect the flue gas discharge system.

!Caution You must always perform a final inspection.

➤ Perform the inspection as described in section 7.3.1.

8.1 Parts

Parts to be replaced are available via the DRU service website, dealer or importer.

9. Delivery

During delivery, familiarise the user with the appliance and its operation. The user manual explains all aspects that are relevant to the user step by step, but this will never surpass a careful and personal instruction.

!Caution Tell the user to close the gas tap immediately and contact a competent installer in case of malfunctions/poor operation. This to prevent unsafe situations.

- Provide the user with instructions for the appliance, remote control and DRU Fire App.
- Give the manuals to the user (all manuals should be stored near the appliance).
- Important aspects for the benefit of the user's safety that the user must be familiarised with:
 - Opening and closing the control hatch
 - The operation and location of the gas tap
 - The location of the 230 Volt connection.
- Inform the user about the following:
 - In order to prevent cracks, a chimney breast made of stone-like materials or finished with plaster, must dry at least 6 weeks prior to taking the appliance into operation.
 - Cleaning the glass pane(s).
 - In case of delivery of an appliance equipped with a DRU CM system, the Installation Manual will contain additional information about this.

10. Malfunctions

Appendix 1 provides an overview of malfunctions that might occur, their possible causes and remedies.

Appendix 1 Malfunctions

Error messages			
Error code	Problem	Possible cause	Remedy
F01 E00	Communication loss between receiver (DFGT) and controller (ESYS)	Communication cable does not make contact	Properly connect the communication cable
		Communication cable defective	Replace communication cable
F01 E00	Malfunction Eco Glow® component(s)	Defective LED unit	Replace LED unit
		Defective LED driver	Replace LED driver
F02 E00	Receiver (DFGT) overheated (>70°C)	Poor ventilation at receiver	Improve ventilation at receiver
		Receiver makes contact with hot parts	Remove contact between the receiver and hot parts
F03 E00	Malfunction NTC sensor	NTC sensor incorrectly connected	Connect the NTC sensor in the correct way
		NTC sensor defective	Replace the NTC sensor
F08 E01 E27	No ionization	No sparks	Check the distance between the electrodes (3-4 mm)
			Replace the electrodes
		No gas	Check gas supply
			In case of PowerVent®: check that gas valve opens
		Poor flame transfer main burner	Check the positioning of the logs and/or chips
			Remove dust that is present from burner openings
		No good flame under ionization pin (suffocating flame)	Check that the glass pane(s) is/are mounted correctly
			Mount the restrictor and air inlet guide as described
F08 E01 E02 E27	No ionization / false ionization	Ionization pin positioned incorrectly	Position in the correct way
		Ionization pin blocked	Measure ionization current > 0,8 < 1,8 µA Remove possible blockage with vermiculite and/or chips
		Ionization pin defective	Measure ionization current Replace ionization pin when 0 µA
F08 E03	High limit error	High limit bridge defective	Place High limit bridge on the controller
F12 E12	EEPROM error	Controller defective	Replace controller
F12 E13	Appliance is in lock-out	6 reset attempts within 15 minutes	Can be reset after 30 minutes
F13 F14 E01 E27	Flame loss (no ionization) Only main burner (F13) / Main burner + 2nd burner (F14)	Short circuit on the ionization pin	Make the ionization pin free from chips, vermiculite or glow material
		Ionization current critical (18 µA)	Increase ionisation current to ≥ 1,8 µA by rearranging vermiculite and removing chips and dust from the burner openings
		Suffocation in the concentric system	Check the concentric system
			Check the setting of the appliance
		Suffocation when using PowerVent®	Check the pressure setting of the PowerVent® system

Error messages

Error code	Problem	Possible cause	Remedy
		24 hour check control (only F13)	Reset with remote control
		Gas has fallen away	Restore the gas supply
		Gas control defective	Replace the gas control
F15 E09	No connection between control (ESYS) and gas control	Controller shot loose/mounted incorrectly	Mount controller correctly
		Controller mounted incorrectly	Mount controller correctly
		Pins on the connector on the gas control are bent	Bend them straight
F15 E04	APS malfunction	APS bridge defective	Place APS bridge on the controller
F15 E99	Error in wire connection	Controller connected incorrectly	Connect the wiring of the controller correctly
F15 E04	Fan PowerVent® does not start, appliance does not spark	Fan is defective	Replace the fan
	Fan PowerVent® does start, appliance does not spark	Leaking differential pressure hoses	Replace/repair connections and/or hoses
		Differential pressure sensor defective	Replace differential pressure sensor
		Control signal cable defective	Replace the control signal cable
		Defect and/or leak in the concentric system	Check the concentric system for leaks and defects. Repair if necessary
F16 E21 E25	Hardware Error controller (ESYS)	Controller defective	Replace controller
F17	Hardware Error controller (ESYS)	Controller defective	Replace controller
F18 E30	Controller (ESYS) is not released	Controller is in hard lockout	After 30 min. with mains voltage on the appliance, F18/E30 can be reset
LOST F05	Communication loss between transmitter and receiver (DFGT)	Transmitter is out of the receiver's range	Bring the transmitter within the range of the receiver
		Obstacles between transmitter and receiver	Remove obstacles between transmitter and receiver
		Transmission strength is too weak.	Check transmission strength (see User Manual chapter 5.2)
BND	No communication between remote control and receiver (DFGT)	Remote control and receiver have not been coupled	Couple the remote control with the receiver
		Remote control defective	Replace remote control.
No error code	The home automation system does not switch off the burners completely	Floating voltage ($\geq 1,0V$) on contact D	Connect a resistor across contact D (Installation manual H6.2)

Table 2: Technical data

Table 2: Technical data						
Model identifier(s)		Metro 200XT RCH, Metro 200XT Tunnel RCH				
Type of appliance		Built-in				
Combustion		Closed combustion				
Type		C11, C31, C91, C12, C32*****				
Categorie		I _{2EK} , I _{2ELL} , I _{2H} , I _{2E+} , I _{2E} , I _{3p} *****				
Concentric appliance connection		200/130				
Applicable concentric systems		DRU LAS ES-I 200/130, DRU LAS ES-E 200/150/100, DRU LAS ES-I 150/100, DRU PV-I 100/60				
Flame protection version		Separated ignition / ionization plugs				
Atmosphere safety		No				
Pressure equalisation		Explosion hatch				
Ventilation hole chimney breast		520 cm ²				
Gastype:		Symbol	G25/G25.3*	G20	G31*****	Unit
Indirect heating functionality			No	No	Neer	
Direct heat output			15,8	16,7	15,4	kW
Indirect heat output			-	-	-	kW
Space heating emissions NO _x			114,8	119,9	61,5	mg/kWh _{input} (GCV)
Heat output						
Nominal heat output		P _{nom}	15,8	16,7	15,4	kW
Minimum heat output (indicative)		P _{min}	7,2	8,9	7,3	kW
Technical data						
Nominal heat input (Hs)			20,7	21,8	19,3	kW
Nominal heat input (Hi)			18,6	19,6	17,7	kW
Consumption max			2237	2081	704	L/h
Consumption min			1073	1138	360	L/h
Burner pressure max			18,0	14,3	25,3	mbar
Burner pressure min			4,3	4,4	6,7	mbar
Main burner injector			2x Ø2,00 2x Ø1,80	2x Ø2,00 2x Ø1,80	2x Ø1,20 2x Ø1,25	mm
Low setting injector			-	-	-	mm
Efficiency class (EN613)			1	1	1	
Useful efficiency (NCV)**						
Useful efficiency at nominal heat output		η _{th,nom}	90,1	90,3	95,7	%
Useful efficiency at minimum heat output (indicative)		η _{th,min}	87,6	87,6	93,0	%
Auxiliary electricity consumption						
At nominal heat output		e _{l,max}	0,0156	0,0156	0,0156	kW
At nominal heat output		e _{l,min}	0,0124	0,0124	0,0124	kW
In standby mode		e _{l,SB}	0,0026	0,0026	0,0026	kW
Permanent pilot flame power requirement						
Pilot flame power requirement (if applicable)		P _{pilot}	-	-	-	kW
Energy efficiency***						
Energy efficiency index		EEl	90	90	95	
Energy efficiency class			A	A	A	
Type of heat output / room temperature control						
Single stage heat output, no room temperature control						No
Two or more manual stages, no room temperature control						No
With mechanic thermostat room temperature control						No
With electronic room temperature control						Yes
With electronic room temperature control plus day timer						Yes
With electronic room temperature control plus week timer						Yes
Other control options						
Room temperature control, with presence detection						Yes***
Room temperature control, with open window detection						Yes***
With distance controle option						Yes

* This appliance is suitable for G25.3 with the composition according NTA 8837.

** System efficiency.

*** To be used by means of home automation.

**** Adjusting screw.

***** Categories C12 and C32 only in combination with DRU PV-1 100/60 (PowerVent®).

***** G31 (Propane) is only permitted in combination with a PowerVent® system.

Table 3: Line-pressure when using G31				
Country	mbar			
NL / DK / FI / NO / SE / BA / GR	30			
FR / BE / IT / PT / ES / GB / IE / CH	37			
DE / LU	50			

G31 (Propane), category 3_p is only permitted in combination with a PowerVent® system.

Permissibility and conditions concentric system with wall terminal

Table 4: Conditions for setting the appliance					
G20/G25.3					
Total number of meters vertical pipe length	Total number of meters horizontal pipe length (excluding wall terminal)	See Figure	Air inlet guide	Restrictor slide	Distance of restriction in mm
0.8 ¹⁾ - 4	0 - 4	5	N.A.	N.A.	N.A.

¹⁾ minimum length

!Caution In case of a wall terminal, you should always use a diameter of 200/130.

Table 5: Determining permissibility concentric system with roof terminal

G20/G25.3	Total number of meters horiz. pipe length	Total no. of meters vertical and/or sloping pipe length											
		1 ¹⁾	2	3	4	5	6	7	8	9	10	11	12
no bends	0	A	A	A	A	A	A	A	A	A	A	A	A
2 bends	0	A	A	A	A	A	A	A	A	A	A	A	A
	1		A	A	A	A	A	A	A	A	A	A	
	2			A	A	A	A	A	A	A	A		
	3				A	A	A	A	A	A			
	4					A	A	A	A				
	5												
3 bends	0		A	A	A	A	A	A	A	A	A	A	A
	1			A	A	A	A	A	A	A	A	A	
	2				A	A	A	A	A	A	A		
	3					A	A	A	A	A			
	4						A	A	A				
	5												
4 bends	0			A	A	A	A	A	A	A	A	A	A
	1				A	A	A	A	A	A	A	A	
	2					A	A	A	A	A	A		
	3						A	A	A	A			
	4							A	A				
	5												
5 bends	-												

■ = Situation is not permissible

¹⁾ minimum length

Table 6: Conditions for the adjustment of the appliance with a roof terminal

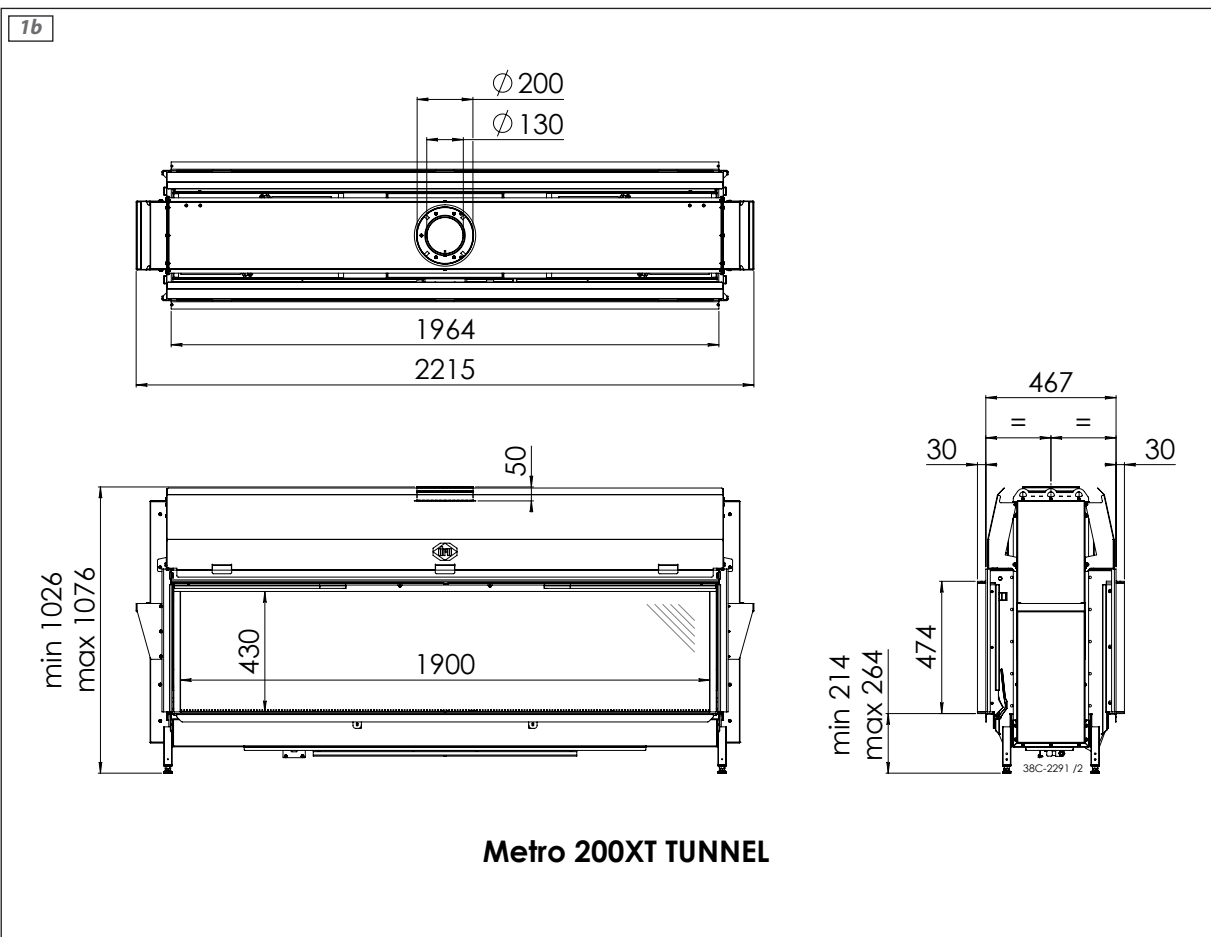
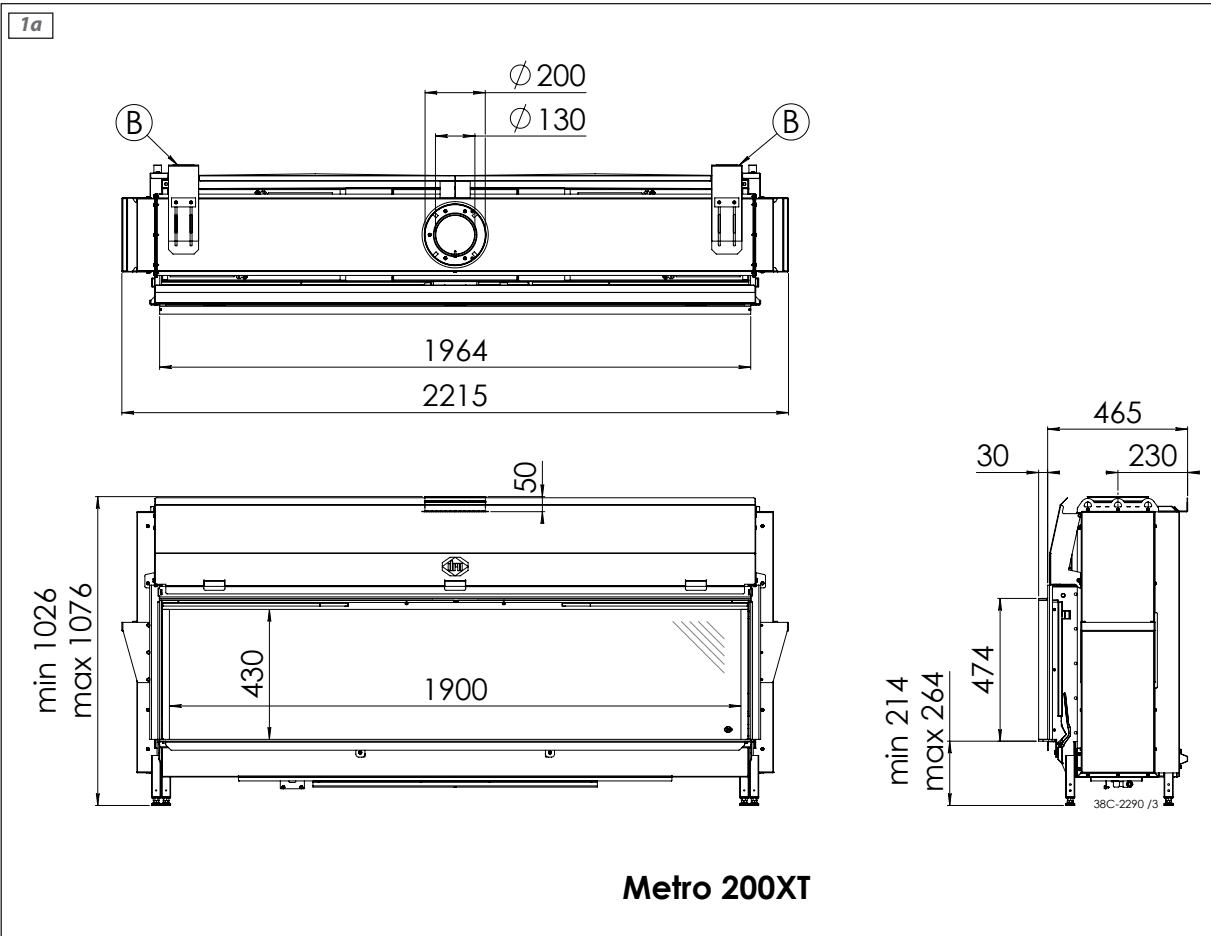
G20/G25.3			
Situation	Air inlet guide	Restrictor slide	Distance restrictor. in mm
A	N.A.	N.A.	N.A.

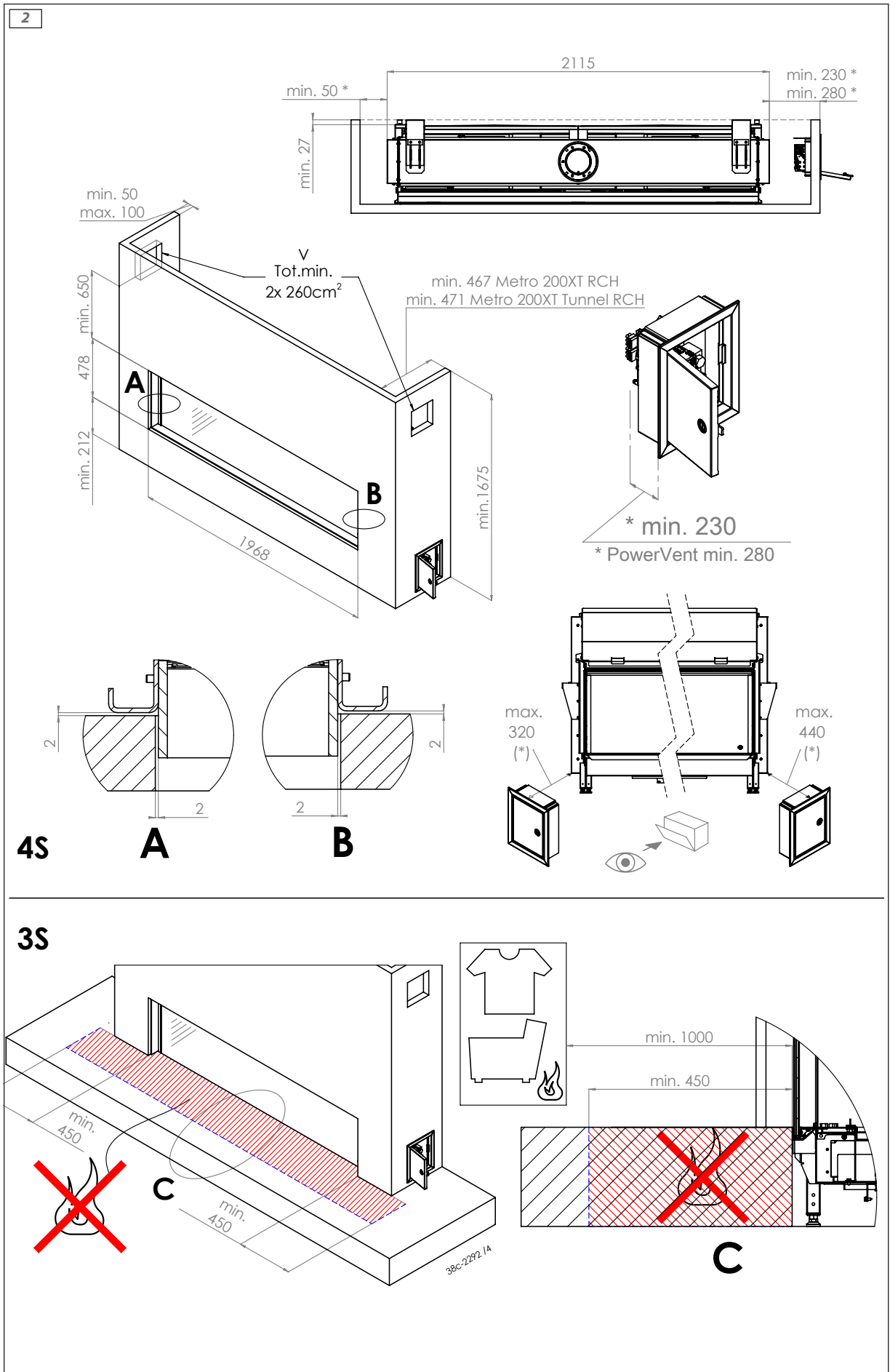
!Caution In case of a roof terminal **without bends**, first connect 0.8 metres of concentric system vertically on the appliance with a diameter of 200/130 mm. After the first 0,8 metre, reduce the concentric system to a 150/100 mm diameter, including a 150/100 mm roof terminal.

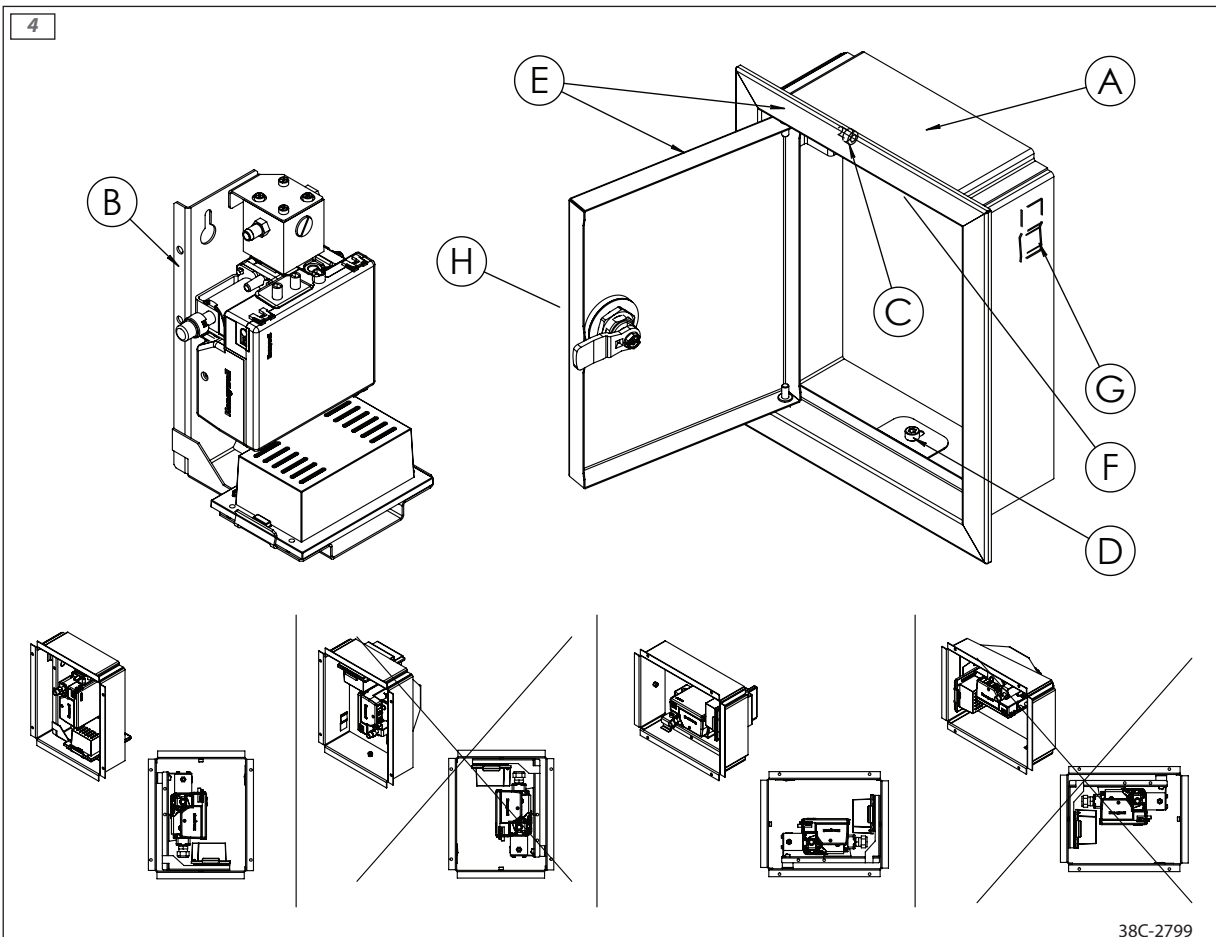
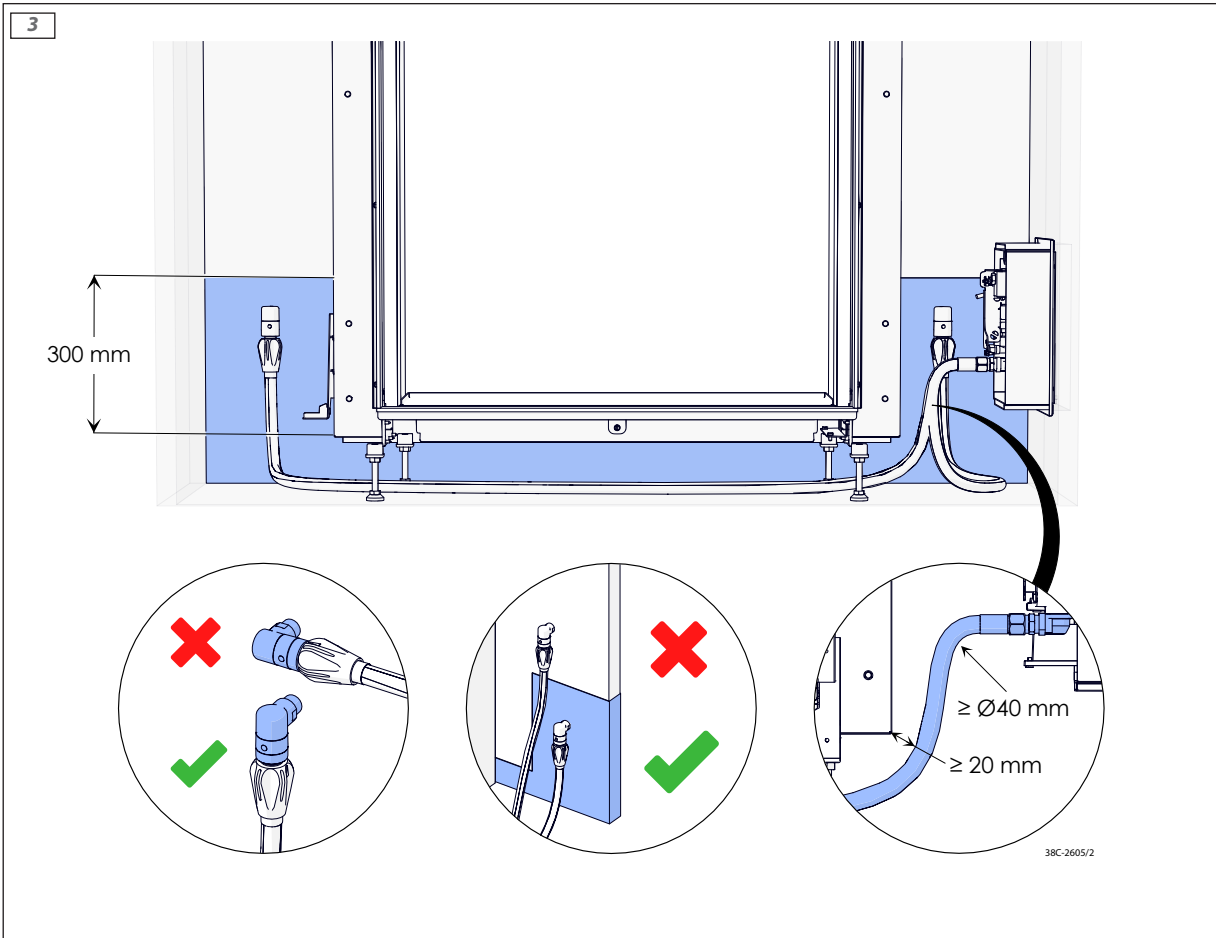
!Caution In case of a roof terminal **with bends**, first connect 0.8 metres of concentric system vertically on the appliance with a diameter of 200/130 mm. Make the concentric system with a 200/130 mm diameter, and reduce the concentric system immediately after the last bend to 150/100 mm, including 150/100 mm roof terminal.

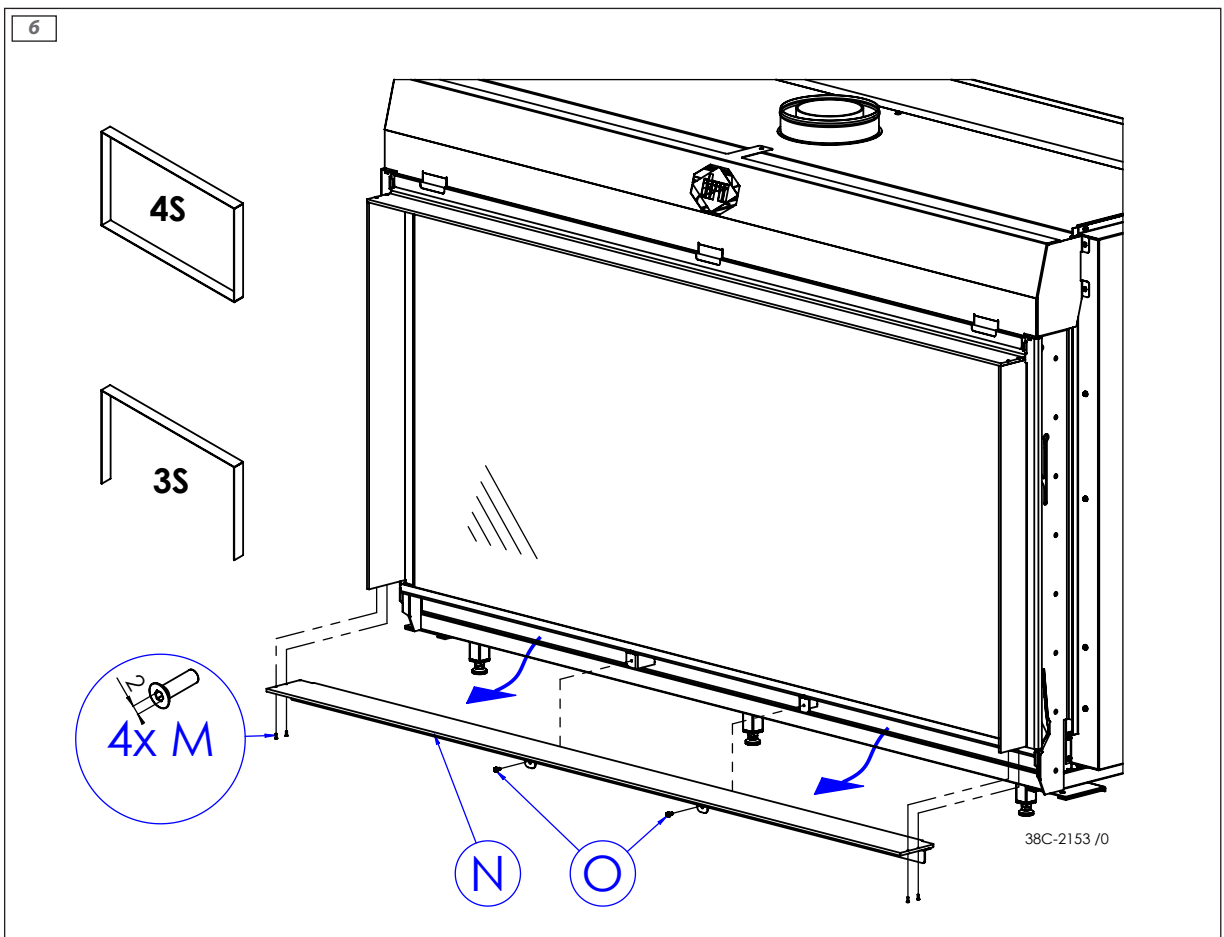
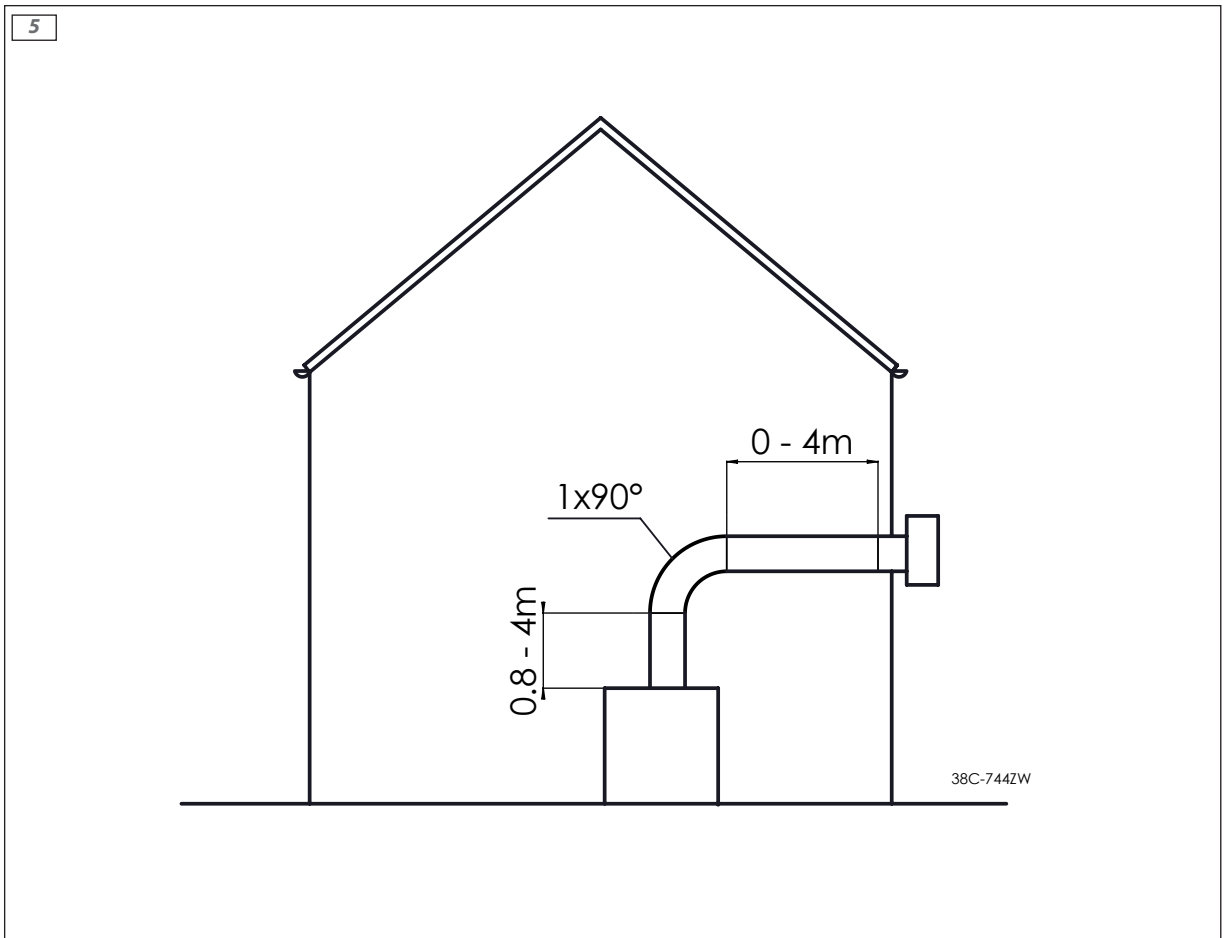
!Caution G31 (Propane) is only permitted in combination with a PowerVent® system.

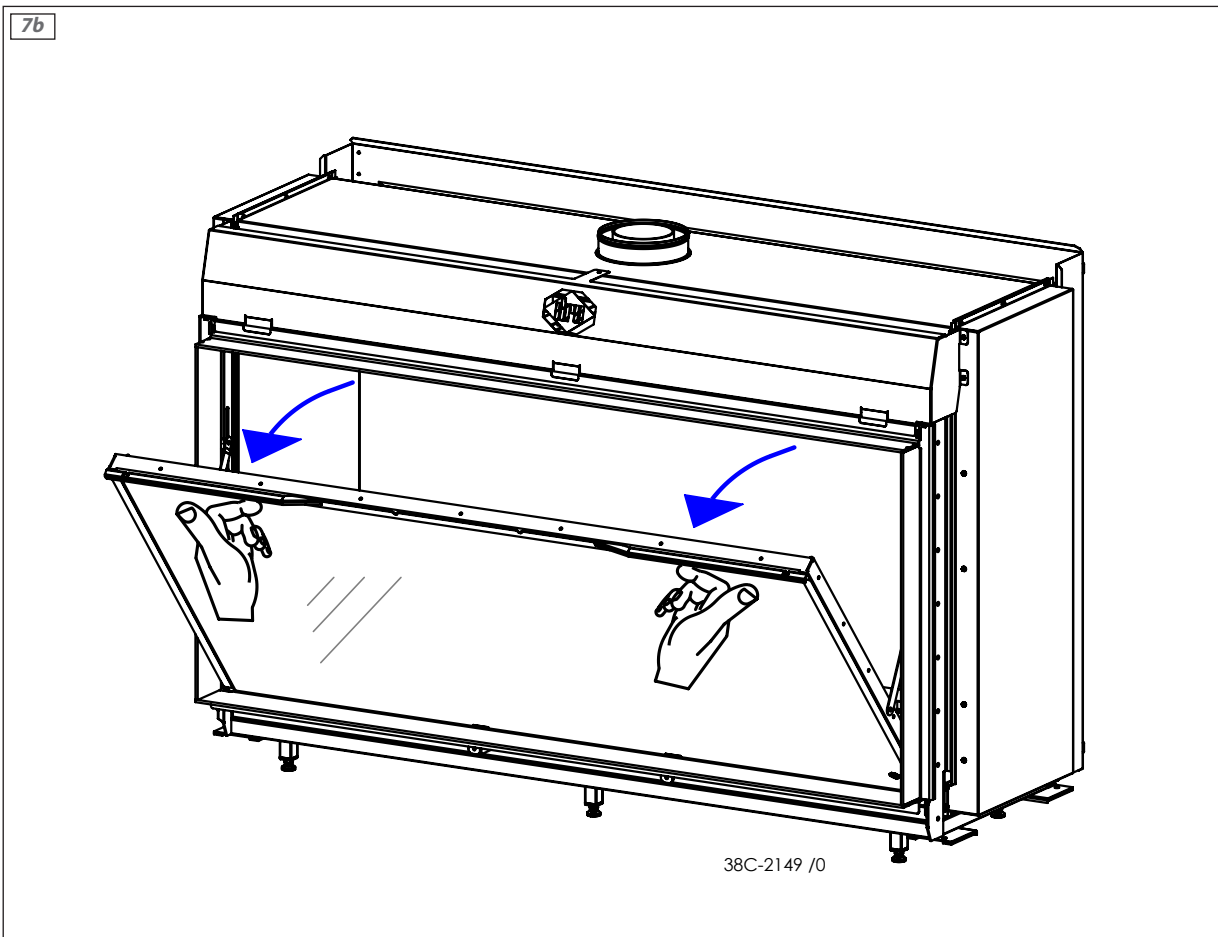
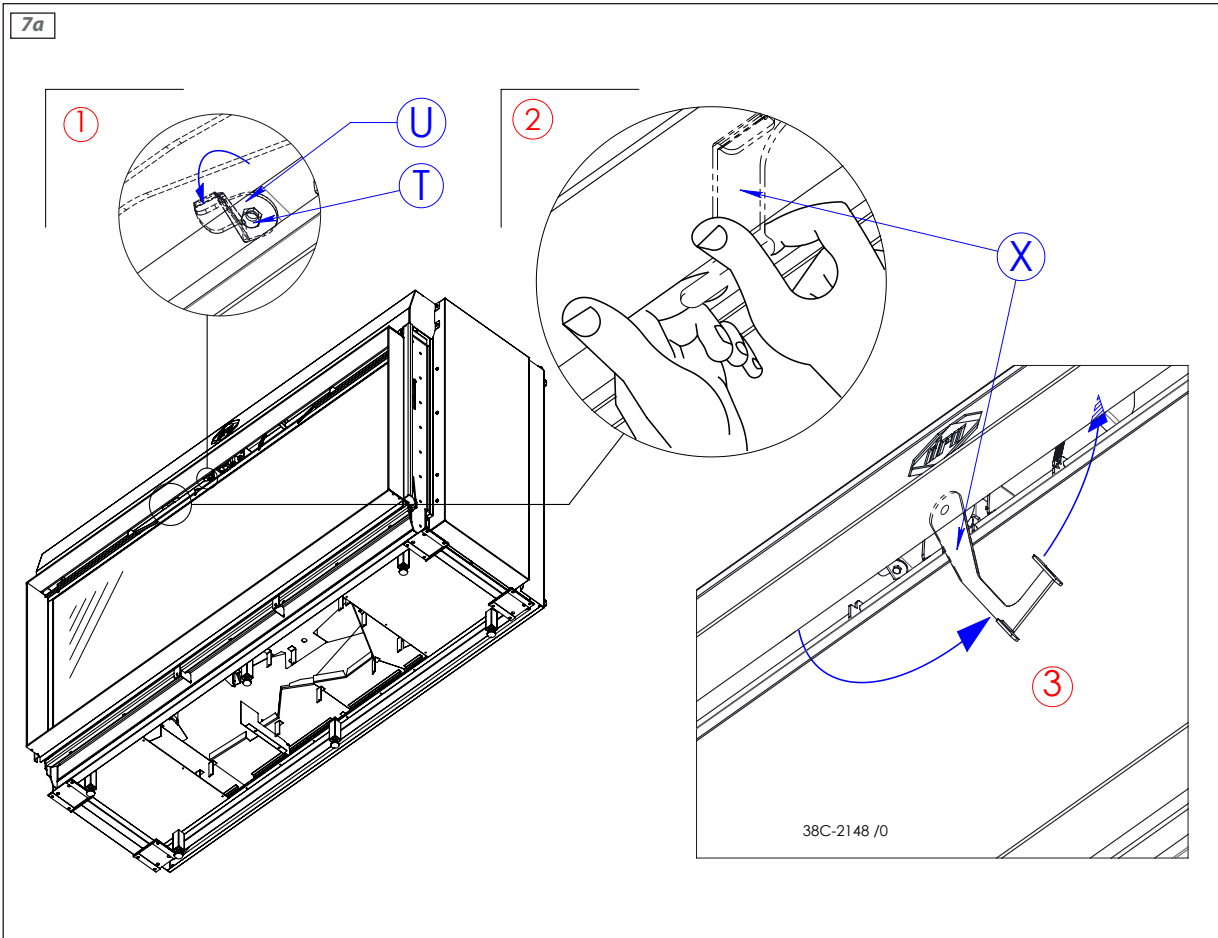
Appendix 3 Figures



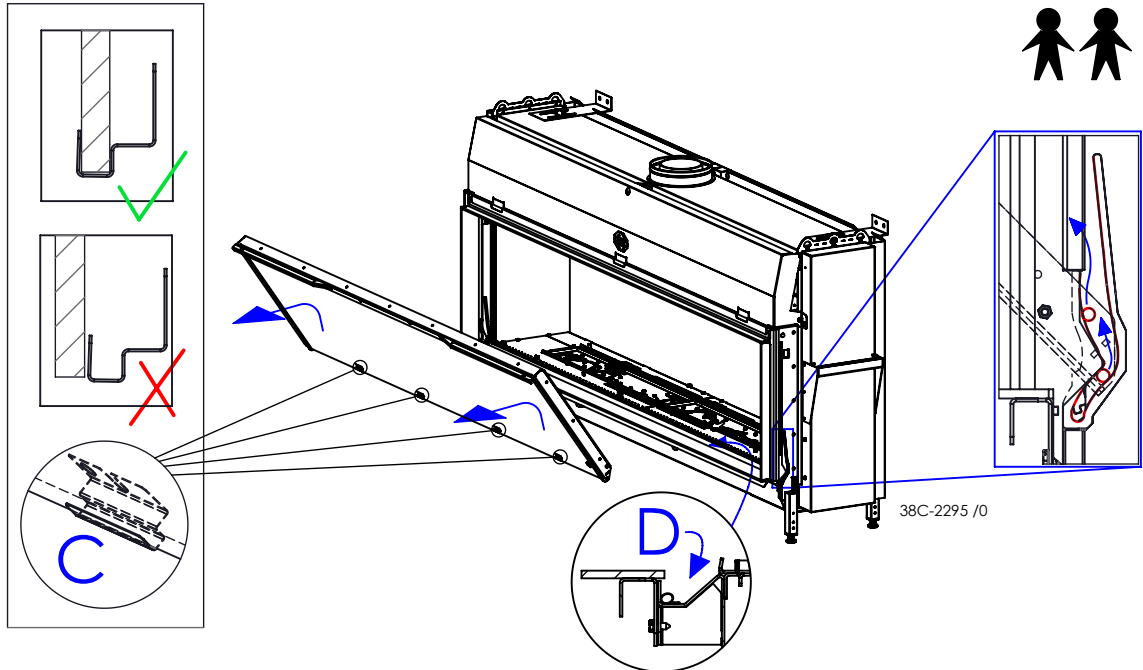


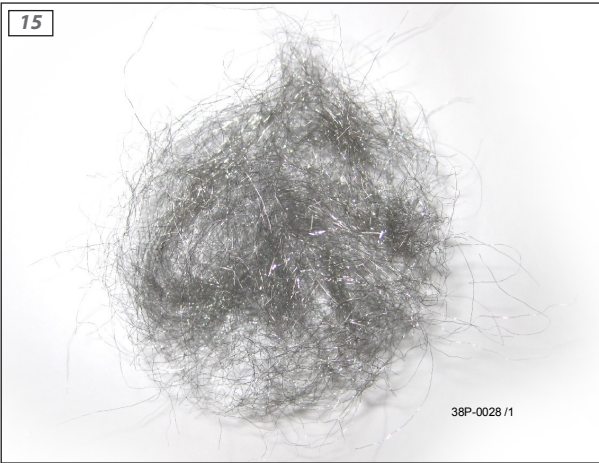






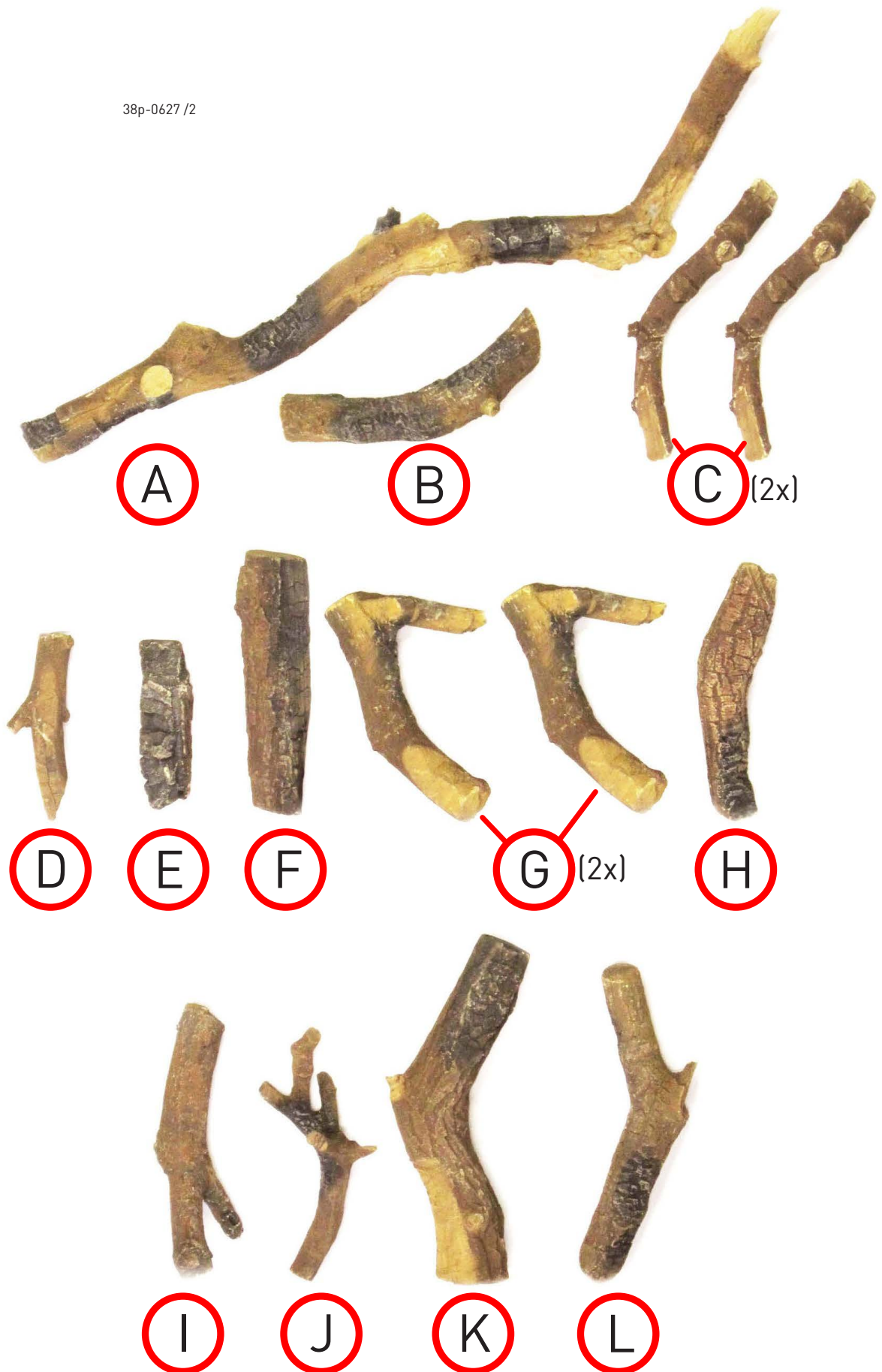
8

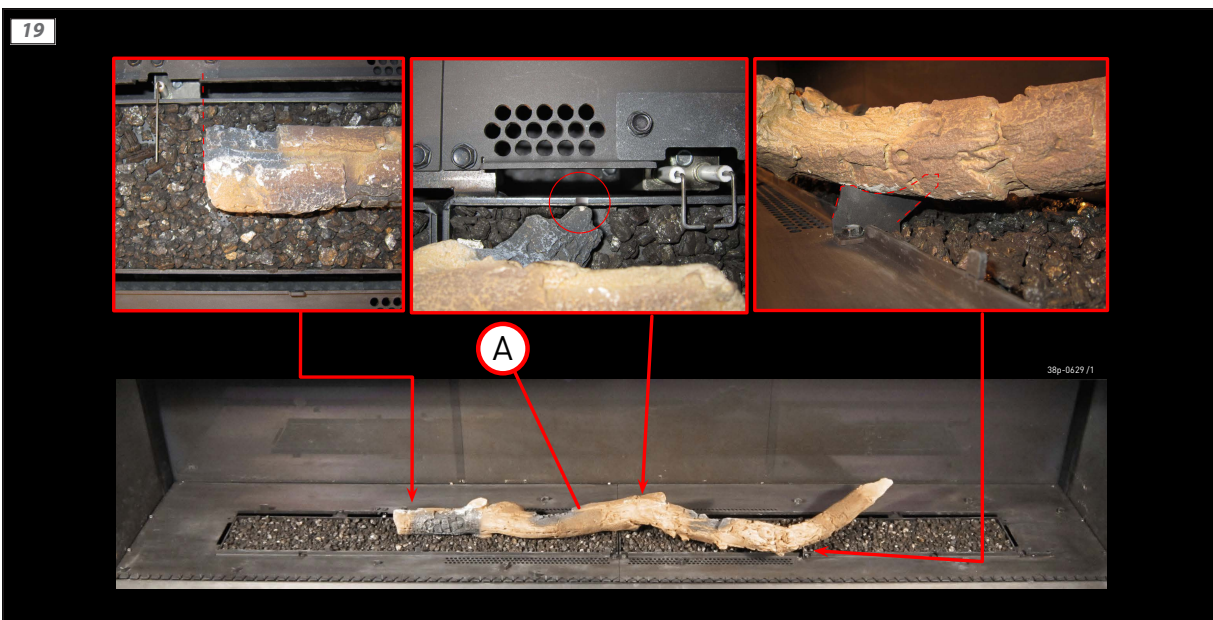
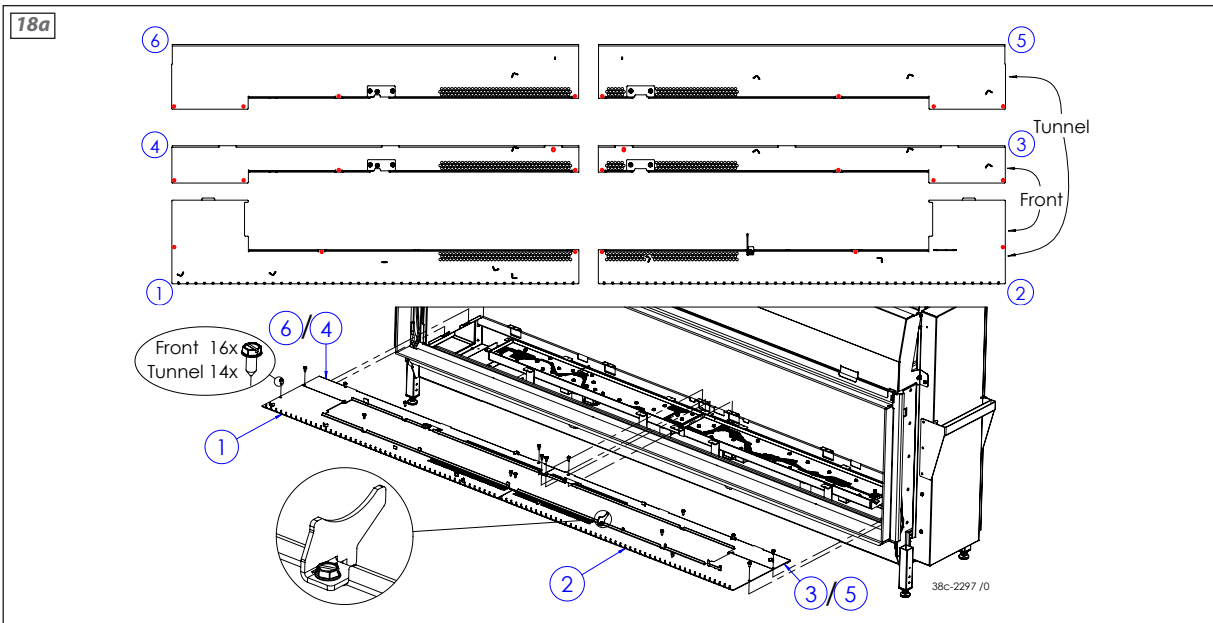


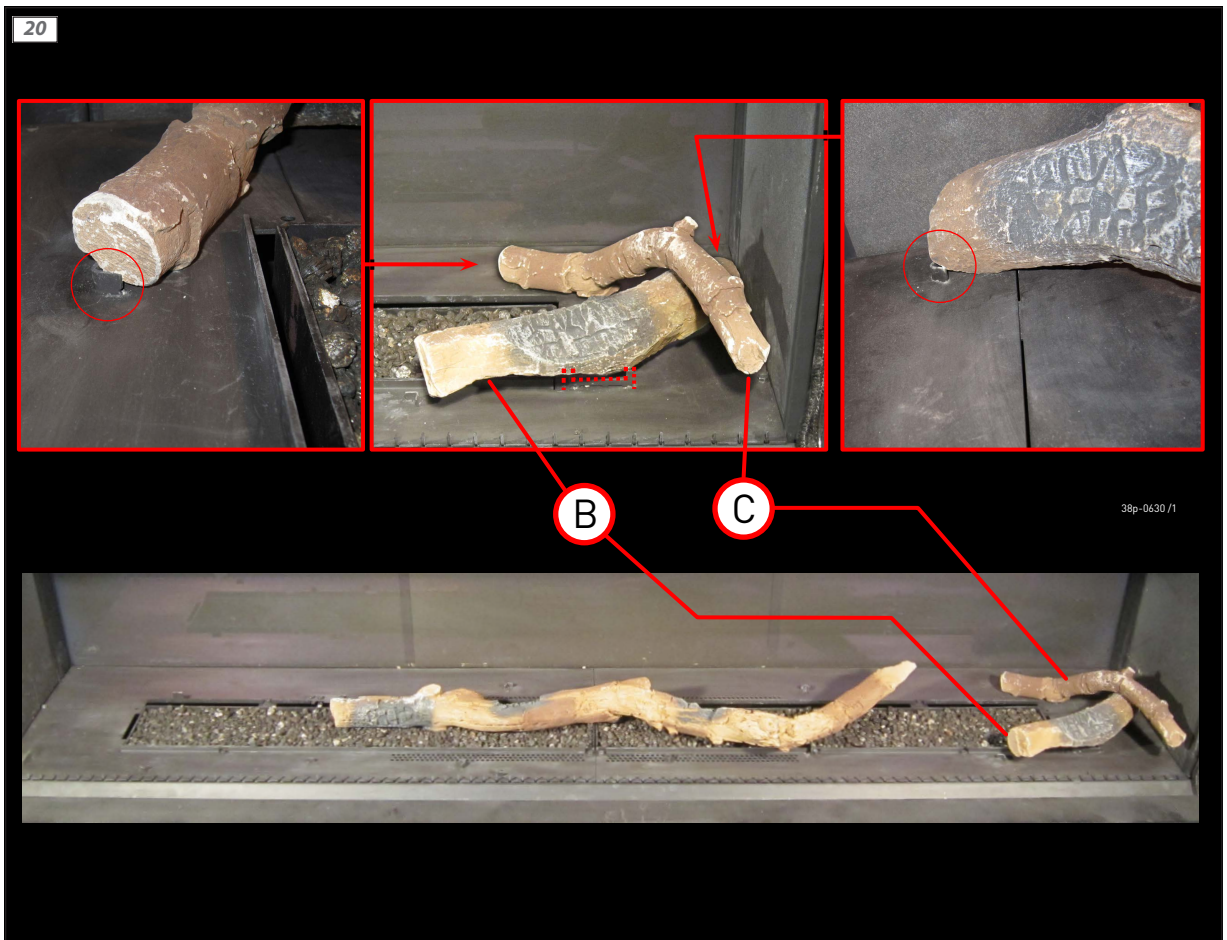


17

38p-0627 / 2







22



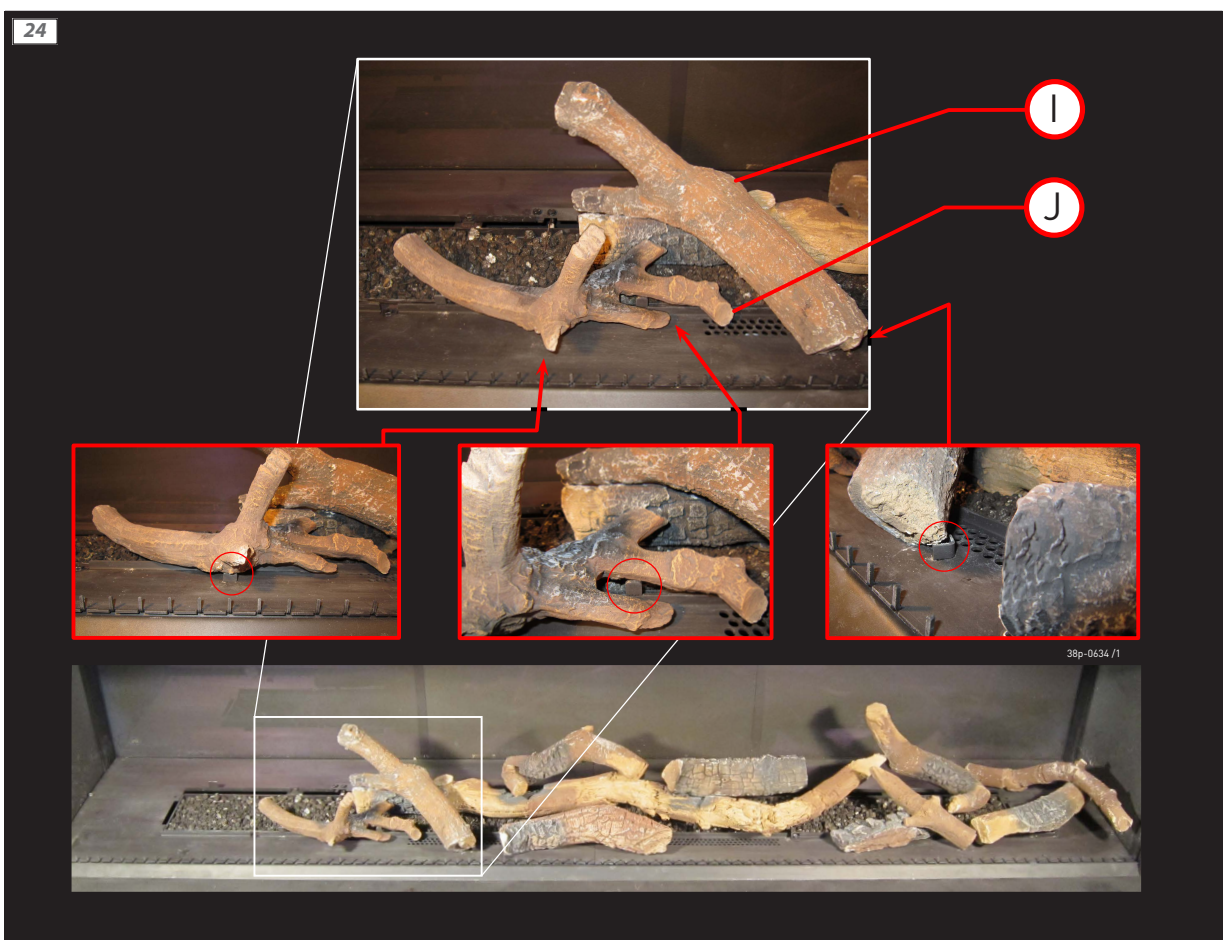
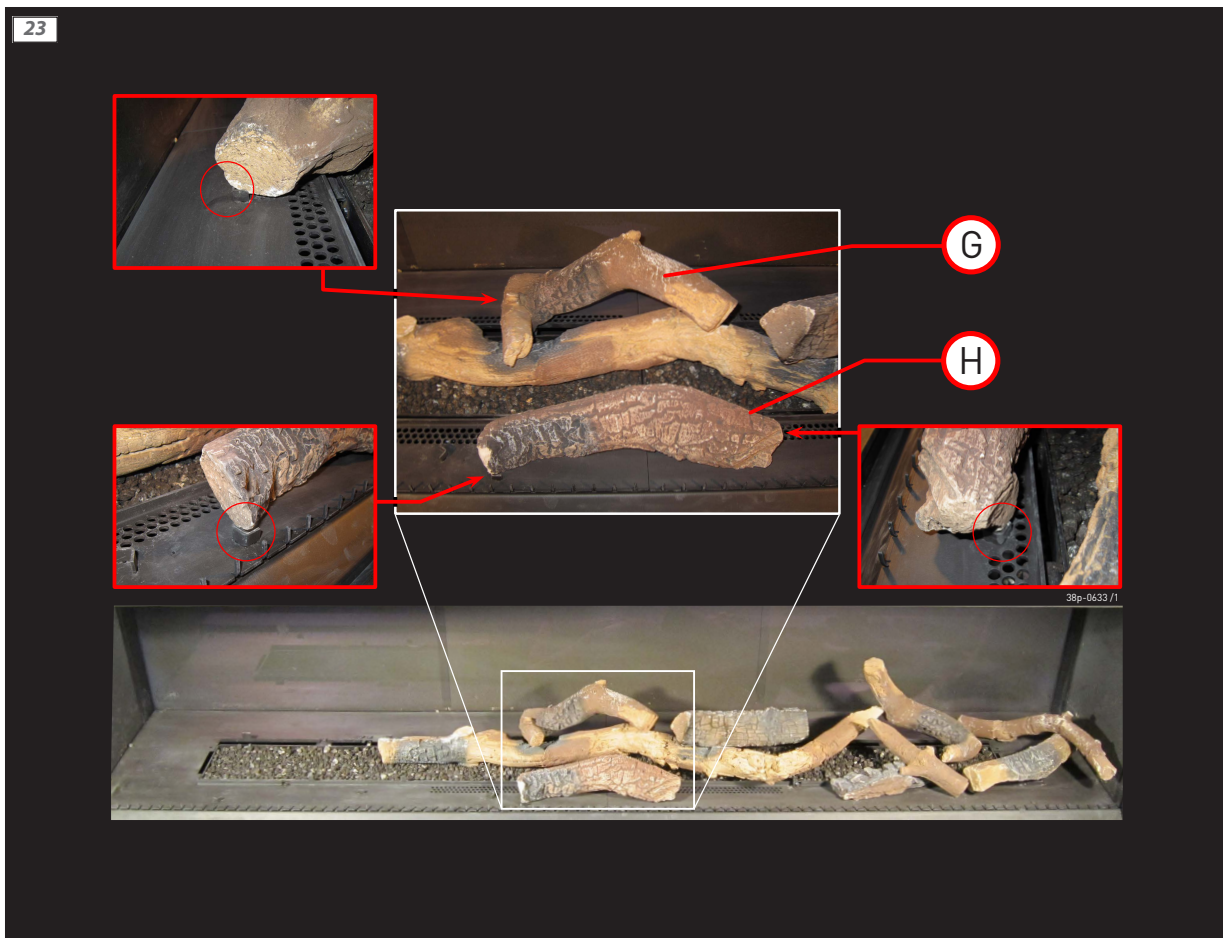
F



G

38p-0632 / 1





25



K

38p-0635 / 1



26

C

L

38p-0636 / 1

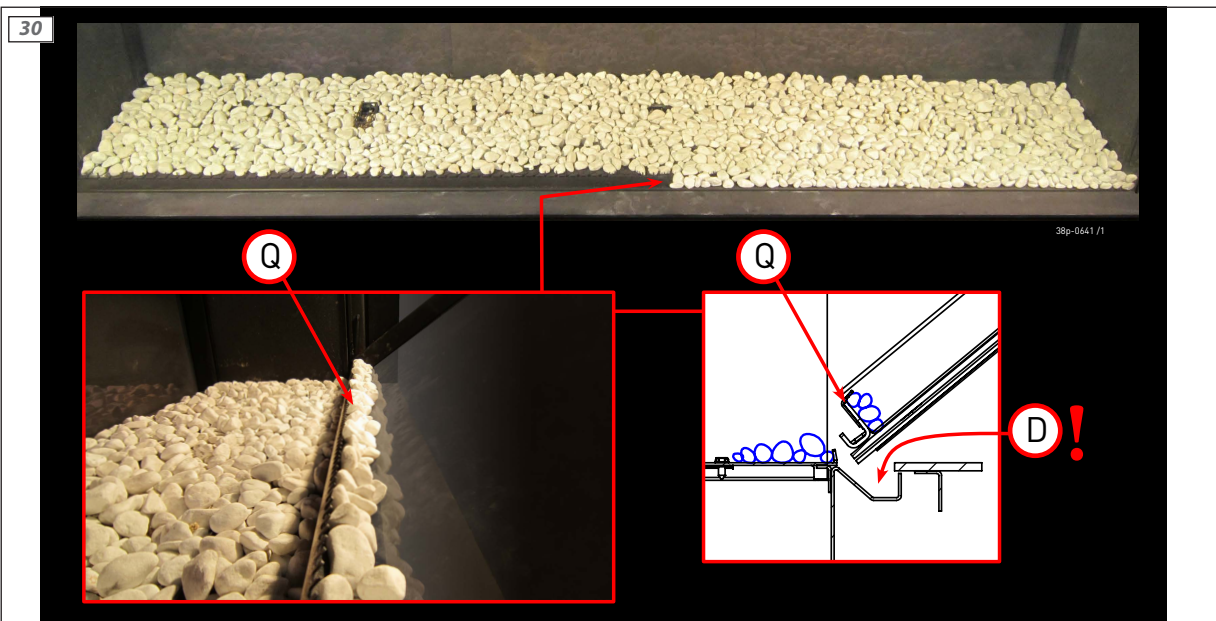
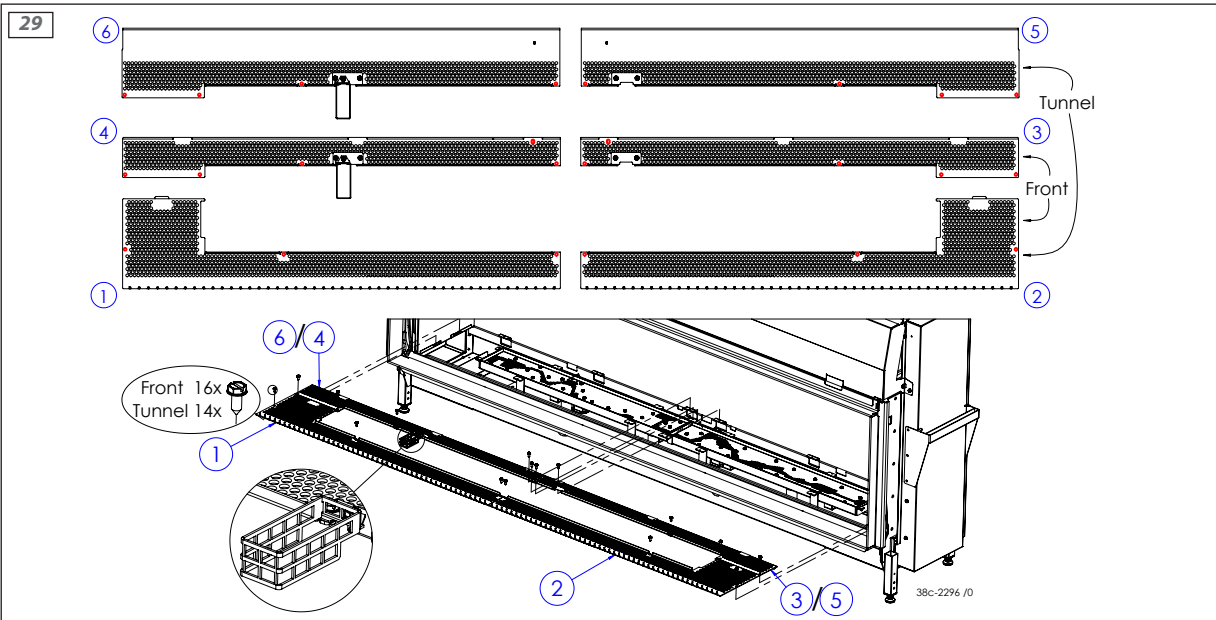
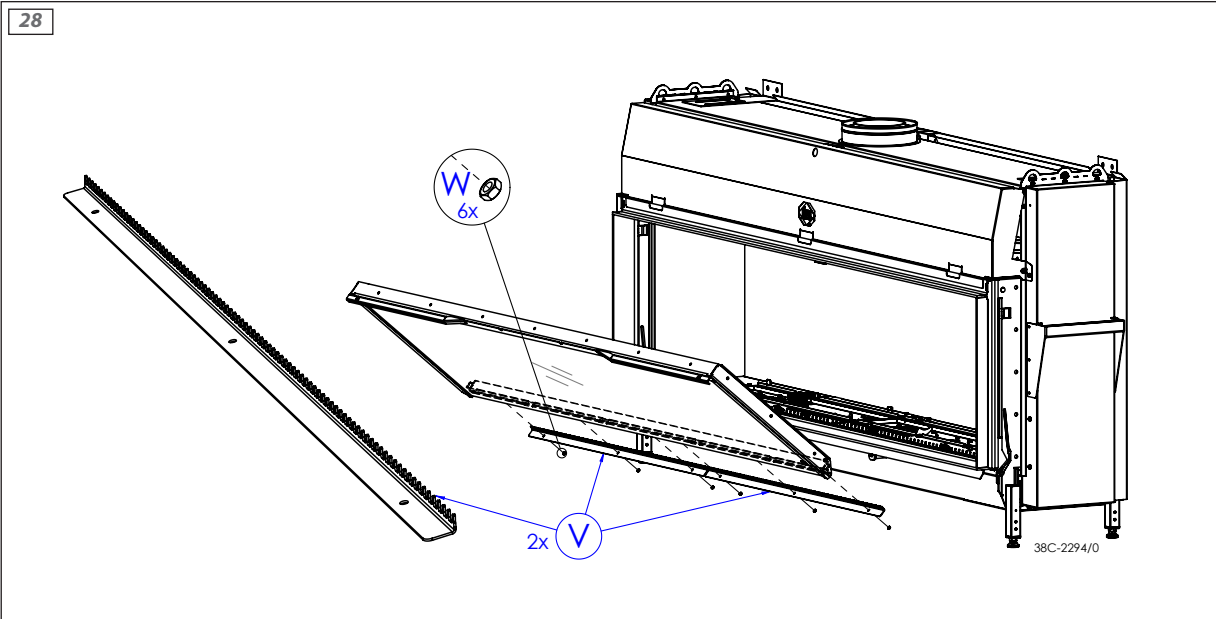


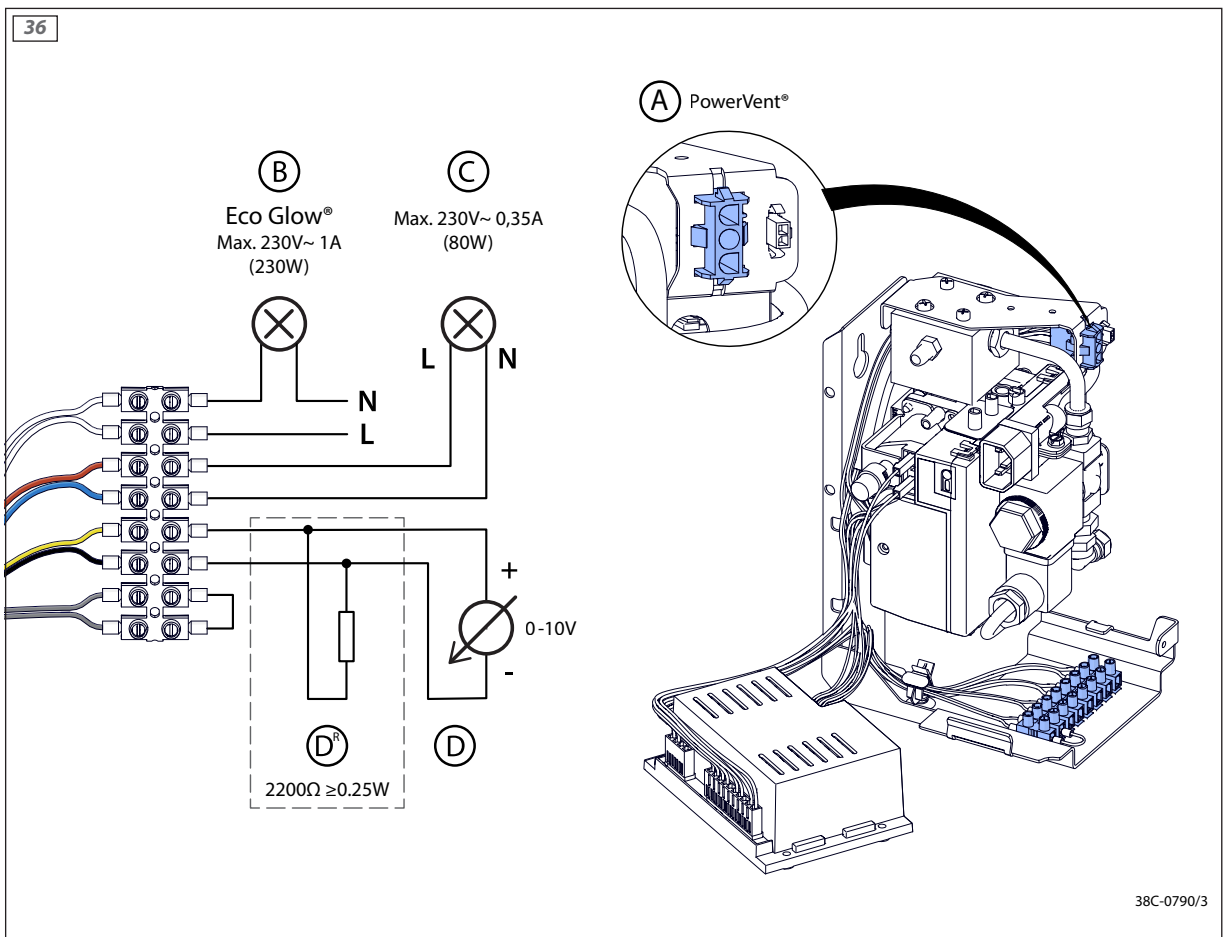
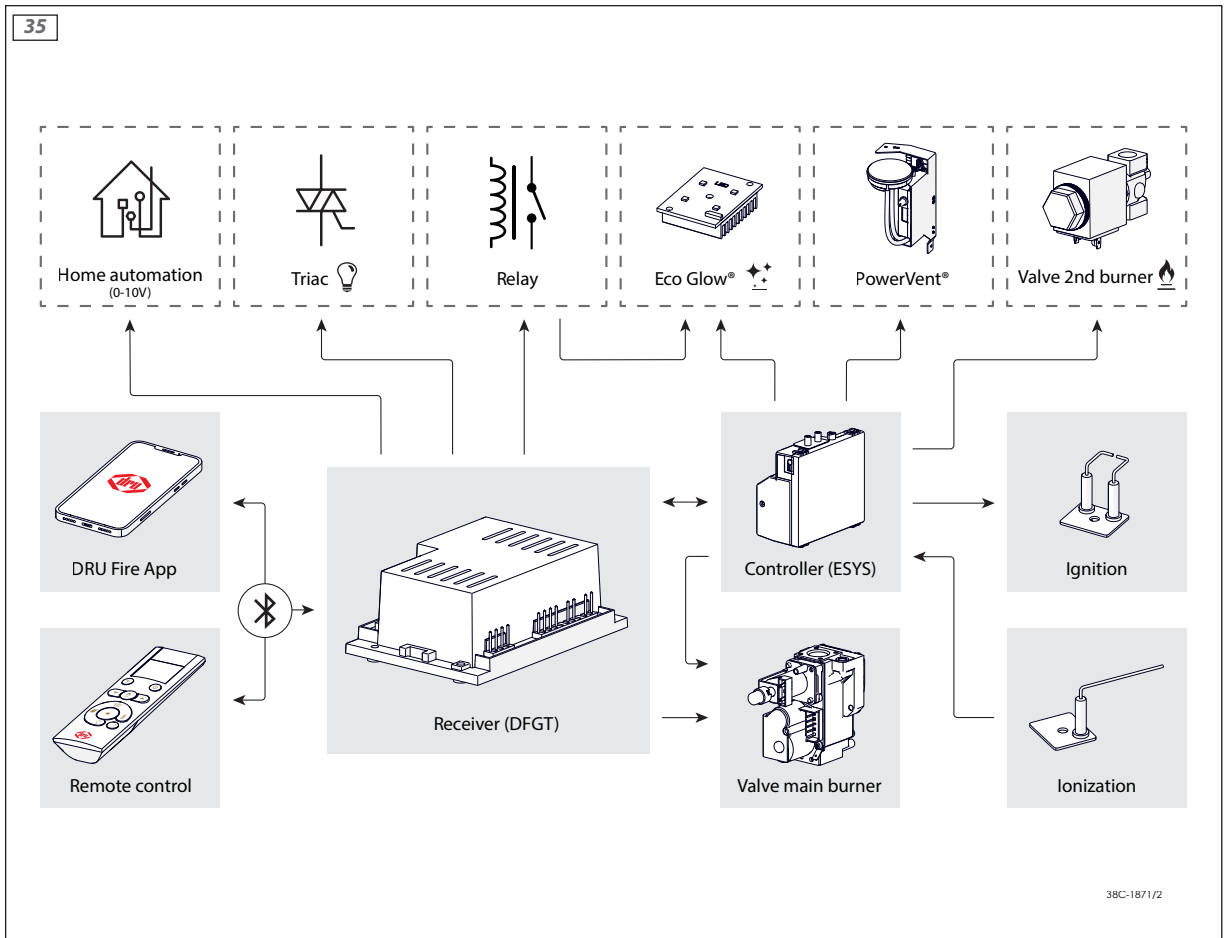
27

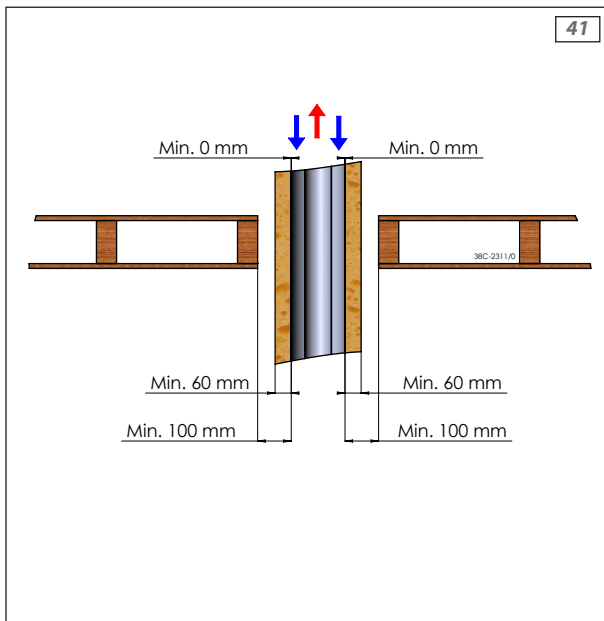
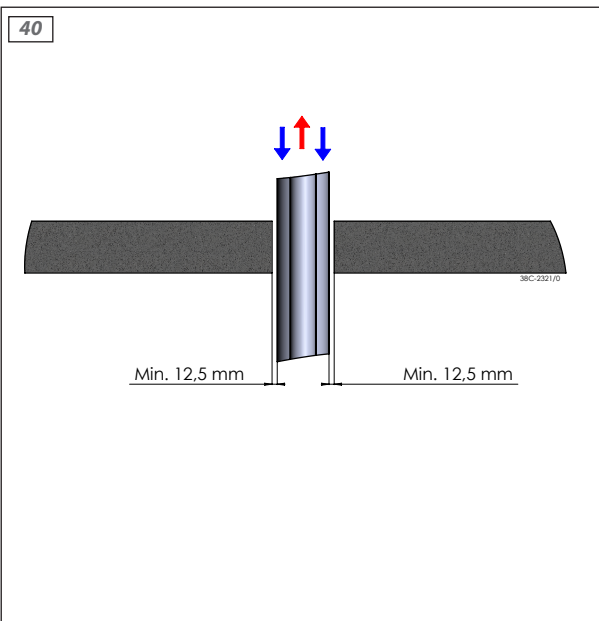
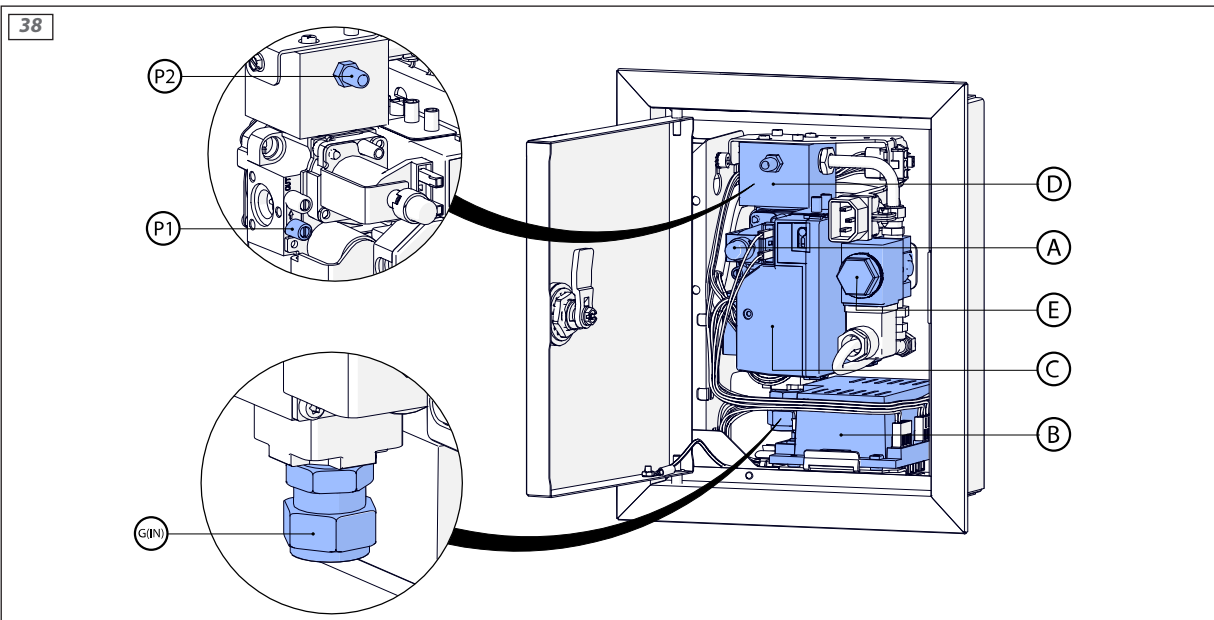
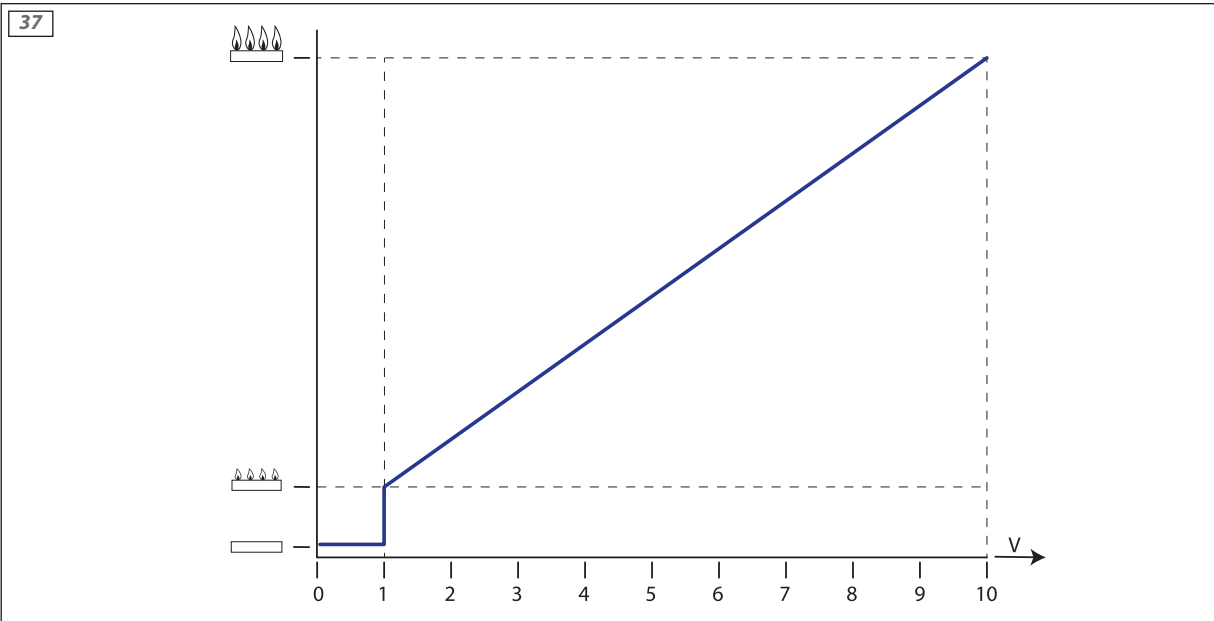


38p-0637 / 1











DRU Verwarming B.V.
The Netherlands
Postbus 1021, NL-6920 BA Duiven
Ratio 8, NL-6921 RW Duiven