



Virtuo Evolve 150

Virtuo Evolve 150/3

Installation manual

Store this document in a safe place



Index

1. Introduction	3
2. EU/UKCA - Declaration of conformity	3
3. Step-by-step installation plan	4
4. Technical data	5
5. Safety	6
5.1 General	6
5.2 Regulations	6
5.3 Safety instructions	6
6. Preparation	7
7. Installation	8
7.1 Placing the appliance	8
7.2 Placing the chimney breast	9
7.3 Additional installation options - Virtuo 150	12
7.3.1 Platform combined with lower decorative strip	12
7.3.2 Platform adjacent to the glass	12
7.3.3 Side wall adjacent to the glass	14
7.4 Additional installation options - Virtuo 150/3	16
7.4.1 Platform combined with lower decorative strip	16
7.4.2 Back wall adjacent to the glass of the side pane	18
8. The appliance	20
8.1 Glass panes	20
8.1.1 Removing the front glass pane	20
8.1.2 Placing the glass pane	20
8.1.3 Cleaning the glass pane	20
8.2 Projection plate	22
8.2.1 Removing the projection plate	22
8.2.2 Placing the projection plate	22
8.3 Metal triangle	23
8.3.1 Placing the metal triangle	23
8.4 Monitors	24
8.5 Electric connection	25
8.6 Log set	26
9. Final check	40
10. Maintenance	41
10.1 Projection plate and monitor(s)	41
10.2 Heating element	41
10.3 Parts	41
11. Malfunctions	42





1. Introduction

DRU, a manufacturer of gas-fired and electric stoves, develops and produces products that comply with the highest quality, performance and safety requirements. For that reason, this appliance has a CE label, which means that it complies with the essential requirements of the European directives. The appliance is supplied with a combined installation manual and user manual. Maintenance of the appliance should be performed by a professional certified specialist with proven knowhow and skills. A professional specialist takes into account all technical aspects, such as heating output and electrical requirements.

The information in this user and installation manual will ensure the appliance is installed in such a way that it will function properly and safely. This manual discusses the installation of the appliance and the regulations that apply to the installation. In addition, the appliance's technical data are shown and information is provided about maintenance, possible malfunctions that might occur and their possible causes. Fully and carefully read and use this installation manual before installing the appliance. National/local legislation should be observed at all times.

The flame effect of this atmospheric stove can be used with and without heating.
This DRU appliance was designed to be built into a chimney breast or mantel.

The following symbols are used in this manual to indicate important information:

-  Work to be performed.
-  Suggestions and recommendations.
-  You will need these instructions to prevent problems that might occur during installation and/or use.
-  You need these instructions to prevent fire, personal injury or other serious damages.

After final delivery, the manual should be handed over to the end user.

2. EU/UKCA - Declaration of conformity

This declaration of conformity is issued under the full responsibility of the manufacturer, hereinafter referred to as DRU. DRU declares that company internal measures guarantee that appliances produced by DRU meet the essential requirements and guidelines of the regulation concerning electric stoves and the accompanying standards. This declaration loses its validity if changes are made to the appliance without written permission from DRU. The instructions in the manuals must also be observed at all times. A copy of the EU test certificate can be downloaded via druservice.com

Product:	Electric built-in decorative fire
Type:	Virtuo Evolve 150 Virtuo Evolve 150/3
Regulations:	(EU) 2015/1188
Directives:	2014/35/EU, 2014/30/EU
Applied harmonized standards:	NEN-EN-IEC 55014-1:202 NEN-EN-IEC 55014-2:2021 NEN-EN-IEC 61000-3-2:2019 EN 61000-3-3:2013 EN 60335-1:2012/A11:2014 EN 60335-1:2012/A12:2017 EN 60335-1:2012/A13 :2017 EN 60335-1:2012/A14:2019 EN 60335-2-30:2010/A11:2012

DRU Verwarming B.V.
Postbus 1021, NL-6920 BA Duiven
Ratio 8, NL-6921 RW Duiven
www.drufire.com

Signed for and on behalf of:


R.P. Zanfinge, Managing director

Duiven, 01-08-2024

3. Step-by-step installation plan

The major points of attention of the installation are described in the check list below. Perform these steps and tick them once they have been performed correctly. After ticking all the steps, the appliance will be ready for use.

 Carefully read the manual before the appliance is installed

PREPARATION

- The packaging has been removed ([Section 6, page 7](#))
- The correct appliance has been delivered, including all parts ([Section 6, page 7](#))
- The appliance and parts are free from damage or irregularities ([Section 6, page 7](#))

INSTALLING THE APPLIANCE

- The appliance is at the correct height and has been levelled with the adjustable feet ([Section 7.1, page 8](#))
- There are no objects within the radiation range of the appliance ([Section 7.1, Page 8](#))
- The chimney breast meets the minimum dimensions ([Section 7.2, Page 9](#))
- The glass panes have been cleaned on the inside and outside ([Section 8.1, page 20](#))
- The protective film has been removed from the projection plate ([Section 8.2, page 22](#))
- The monitors and accompanying cables have been connected and positioned correctly ([Section 8.4, page 24](#))
- A 230V 50Hz power socket has been placed according to regulation ([Section 8.5, page 25](#))
- The plug of the appliance is within easy reach of the user after installation ([Section 8.5, page 25](#))
- The log set and accessories have been placed correctly ([Section 8.6, page 26](#))
- The flame picture has been checked and corresponds with the log set ([Section 8.6, page 26](#))

INSTALLING AND OPERATING THE APPLIANCE

- The remote control has been prepared for use and works correctly ([Section 9, page 40](#))
- The installation has been checked in relation to operation and safety ([Section 9, page 40](#))
- The installation complies with the applicable national and local building regulations ([Section 10, page 41](#))
- The user has been familiarised with the appliance ([Section 9, page 40](#))

4. Technical data

Check the technical data based on the table below:

Table 4-1: Technical data for Virtuo Evolve 150 & Virtuo Evolve 150/3

Type	
Model identifier(s)	Virtuo Evolve 150 Virtuo Evolve 150/3
Type of appliance	Electric built-in decorative fire
Heating type	Electric
Connection	230V AC, 50 Hz
Radiation range safe distance (front/side)	50 cm / 20 cm
Heat output	
Nominal heat output	2kW
Minimum heat output	1kW
Maximum continuous heat output	2kW
Auxiliary electricity consumption	
At nominal heat output	80W
At minimum heat output	80W
In stand-by mode	<2.7W

5. Safety

5.1 General

- ⚠ Observe the generally applicable regulations and precautions/safety instructions in this manual.
 - First check that the technical execution of the appliance to be installed is correct (table 4-1).
 - Read this manual carefully to ensure the proper and safe installation of the appliance.
 - Observe the regulations/instructions in this manual.

5.2 Regulations

Install the appliance according to the applicable national, local and building (installation) regulations.

5.3 Safety instructions

Carefully observe the following precautions/safety instructions:

- ⚠
 - Installation and maintenance of the appliance should only be performed by a recognised and skilled installer.
 - After installation, the socket to which the appliance is connected should be accessible at all times.
 - Take into account the minimum internal dimensions of the chimney breast when installing a built-in appliance (fig. 7-3, 7-4, 7-5 and 7-6)
 - This atmospheric appliance is not suitable for use as a primary heating source.
 - Do not cover the appliance and/or do not wrap it in an insulation blanket or any other material.
 - Do not use the appliance outdoors.
 - Only use the supplied materials and place them exactly as described.
 - Do not make any changes to the appliance yourself.
 - Keep combustible objects and/or materials outside the appliance's radiation range (see fig. 7-1 and 7-2).
 - Always keep the convection opening at the front of the appliance free so that warm air is able to circulate freely.
 - The appliance was designed for atmospheric heating purposes. This means that all visible surfaces, including the glass pane, can become hotter than 100°C. People who have poor perception of the consequences of their actions should never be alone near a heating appliance, it is also recommended to place a temporary protective grille in front of the appliance. If it is possible that vulnerable people are regularly present in the room, a fixed guard should be mounted around the appliance. If it is possible that vulnerable people are regularly present in the room without supervision, a fixed guard should be mounted around the appliance.
 - Do not allow children or helpless people near the appliance without supervision. Also keep the remote control out of their reach.
 - Children of less than 3 years should be kept away unless continuously supervised.
 - Children aged from 3 years and less than 8 years shall only switch on/off the appliance provided that it has been placed or installed in its intended normal operating position and they have been given supervision or instruction concerning use of the appliance in a safe way and understand the hazards involved. Children aged from 3 years and less than 8 years shall not plug in, regulate nor clean the appliance or perform user maintenance.
 - Some parts of this product can become very hot and cause burns. Particular attention has to be given where children and vulnerable people are present.
 - Do not use this appliance in combination with external control equipment, such as timers, thermal controllers or programmed controllers, which automatically switch on the appliance.
 - Do not place the appliance in a damp room or near a bath, shower or swimming pool.
 - Check the complete installation prior to commissioning.
 - Do not use the appliance when a glass pane is broken and/or cracked, until it has been replaced.

6. Preparation

Note the following items when removing the packaging:

- Remove all packaging and protective materials.
 - Take away all supplied parts in, on and/or attached to the appliance.
 - Check the appliance and accessories for (transport) damage.
 - Contact the supplier if necessary.
 - Never install an appliance that is damaged!
 - Remove the screws and brackets that secure the device to the pallet.
 - Packaging must be disposed of by means of the applicable separation methods.
- ⚠ Keep plastic bags away from children.
 - ⚠ Protect the monitors and other electric components against (building) dust and (building) damp!
- Table 6-1 indicates which components should be available after removing the packaging.
- Contact the supplier if you find that not all components have been supplied.
 - ⚠ Packaging must be disposed of in accordance with the regulations.

Table 6-1: Parts included with the delivery

	Part	Amount
Documentation	User manual	1
	Installation manual	1
Wood logs set	Wood logs	12
	Chips, zwart	3
	Chips, grijs	2
Glowing ember set	Coals, black	3
	Coals, grey	1
	Glowing embers	9
	Wood chips set	2
Accessories	Remote control	1
	Penlite batteries (AA)	2
	Reserve boutjes	2
	Boutjes t.b.v. monitor bevestiging	8
	Socket spanner	1
	Suction cup	2
Components	Monitor	2
	Metal triangle (Virtuo 150/3)	2

7. Installation

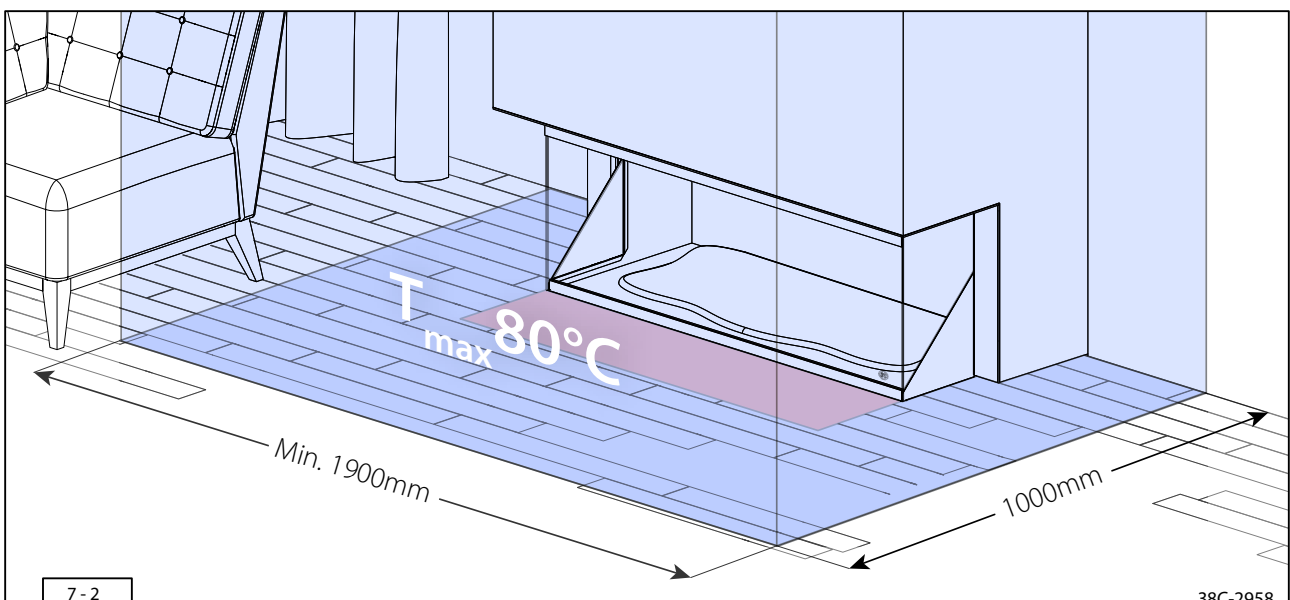
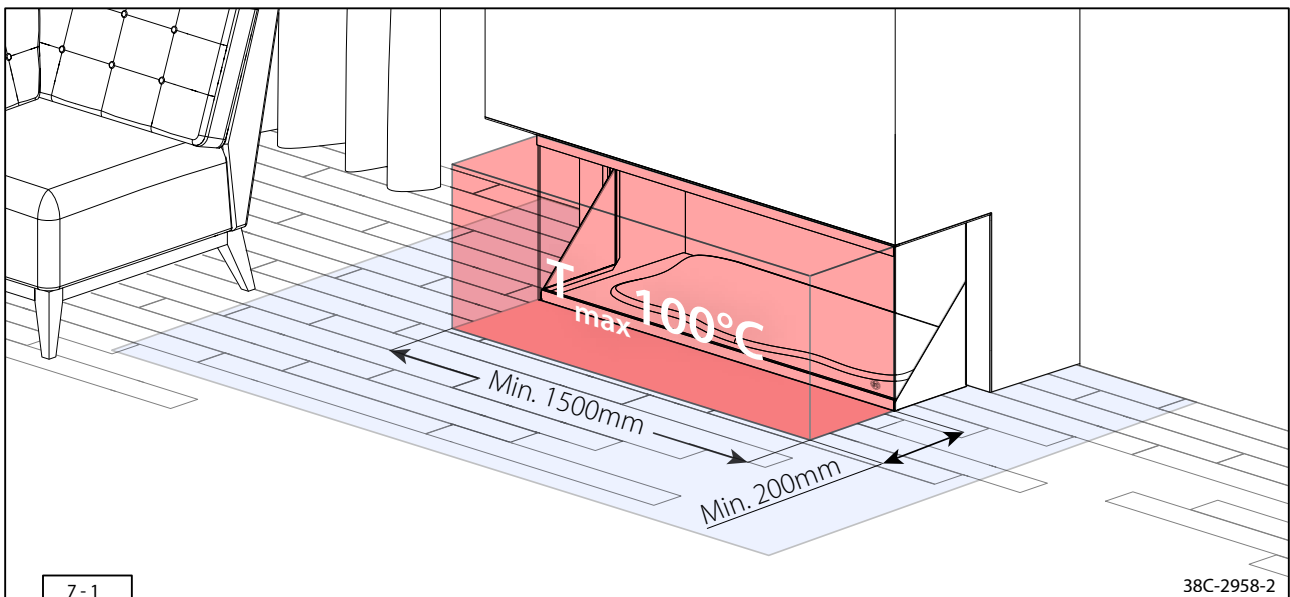
7.1 Placing the appliance

Separate sections describe different ways of placing the appliance. The general description below for placing the appliance applies to all these sections:

- ⚠ Place the appliance on the location where it will be installed and take the following into account:
 - The construction dimensions of the appliance (fig. 7-3 and 7-5).
 - The minimum chimney breast dimensions (fig. 7-4 and 7-6).
 - Electrical connection available in accordance with regulations (section 8.5)
 - There are no combustible objects or materials within the radiation range of the appliance (fig. 7-1 and 7-2).
 - Place the appliance in such a way that a fire hazardous situation can never occur.
 - A stable arrangement has been achieved for the appliance to be installed.

When placing the appliance, observe the following instructions:

- ⚠ The appliance should always be placed on the adjustable feet.
- Set the height of the appliance using the adjustable feet and level the appliance.



7.2 Placing the chimney breast

The appliance must be built in by means of a chimney breast. It is important to ensure that the appliance does not act as a supporting element and that the correct drying time of the used finishing materials are taken into account. Follow the instructions and warnings below:



- The appliance must always be built in by means of a chimney breast.
- Make sure the appliance does not have to bear the weight of the chimney breast.
- When using stone-like materials and or plaster finishing, allow the chimneybreast to dry for at least six weeks prior to using the heater in the appliance in order to prevent cracks from appearing. During the drying period it is possible to use the appliance with the heater switched off.

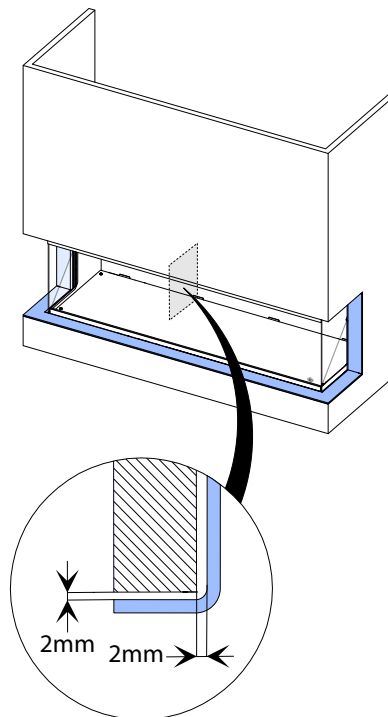
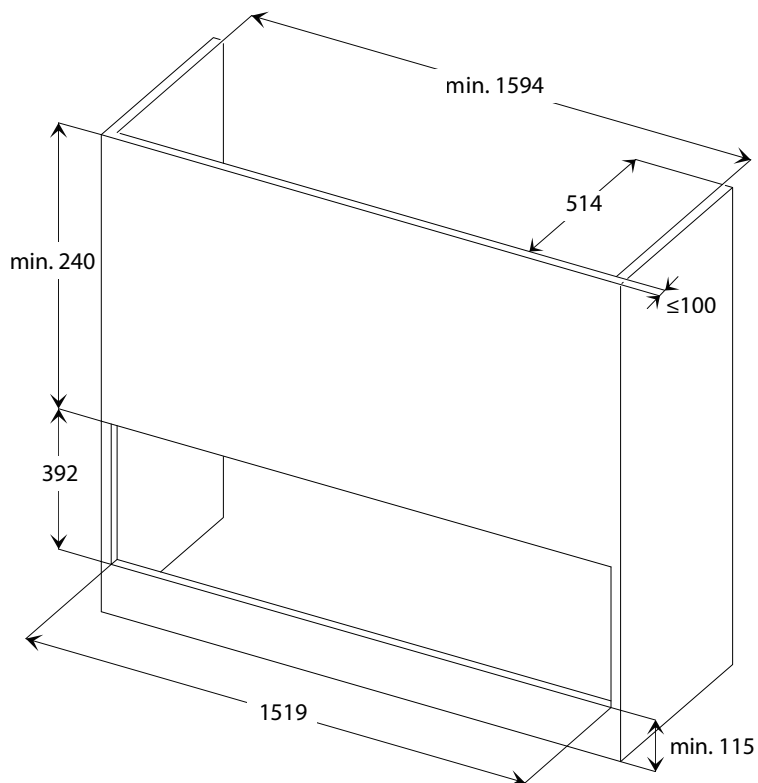
Take the following steps into account when placing the chimney breast:

- The minimum internal dimensions of the chimney breast (fig. 7-3 and 7-5).
- The dimensions of the glass pane, so that it can be placed/removed after placing the chimney breast.
- Placement of decorative strips, frames and such like; if possible, place them after the performance of any structural work. Use good quality painting tape and remove this tape after plastering or painting work.

Check the following items, before the chimney breast is fully closed:

- No plastering work been performed on or across the edges of the construction frame.
- The plastering does not hinder the placement and removal of the glass pane.

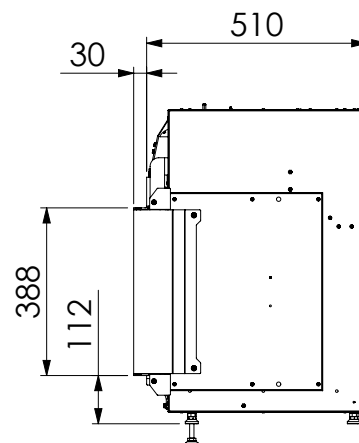
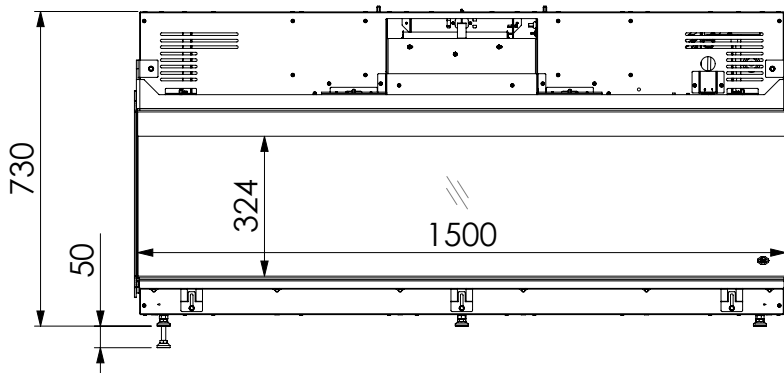
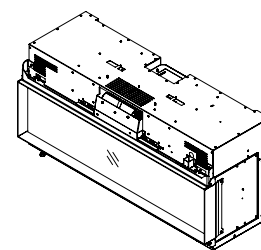
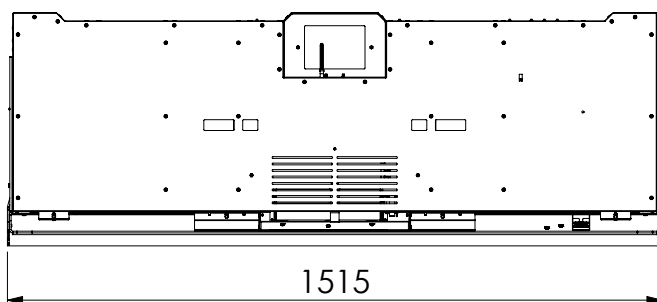
Virtuo Evolve 150



7-3

38C-2963

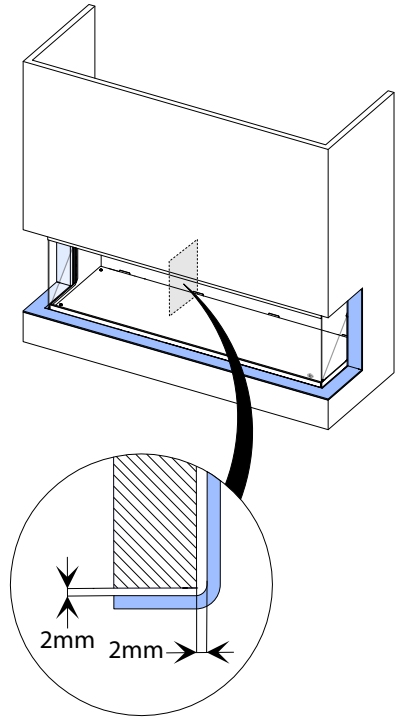
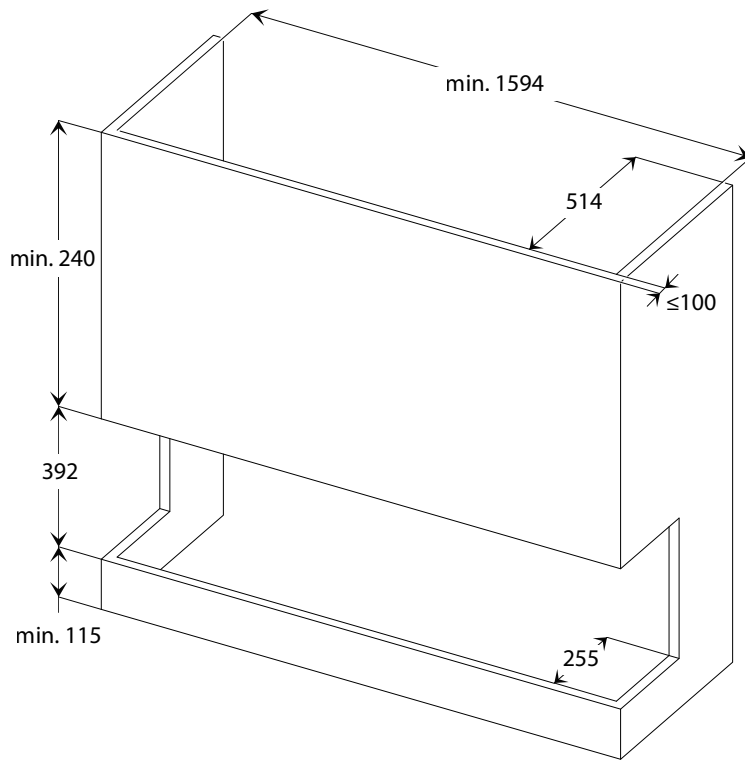
Virtuo Evolve 150



7-4

38C-2959

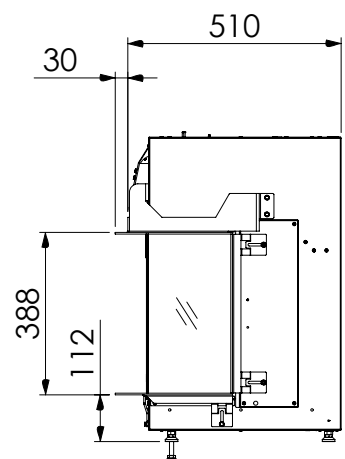
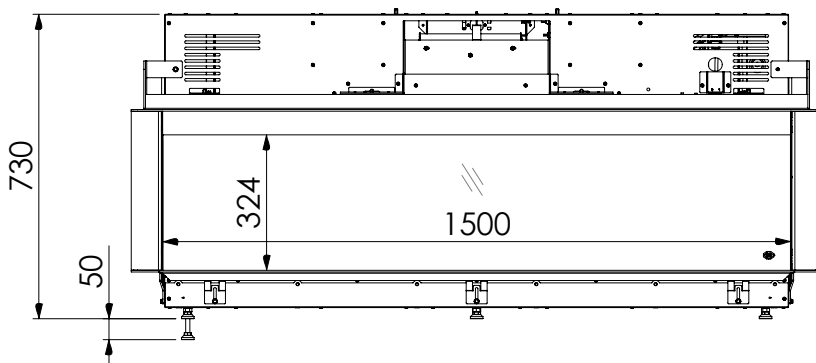
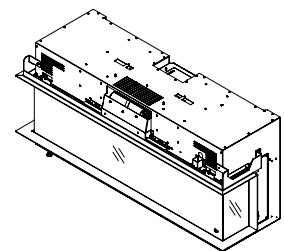
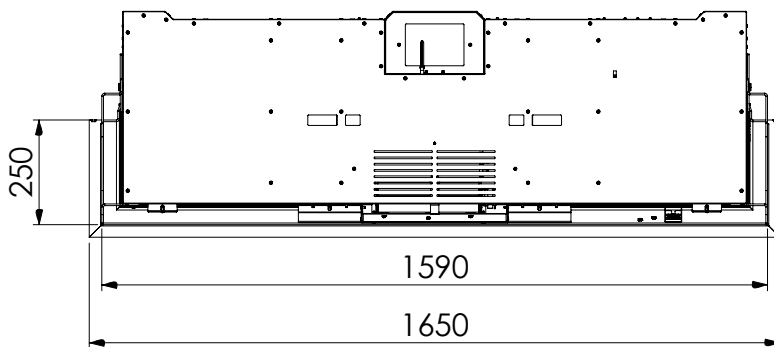
Virtuo Evolve 150/3



7-5

38C-2963/3

Virtuo Evolve 150/3



7-6

38C-2960

7.3 Additional installation options - Virtuo 150

The appliance can be placed with a platform (fig. 7-7). This can be done in combination with a lower decorative strip (options A and C) or with the platform connecting to the glass (options B and D). The accompanying chimney breast can be used with (options A and B) or without (options C and D) a false wall. It is also possible to have the interior plate of the appliance continue to the outside (fig. 7-7). The chimney breast can be placed up to the side glass pane(s).

- ⚠ Do not allow the weight of the platform to rest on the appliance, use the assembly set instead. This can be ordered separately.

7.3.1 Platform combined with lower decorative strip

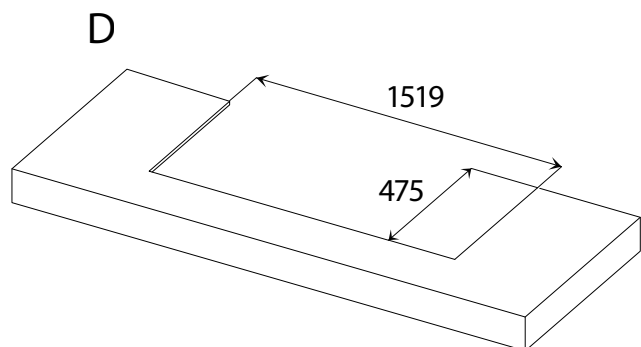
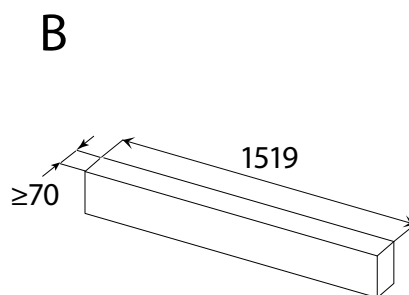
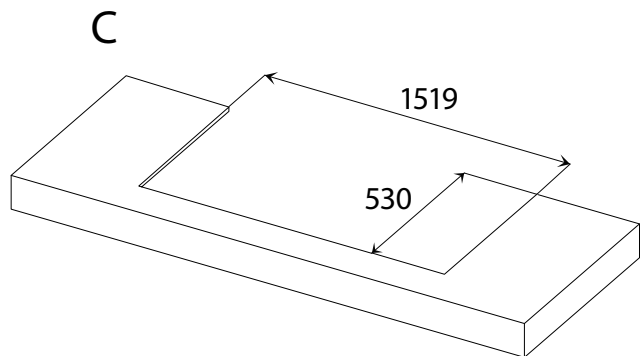
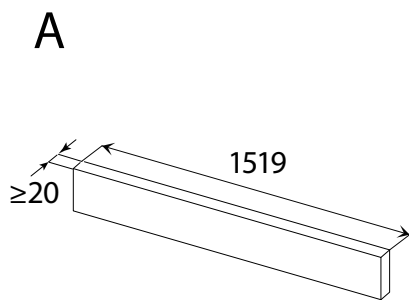
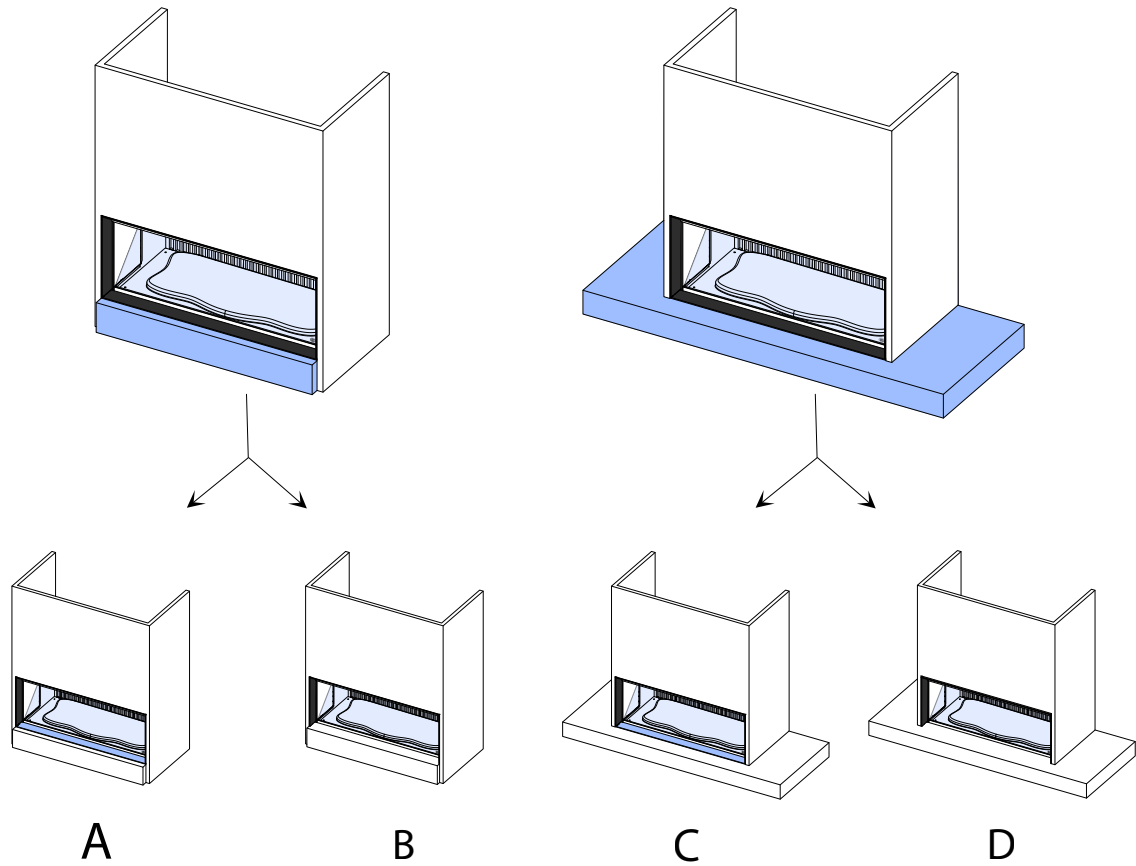
- Create a recess in the platform, in which the appliance will be placed. (see fig. 7-7 A and C) for options and Dimensions.
- Mutually adjust the height of the appliance and assembly set, so that the top side of the platform connects to the bottom side of the lower decorative strip.

7.3.2 Platform adjacent to the glass

To connect the platform to the glass pane, the decorative strip should be lowered. Take the following into account:

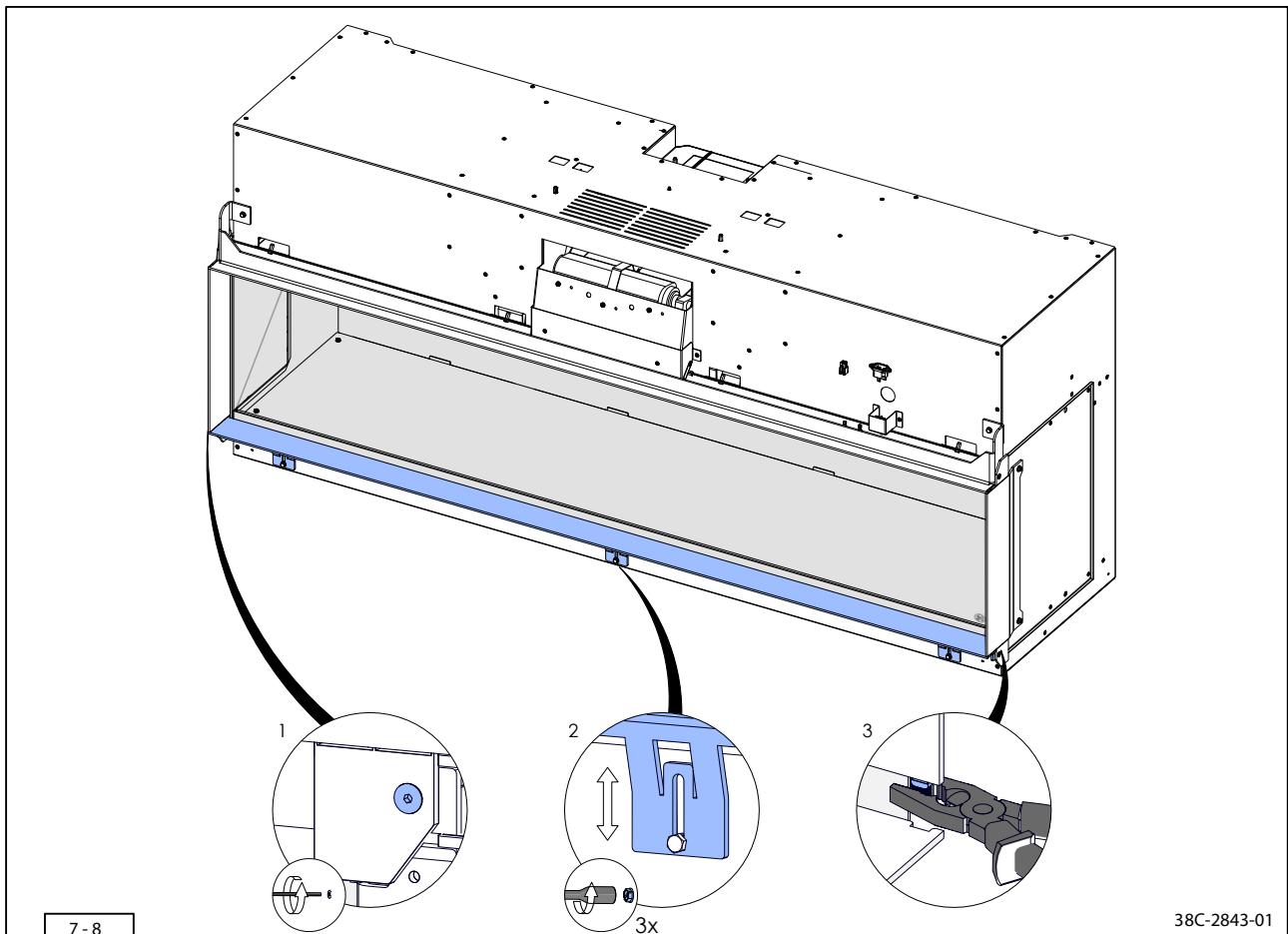
- ⚠
 - Make sure that the end of the decorative strip remains level (fig. 7-8 steps 2 and 3).
 - Do not allow the weight of the platform to rest on the appliance and/or the adjustable profile.
 - Make sure there is 5 mm space between the platform and the springy glass pane strip.
- Create a recess in the platform, in which the appliance will be placed. Maximum material thickness is 30 mm (fig. 7-7 B and D) for options and dimensions.
- Remove the Allen screws on both sides of the lower decorative strip. (fig. 7-8 step 1)
- Lower the lower decorative strip (see fig. 7-8 step 2) by loosening the screws by a few turns. Place the lower decorative strip at the required height and tighten the screws again.
- Remove the centring ring at the bottom of the vertical decorative strip by breaking it off at the front (fig. 7-8 step 3)

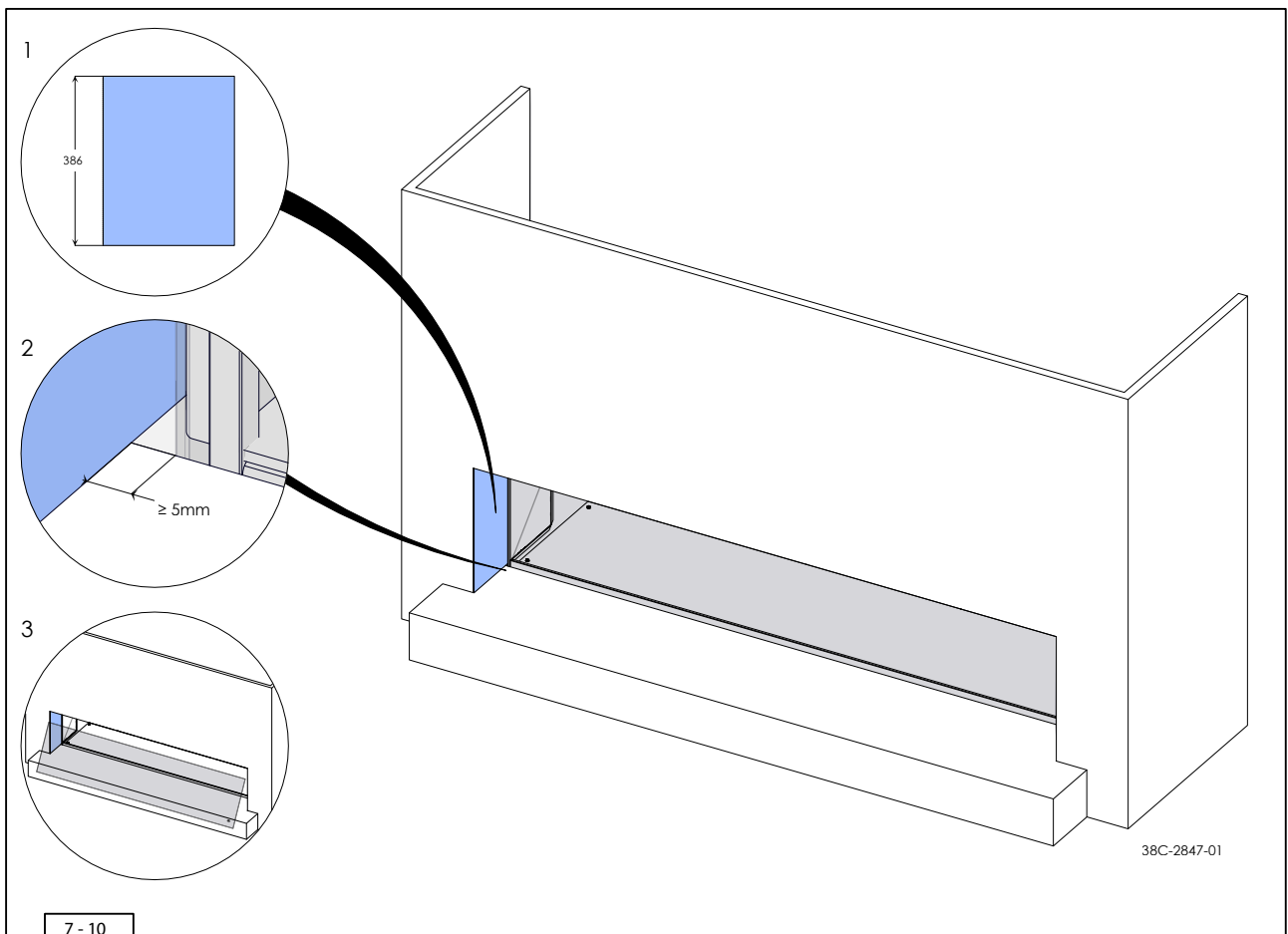
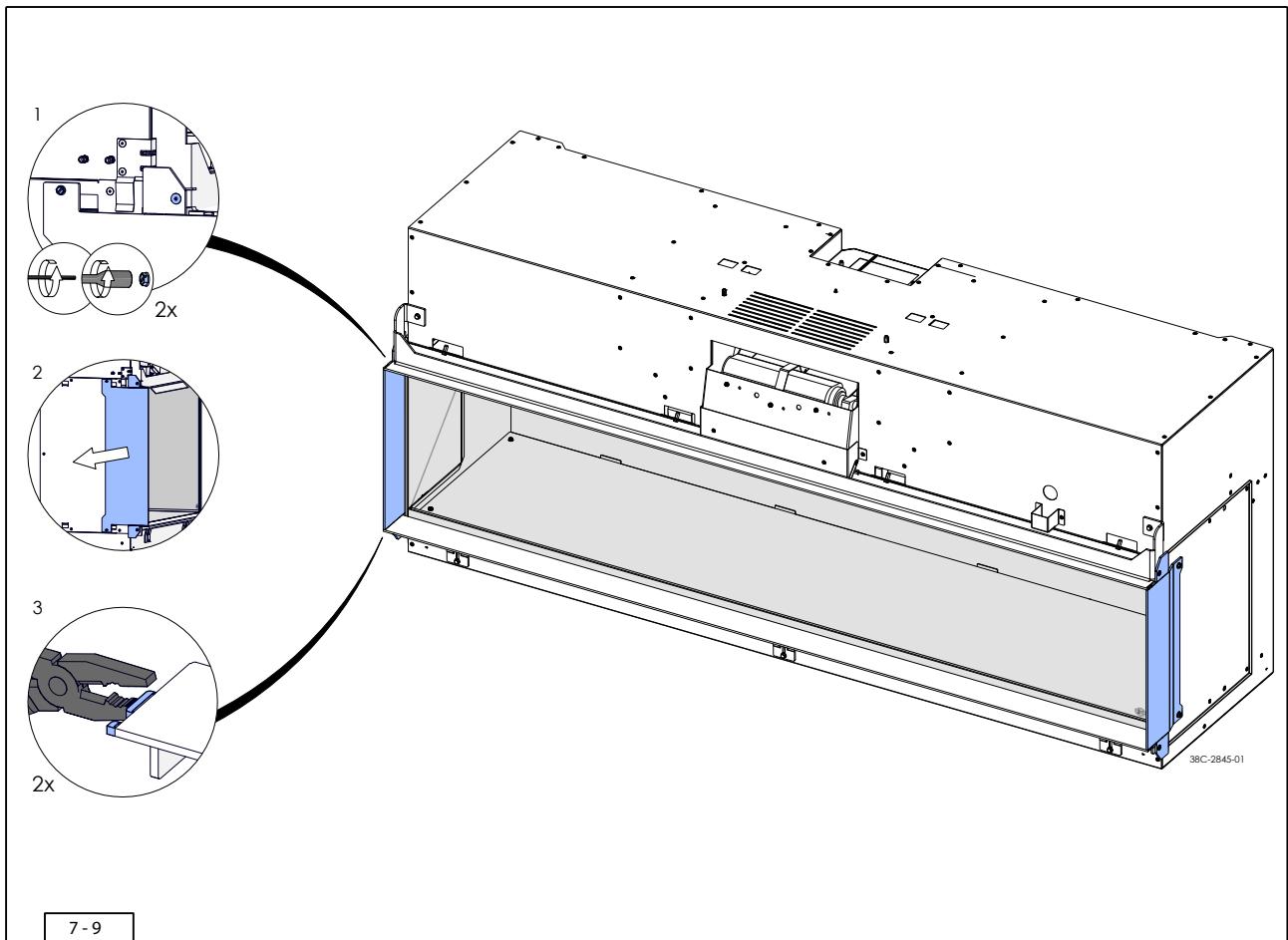
Virtuo Evolve 150



7.3.3 Side wall adjacent to the glass

- ⚠ Where materials are installed up to the glass, heat-resistant material capable of withstanding temperatures of at least 85°C must be used.
- ⚠ Ensure a minimum space of 5mm between the wall and the glass pane.
- Remove the vertical decorative strip on the left and right side by removing the 2 recessed-head screws and 2 self-tapping screws (fig. 7-9 Steps 1 and 2).
- Remove the centring block at the ends of the upper and lower decorative strip by cutting into it and breaking it off (see fig. 7-9 step 3).
- Make sure the side wall to be placed has the correct dimensions (fig. 7-10).
- Repeat the above-mentioned steps for the other side, if applicable for the configuration.





7.4 Additional installation options - Virtuo 150/3

The appliance can be placed with a platform (fig. 7-11). This can be done in combination with a lower decorative strip (options A and C) or with the platform connecting to the glass (options B and D). The accompanying chimney breast can be used with (options A and B) or without (options C and D) a false wall. It is also possible to have the interior plate of the appliance continue to the outside (fig. 7-11). The chimney breast can be placed up to the side glass pane(s).

- ⚠ Do not allow the weight of the platform to rest on the appliance, use the assembly set instead. This can be ordered separately.

7.4.1 Platform combined with lower decorative strip

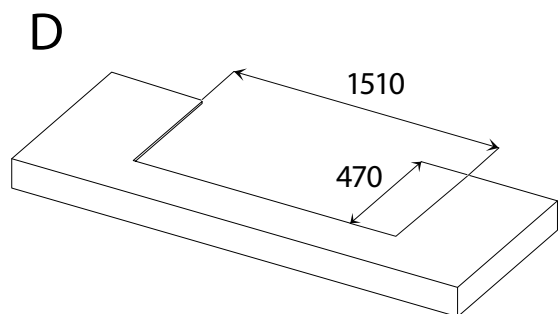
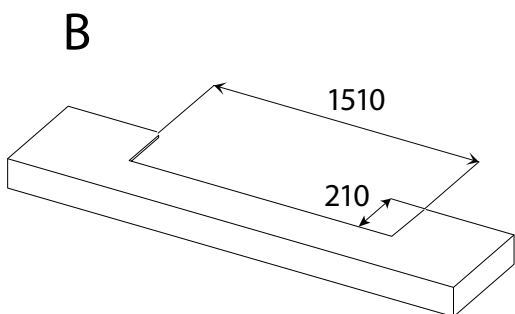
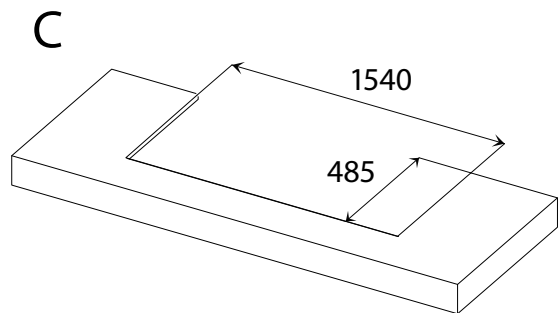
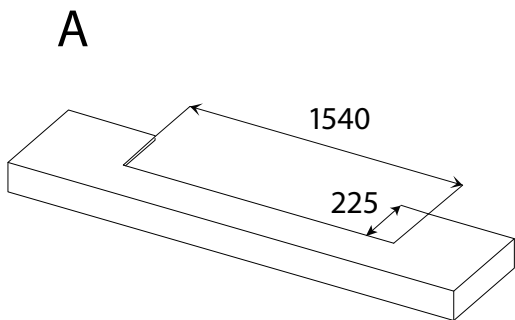
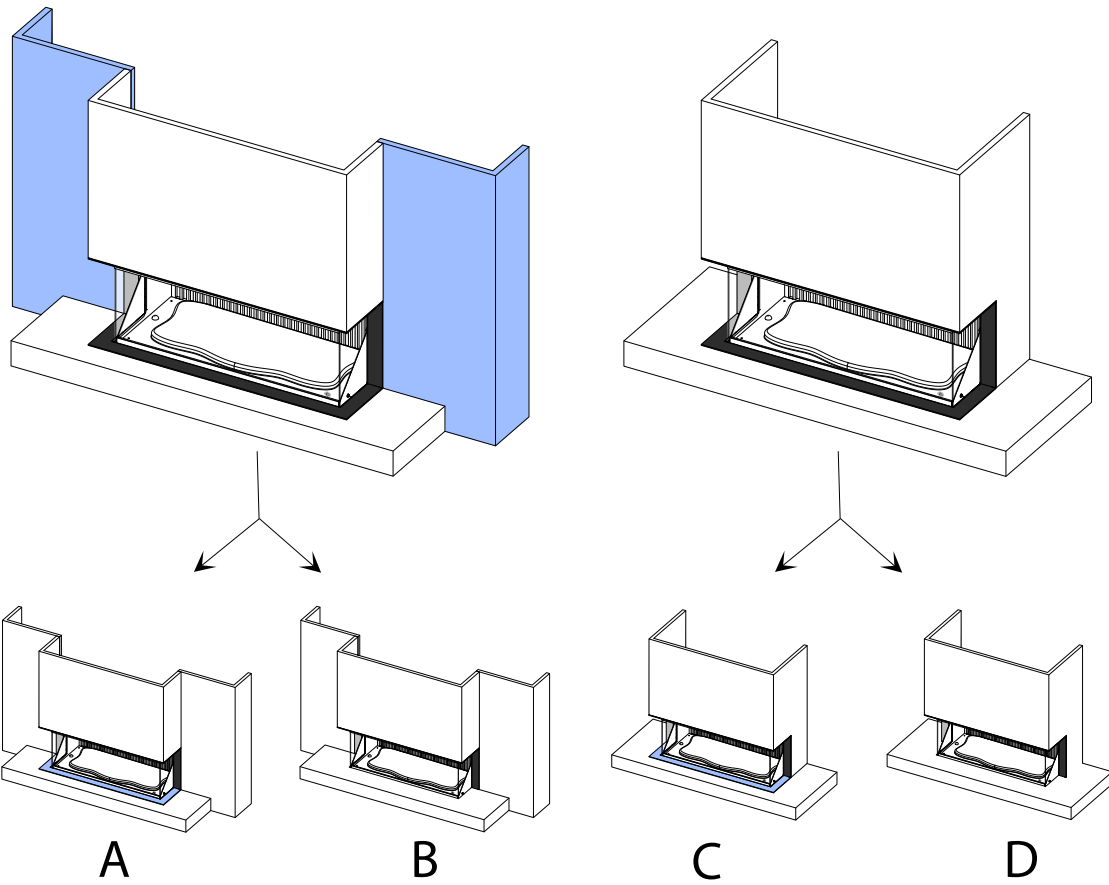
- Create a recess in the platform, in which the appliance will be placed. (fig. 7-11 A and C) for options and dimensions.
- ⚠ If a false wall is used, the recess will be less deep.
- Adjust the height of the appliance, so that the top side of the platform connects to the bottom side of the lower decorative strip.

7.3.2 Platform adjacent to the glass

To connect the platform to the glass pane, the decorative strip should be lowered. Take the following into account:

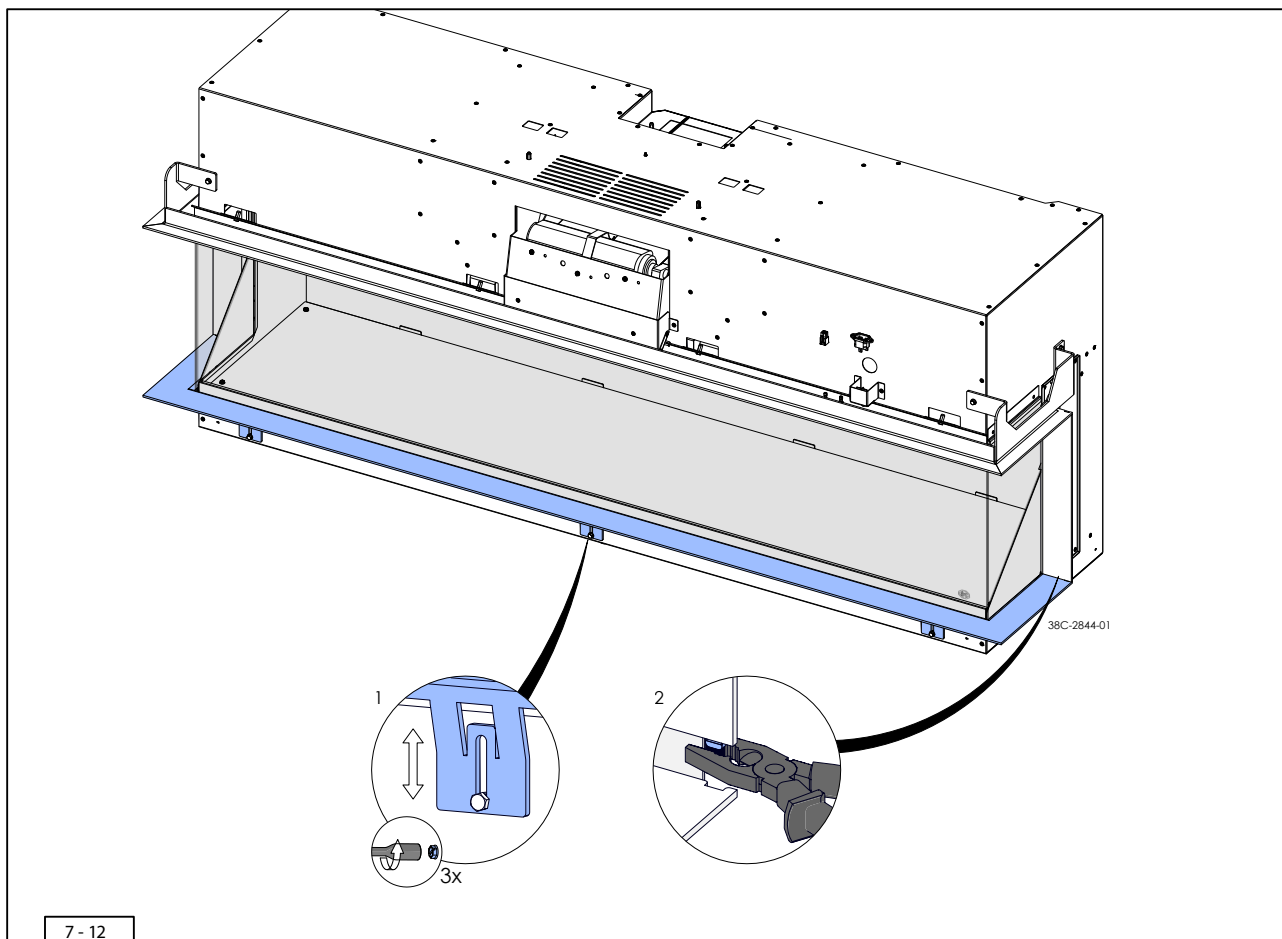
- ⚠ - Make sure that the end of the decorative strip remains level (fig. 7-11 steps 1 and 2).
- Do not allow the weight of the platform to rest on the appliance and/or the adjustable profile.
- Make sure there is 5 mm space between the platform and the springy glass pane strip.
- Create a recess in the platform, in which the appliance will be placed. The maximum material thickness is 30 mm (fig. 7-11 B and D) for options and dimensions.
- ⚠ If a false wall is used, the recess will be less deep.
- Lower the lower decorative strip (see fig. 7-12 step 1) by loosening the four screws by a few turns. Place the lower decorative strip at the required height and tighten the screws again.
- Remove the centring ring at the bottom of the vertical decorative strip by breaking it off at the front (fig. 7-12 step 2)

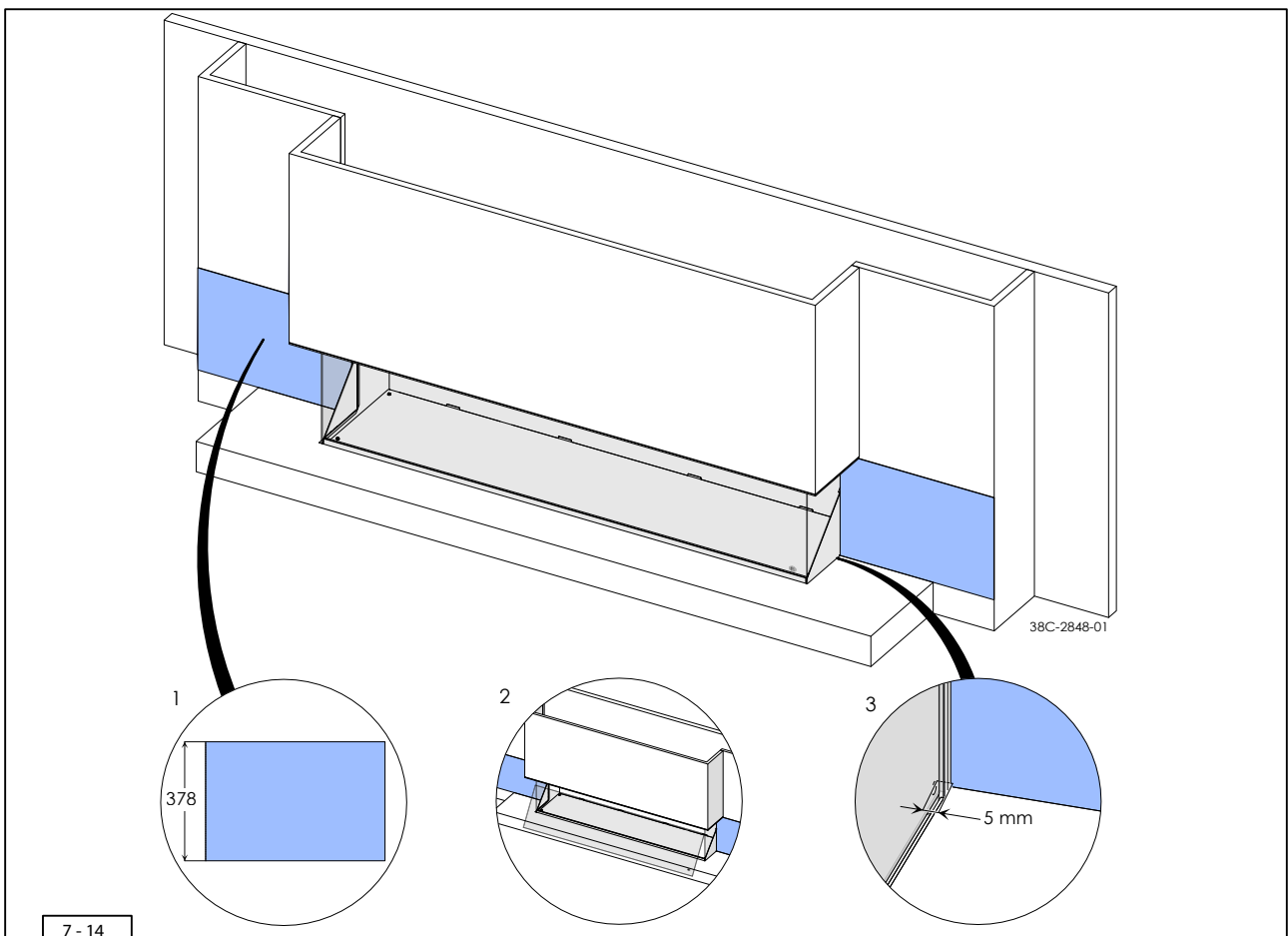
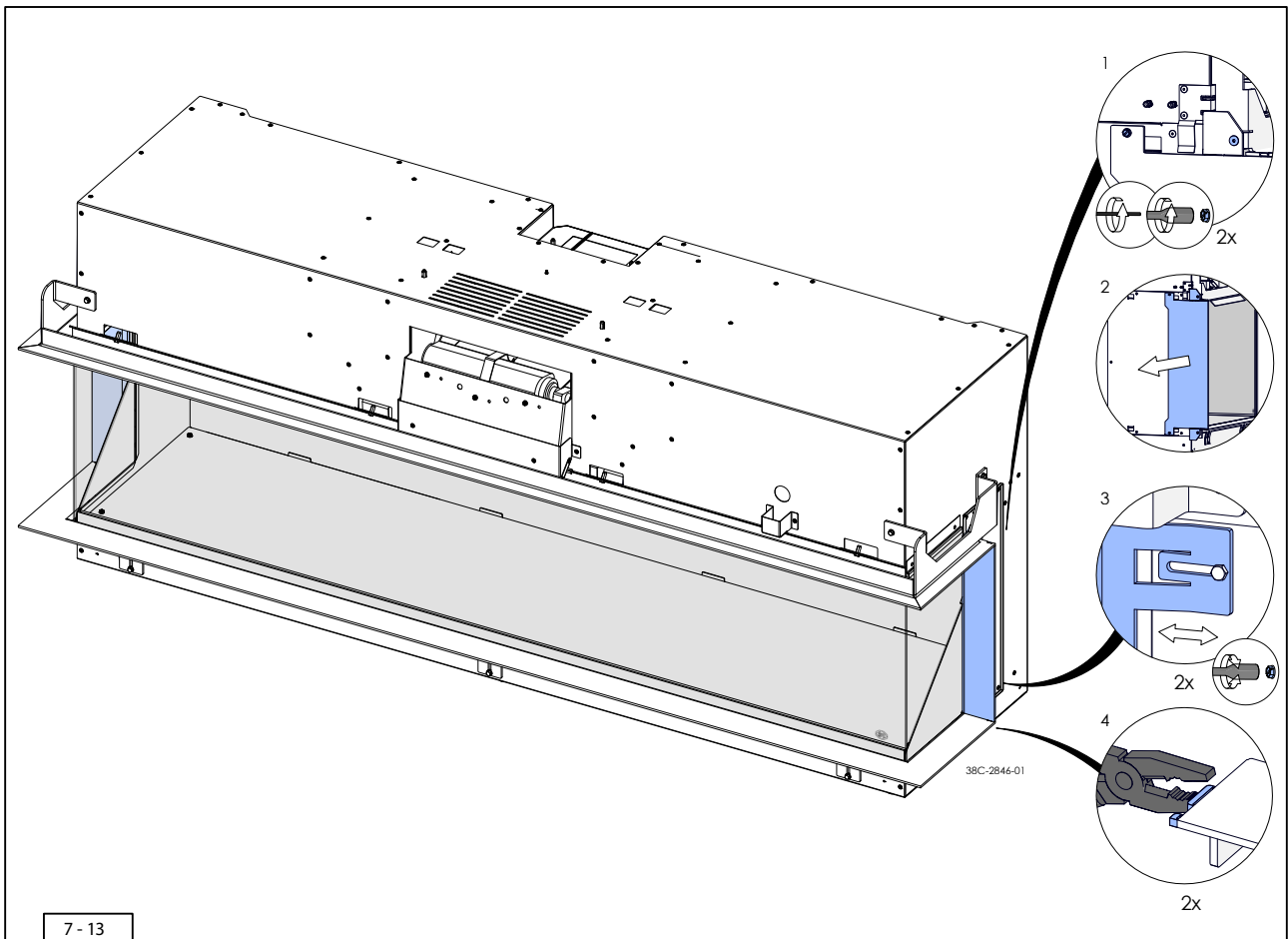
Virtuo Evolve 150/3



7.4.2 Back wall adjacent to the glass of the side pane

- ⚠ Where materials are installed up to the glass, heat-resistant material capable of withstanding temperatures of at least 85°C must be used.
- ⚠ Ensure a minimum space of 5mm between the wall and the glass pane.
- Move the vertical decorative strip (fig. 7-13 Steps 1 and 2) by loosening the two bolts by a few turns. Place it at the required depth and tighten the bolts again.
- Make sure the back wall to be placed has the correct dimensions (fig. 7-18 Step 1).
- Place the wall between the upper and lower decorative strip (see fig. 7-18 Step 2).
- Repeat the above-mentioned steps for the other side, if applicable for the configuration.






8. The appliance








8.1 Glass panes

The wood set and monitor(s) are supplied separately. These can be fitted after the glass panes and projection plate are removed. After placement of the wood set, projection plate and monitor(s) (see sections 8.2, 8.3 and 8.4), it is possible to place the glass panes:

-  Avoid damaging the glass panes during removal/placing.





8.1.1 Removing the front glass pane

Observe the following instructions for removing the front glass pane (see fig. 8-1).

-  Prevent the glass pane from getting damaged.
-  Place the suction cup on the glass pane to remove it from the appliance;
-  Unscrew the bolts of the glass strip on the top side and remove them together with the glass strip;
-  Properly hold the glass pane on both sides or the suction cup;
-  Tilt the top of the glass pane towards you;
-  Carefully lift up the glass pane and tilt the bottom of the glass pane towards you;
-  Remove the glass pane.




8.1.2 Placing the glass pane

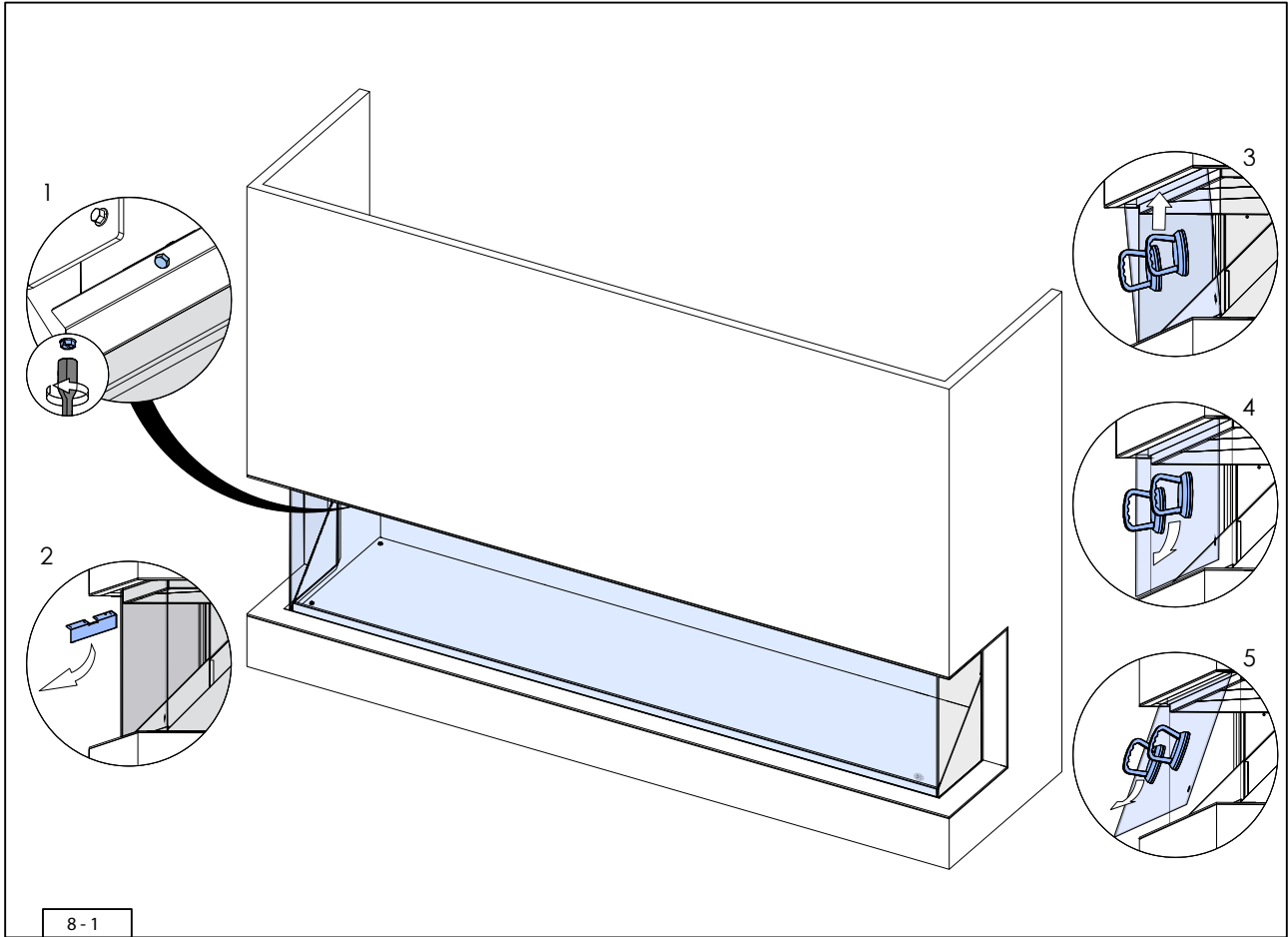
Placing the glass pane will take place in reverse order of removing the glass pane, as described above:

-  Make sure that the groove of the glass pane strip at the bottom side is free from dirt and chips before the glass pane is placed.
-  Place the glass pane with the logo at the bottom right.
-  Do not over-tighten the bolts, as they could break or the thread could be stripped.
-  Make sure the front glass pane fully connects to the side pane(s)

8.1.3 Cleaning the glass pane

For an optimum experience of the appliance, it is recommended to clean the glass pane.

-  The glass pane(s) to be cleaned should be cooled down to room temperature.
-  Avoid damage to the glass pane(s).
 -  - Use a damp microfibre cloth. Other materials such as (kitchen) paper, steel wool, etc., could cause scratches.
 - It is recommended to use a good quality glass cleaner as a detergent for the glass panes.
 - Always wear cotton gloves during the cleaning process to prevent the introduction of new fingerprints.



8.2 Projection plate

After placement of the wood set (see section 8.6), it is possible to place the projection plate:

When taking the projection plate into operation, take note of the following:

- ⚠ - Slowly remove the film when using for the first time. Removing the film slowly will result in less static charge than when this is done quickly.
- Use the (provided) suction cap(s) to prevent fingerprints and damage.
- Place this projection plate exactly as described for the best possible flame picture.

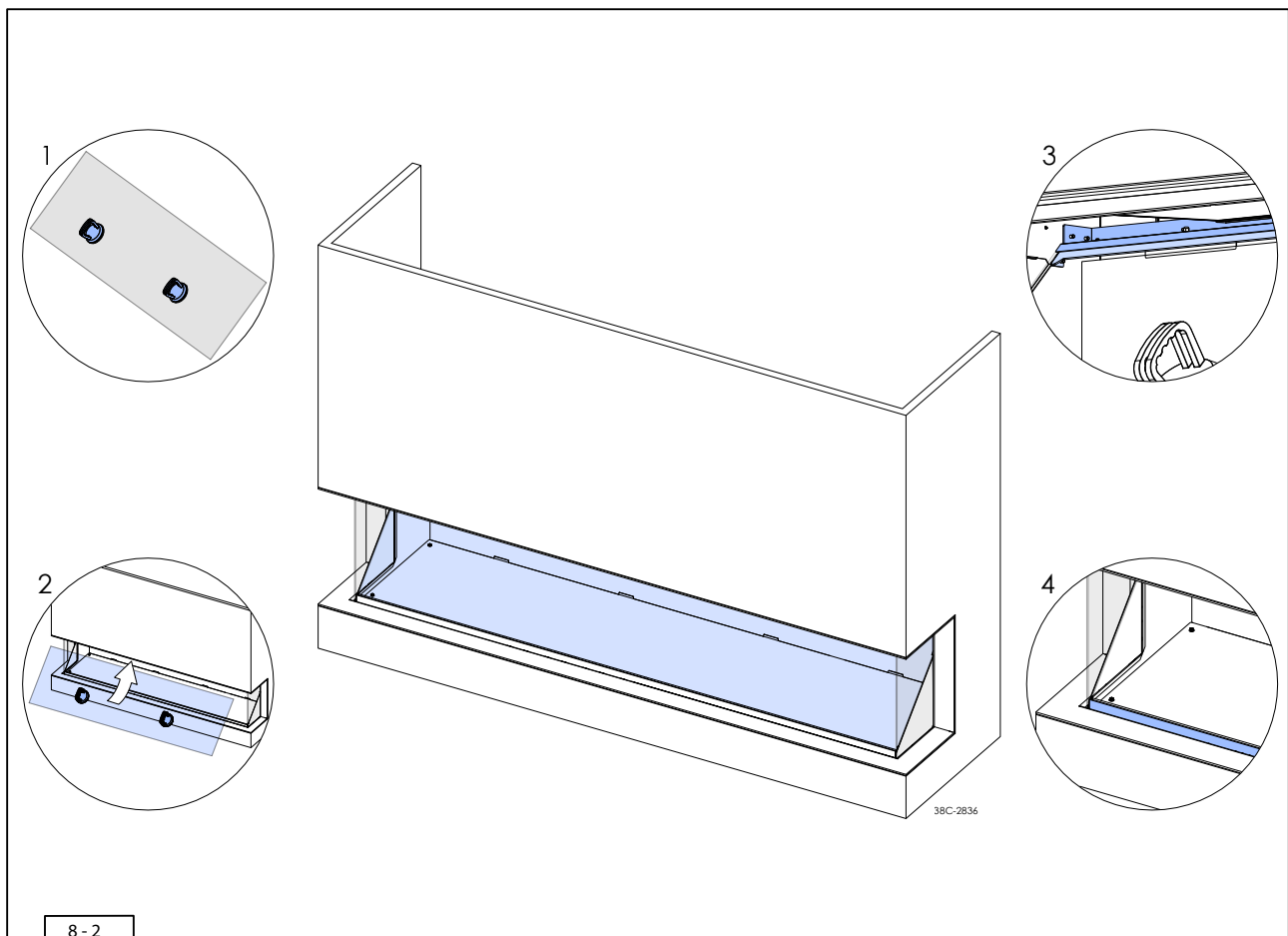
8.2.1 Removing the projection plate

Removing the projection plate will take place in reverse order of the placement described above.

- ⚠ Prevent the plate from getting damaged.
- 💡 Place the suction cups on the projection plate to remove it from the appliance;
- Hold the suction cup tightly;
- Carefully lift up the plate and tilt the bottom towards you;
- Remove the projection plate.

8.2.2 Placing the projection plate

- Place the suction caps on the left and right side of the projection plate. (fig. 8-2, step 1).
- ⚠ Ensure the suction caps are firmly attached to the projection plate.
- Then slide the plate diagonally into the stove, while clamping the top side of the plate in the bracket intended for that purpose. (fig. 8-2, steps 2 and 3)
- Carefully lower the projection plate until it falls into the frame at the bottom. (fig. 8-2, step 4)
- ⚠ Avoid damage to the projection plate.
 - 💡 - Blow off the dust with air or use a feather duster. Other materials such as (kitchen) paper, microfibre cloth, steel wool, etc., could cause scratches.
 - Do not use any cleaning detergents.
 - Always wear cotton gloves during the cleaning process to prevent the introduction of new fingerprints.



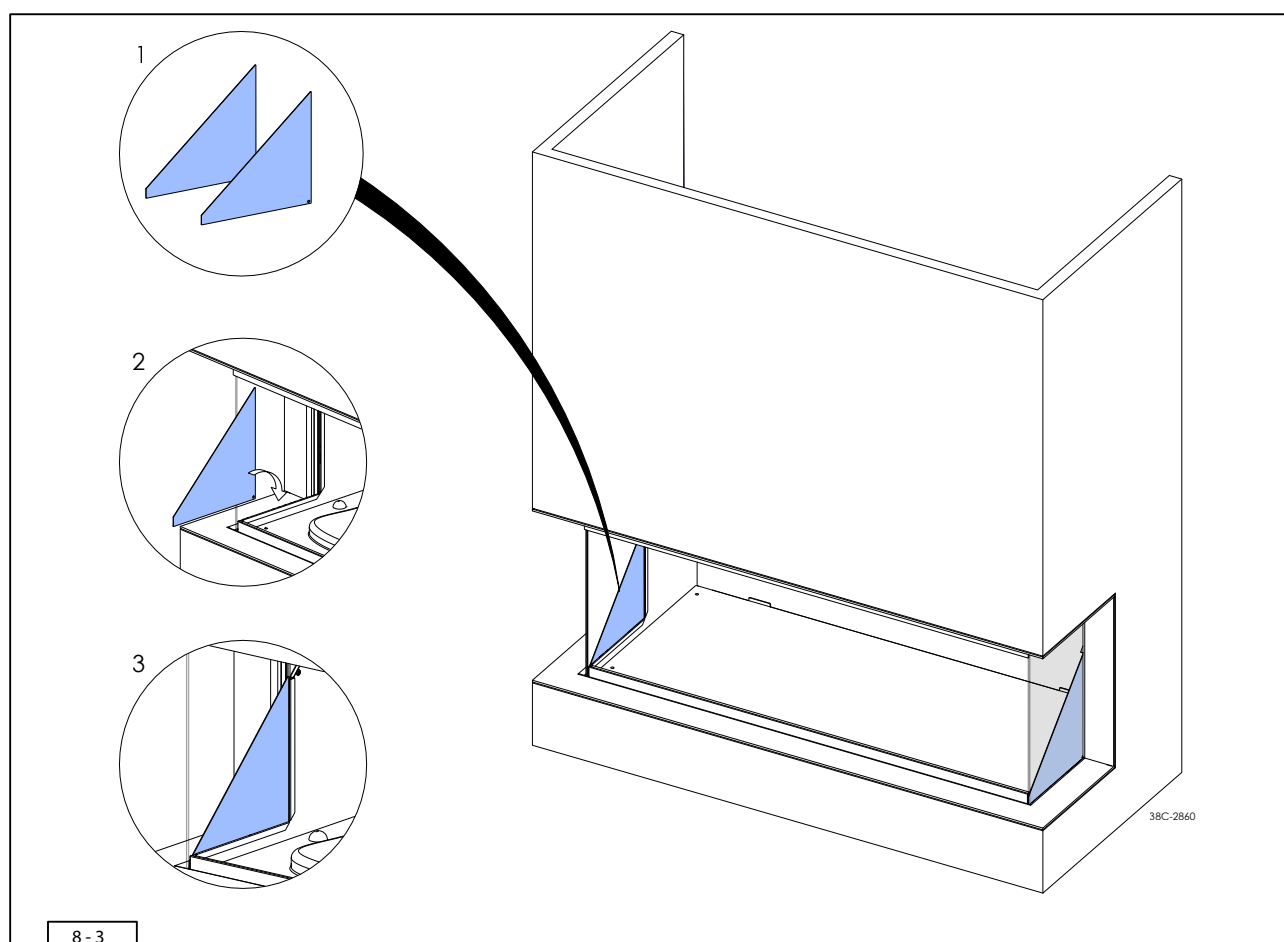
8.3 Metal triangle

The metal triangles are optional and are supplied with the three-sided appliances. These can be placed once the front glass pane and projection plate have been removed.

⚠ Avoid damaging the glass panes and projection plate.

8.3.1 Placing the metal triangle

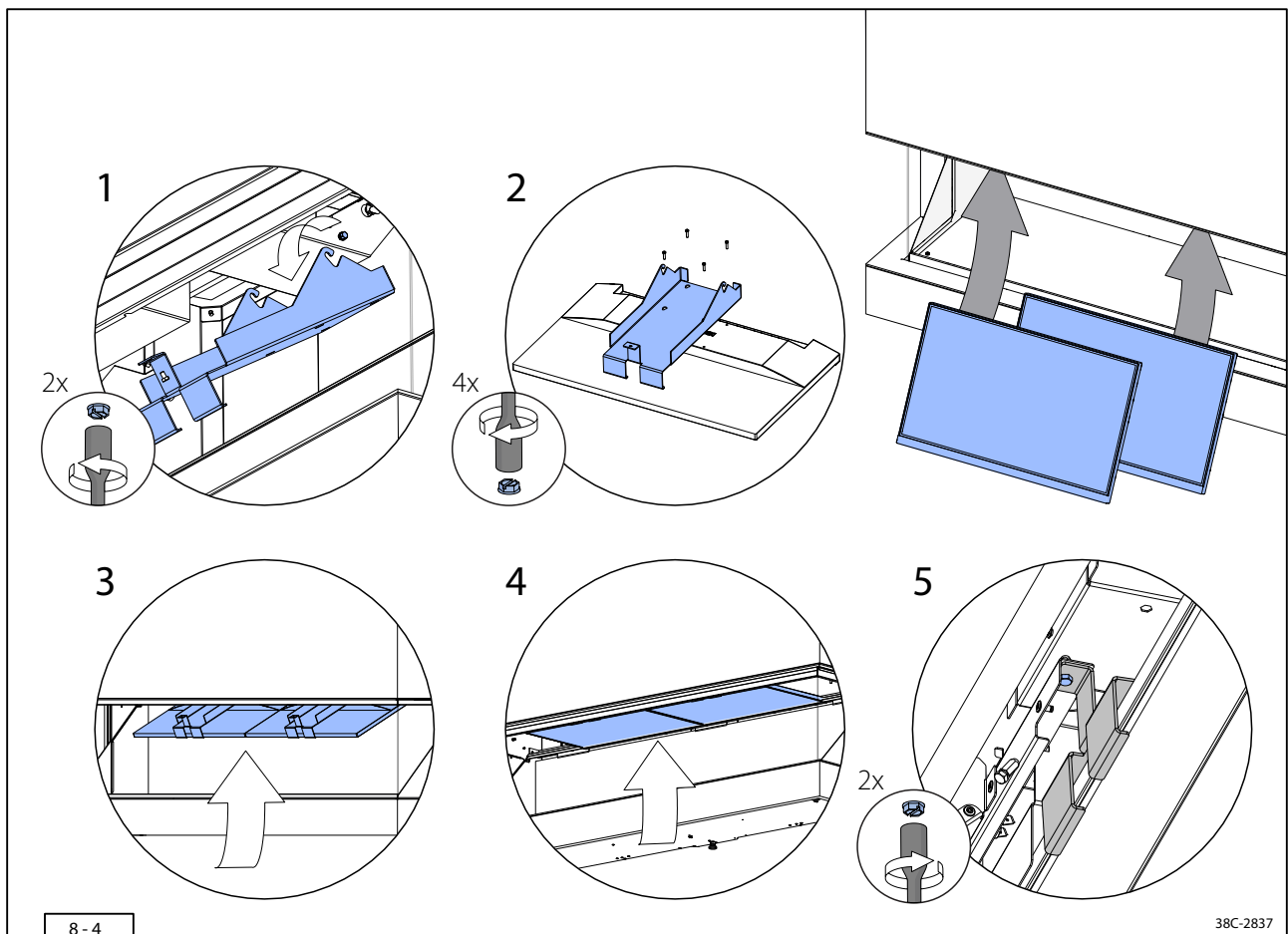
- Take the metal triangle and place it with the slanted side forwards. (fig. 8-3, step 1)
- Ensure the triangle is clamped between the side glass pane and the frame. (fig. 8-3, steps 2 and 3)
- ⚠ - It is important that the slanted side of the metal triangle connects to the edge of the projection plate.
- Make sure the glass panes do not get damaged.



8.4 Monitors

To prevent transport damage to the monitors, they are delivered separately in protective packaging. Follow these steps to install the monitors in the appliance:

- ⚠ Always work on a voltage-free appliance to prevent damage to electronic components.
- Ensure that the appliance is voltage-free (See section 8.5).
- Disassemble the mounting brackets from the appliance by loosening the flange bolt at the front top of the appliance. Lift the mounting brackets off the hooks to remove them from the appliance (See Figure 8-4, Step 1).
- Remove the monitors from the packaging and place them face down on a soft, clean surface.
- Attach the mounting brackets to the back of the monitors using four (M4) screws (See Figure 8-4, Step 2).
- ⚠ Ensure the brackets clamp around the top of the monitors so that the monitors are securely fastened.
- Lift the first monitor with one hand by the mounting bracket and connect the HDMI and power cables to the monitor with the other hand.
- Hang the monitor using the mounting brackets by hooking them at the top of the appliance. The monitor will now hang at an angle in the appliance (See Figure 8-4, Step 3).
- Push the front of the mounting bracket upwards and secure it with the flange bolt inside the appliance (See Figure 8-4, Steps 4 and 5).
- ⚠ - Ensure no cables get clamped during installation.
- Ensure that when securing the monitors, the HDMI cables do not make contact with the 230V power cables.
- Repeat the previous steps for the second monitor.
- Remove the protective film from the monitors.

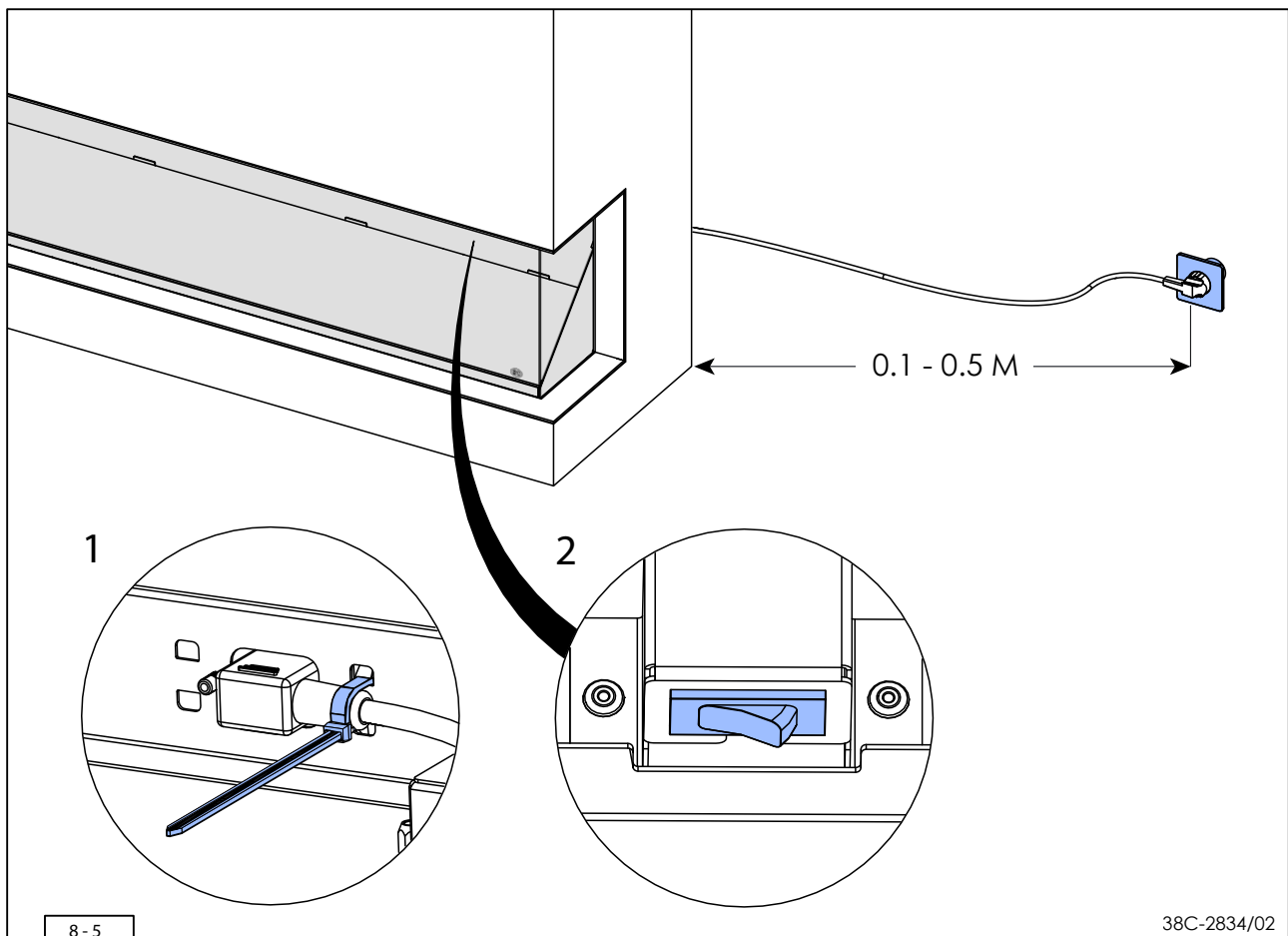


8-4

8.5 Electric connection

The appliance is provided with a tie-wrap to create a strain relief for the mains cord. This is to prevent the cord from unintentionally coming loose from the appliance. The strain relief is installed as follows:

- Take the accompanying mains cord and connect it to the rear of the appliance with the three-pole plug (fig. 8-5, step 1).
 - Take the provided tie-wrap and lead it through the slots intended for that purpose above the connection. (fig. 8-5, step 1).
 - Attach the mains cord to the appliance with the tie-wrap and tension the tie-wrap so that the mains cord can no longer shift.
 - Connect the appliance to the mains by inserting the plug in the socket.
 - ⚠ After installation, the socket to which the appliance is connected should be accessible at all times.
- ⚠ - Make sure that, in addition to the main switch on the appliance, it is easy to make the appliance free from voltage.
 - For instance by disconnecting the plug or using a 2-pole switch placed by a recognised installer in accordance with normal regulations.
 - When performing maintenance or repairs, make sure that the appliance is disconnected from the power source.
 - If the mains plug is damaged, it should be immediately replaced by a qualified person.
 - Do not use the appliance before the electric installation has been completed.



8.6 Log set

The appliance comes with a log set consisting of: logs, wood chips, chips, coals and glowing embers. Place them exactly as described for an optimum operation of the appliance.

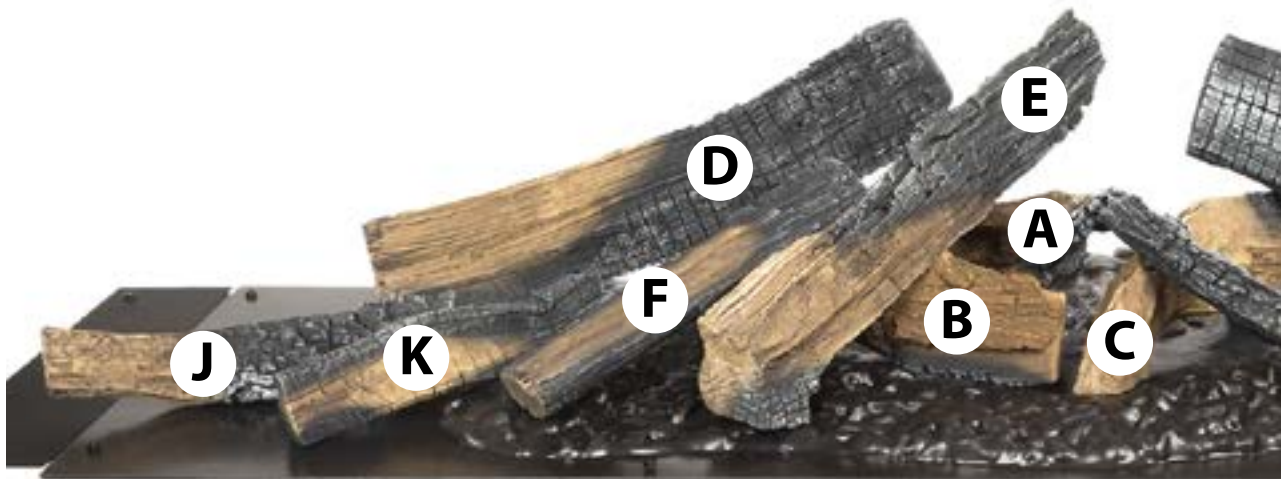
- ⚠ - In the figures, the colour is not always shown correctly.
- Only use the supplied log set, chips and glowing embers.
- Place the logs exactly in accordance with the following description in order to achieve a correct alignment of the flame picture and the logs.

Step 1

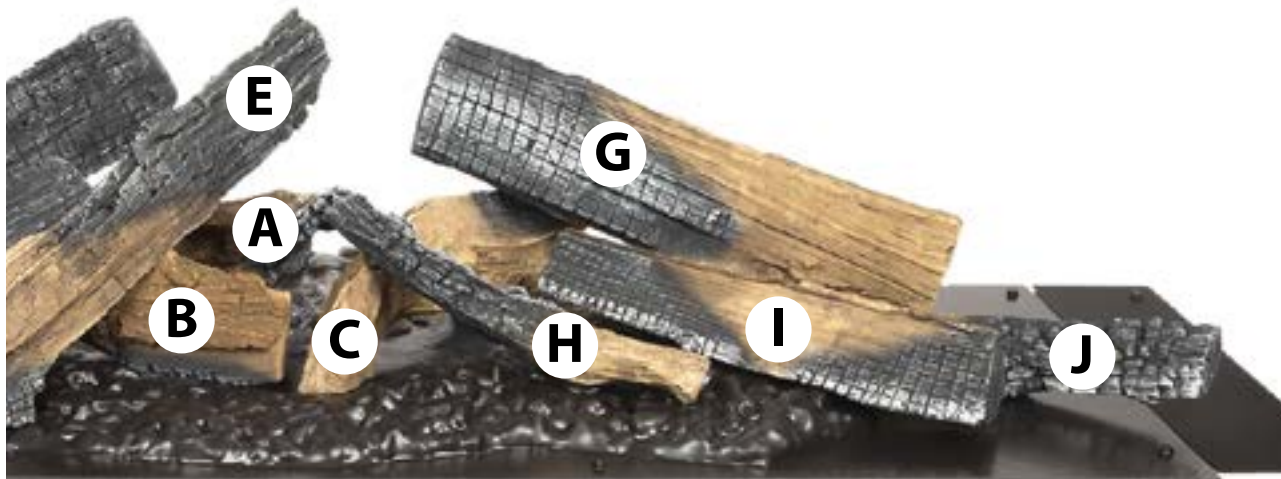
Carefully remove the wood set from their packaging. The wood set consist of the following (fig. 8-8):

- Wood set (A to K)
- Glowing embers (L)
- Coal (M)
- Chips (N)
- Wood chips (O)

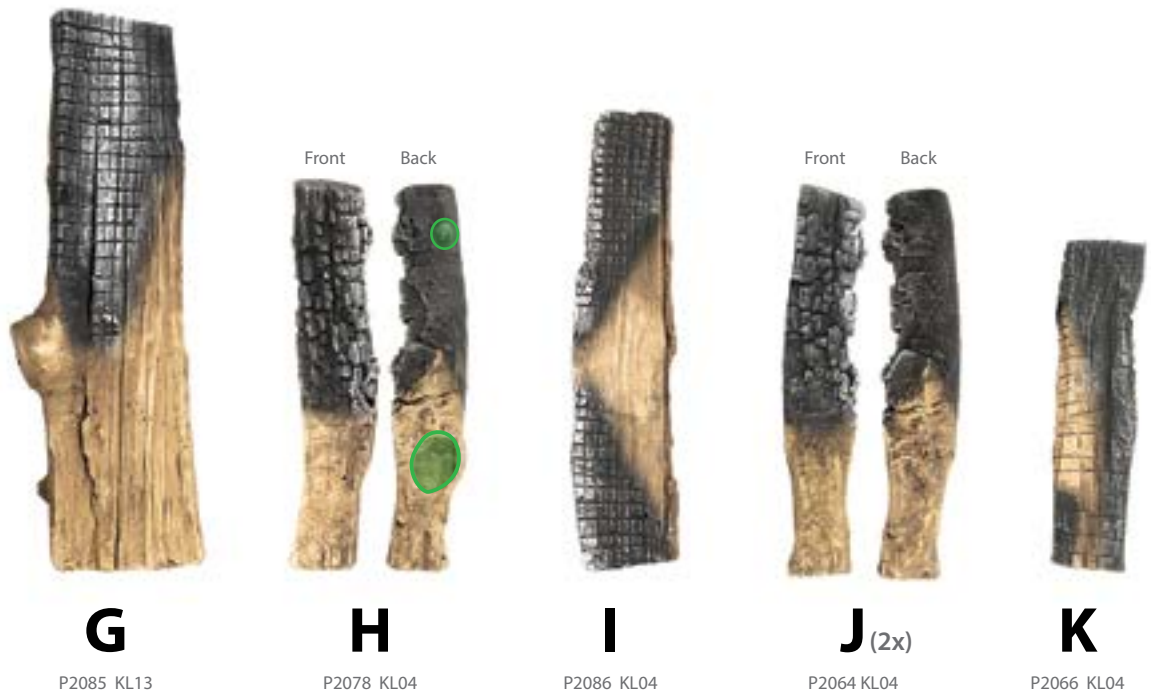
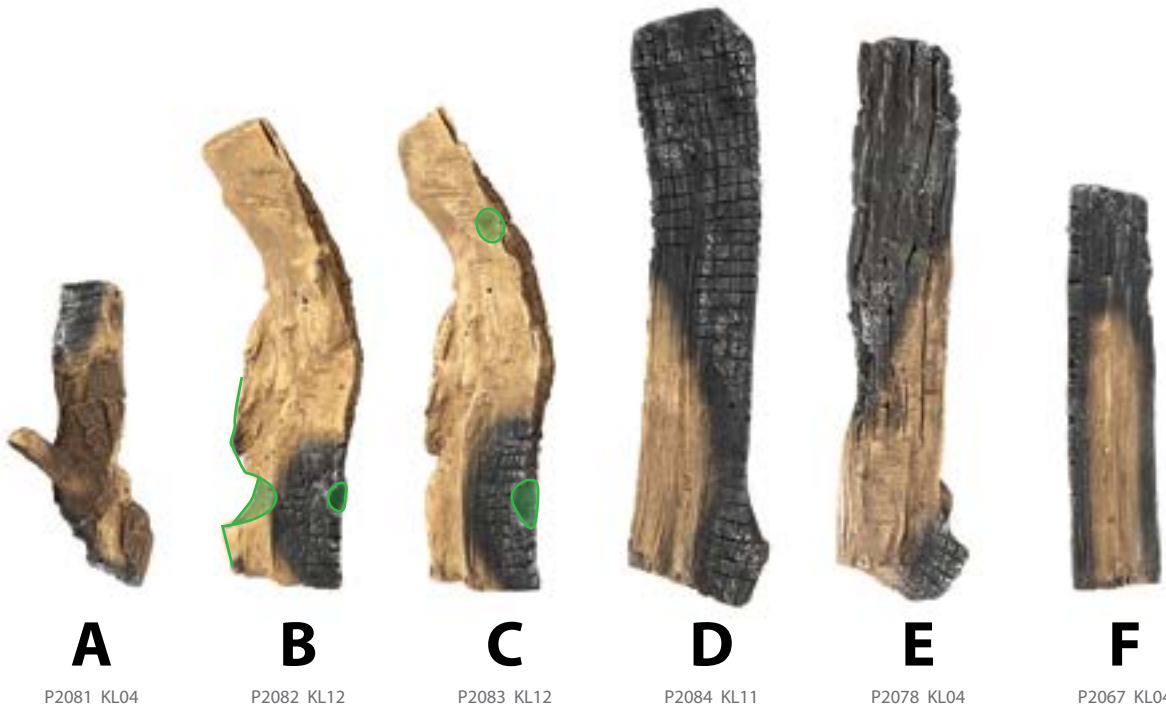
- 💡 When identifying logs A to K (fig. 8-8), use the color, size and burn marks on the logs.
- ⚠ - Logs B and C look alike, pay close attention to the locations of the positioning cams! (Fig. 8-8)
- Logs H and J look alike, pay close attention to the locations of the positioning cams! (Fig. 8-8)



8-6

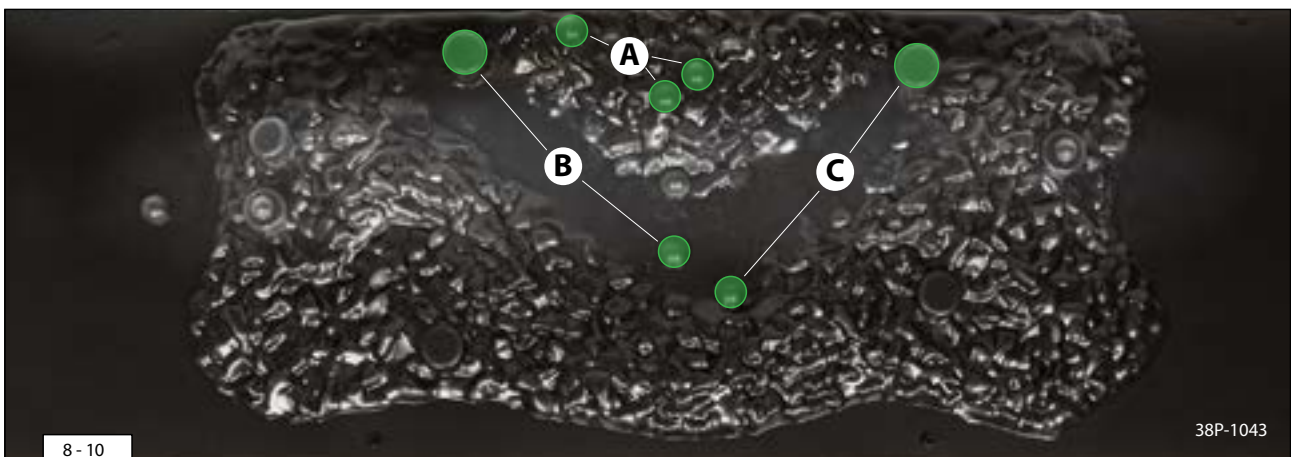
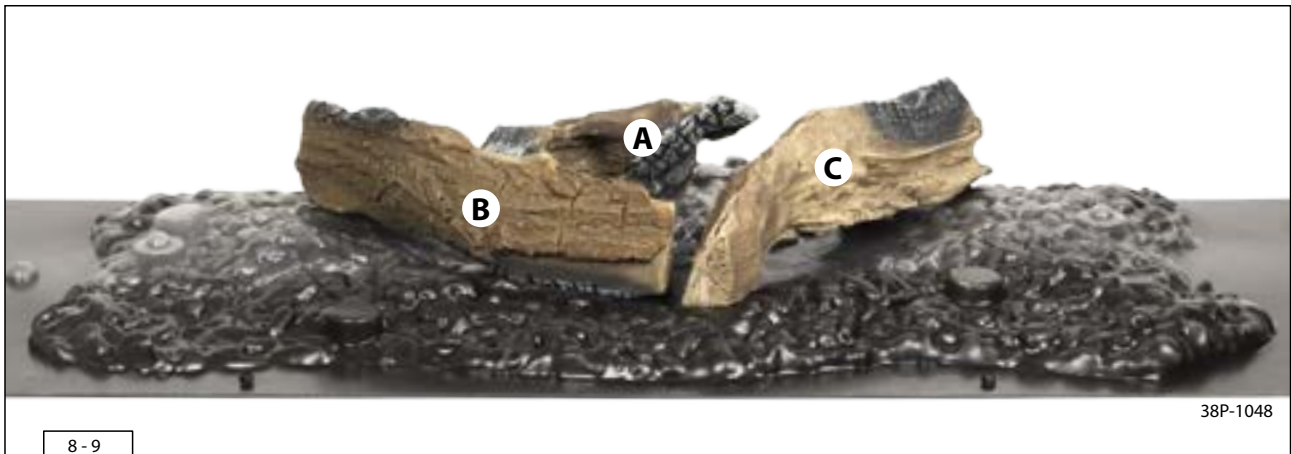


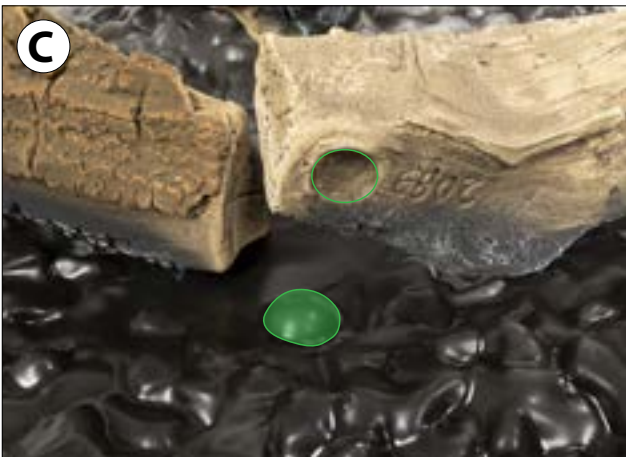
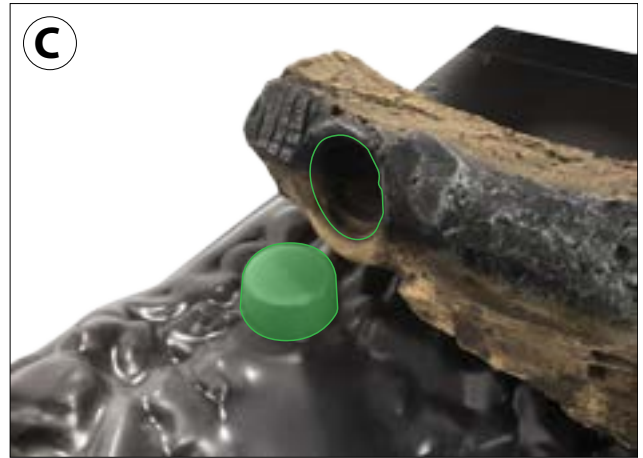
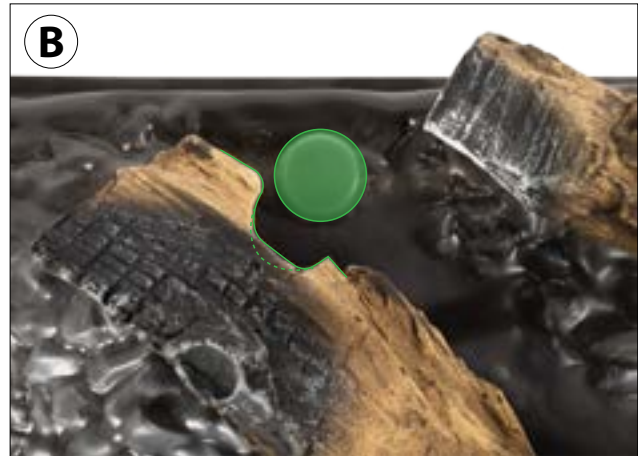
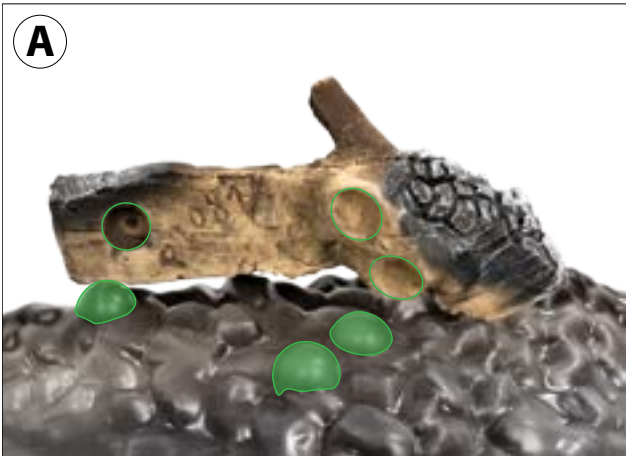
8-7



Step 2

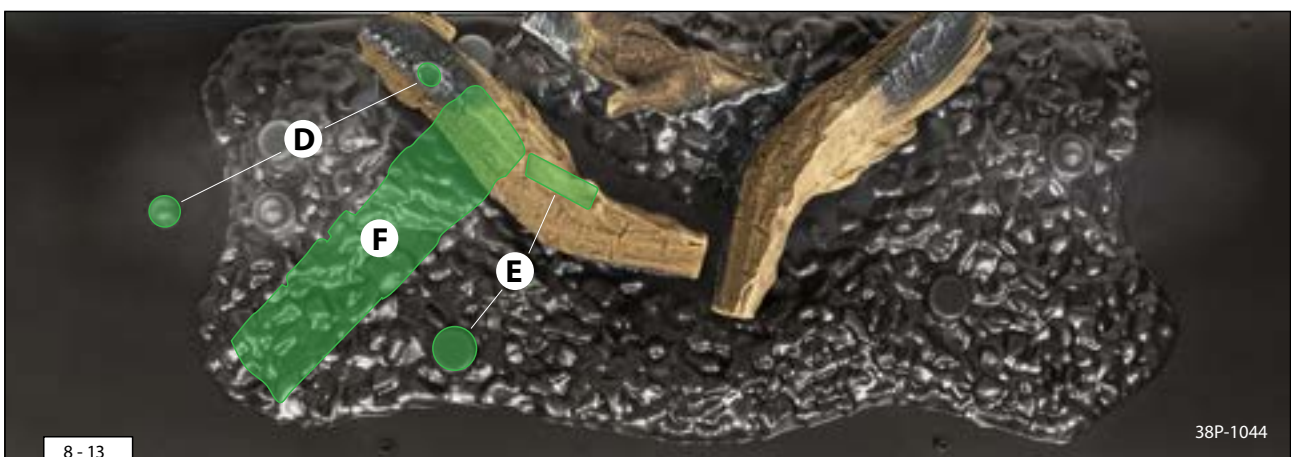
- Take log A and place it on the three small positioning cams in the centre rear of the stove (fig 8-10 en 8-11A).
- Then take log B and place it diagonally on the positioning cams in the middle left rear and middle left front (fig. 8-10 and 8-11B).
- Take log C and place it diagonally on the positioning cams centre right rear and centre right front (fig. 8-10 and 8-11C).

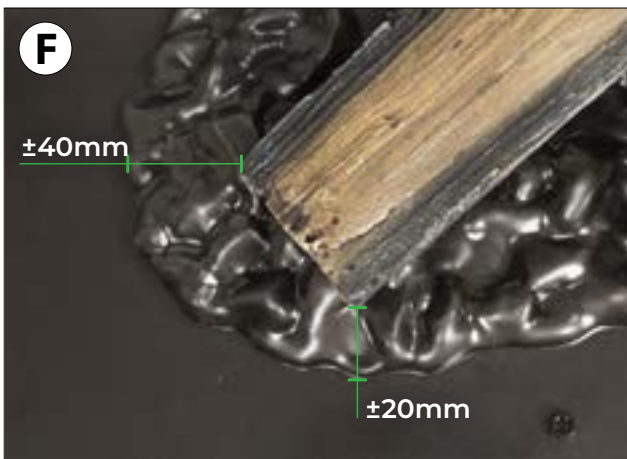
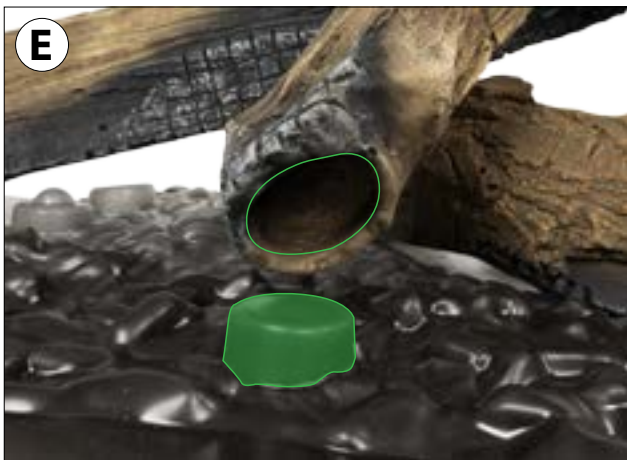
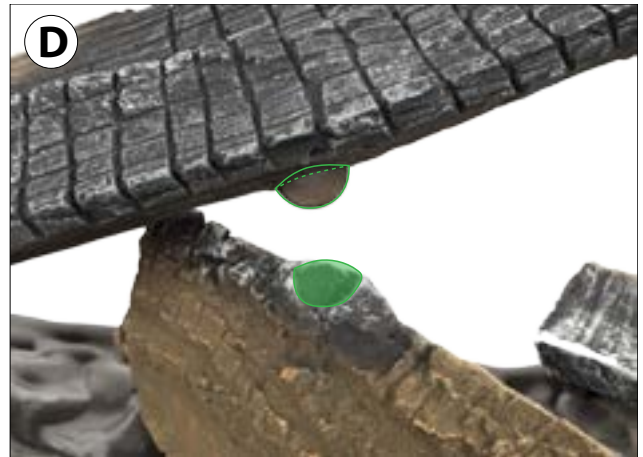
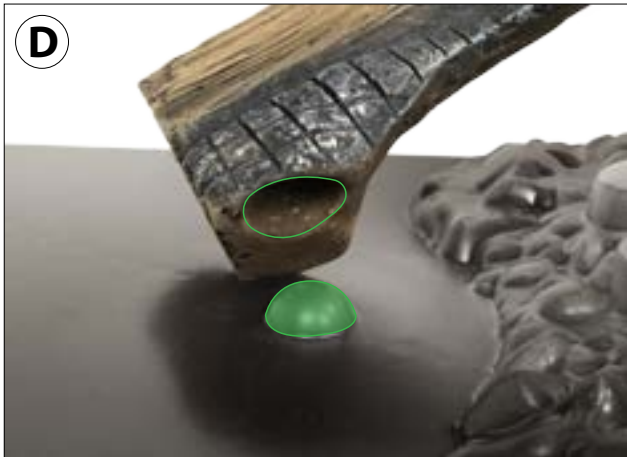




Step 3

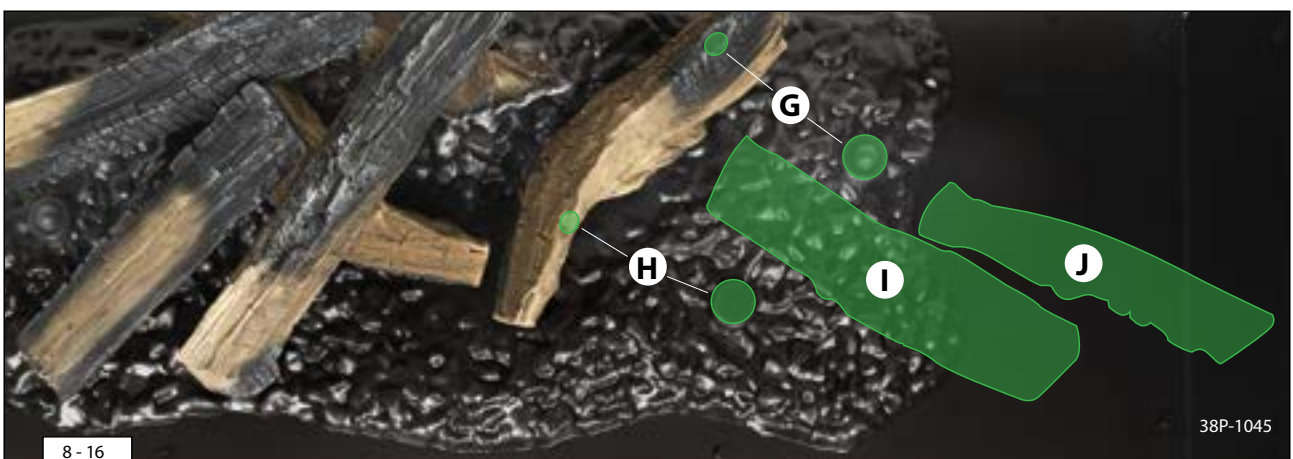
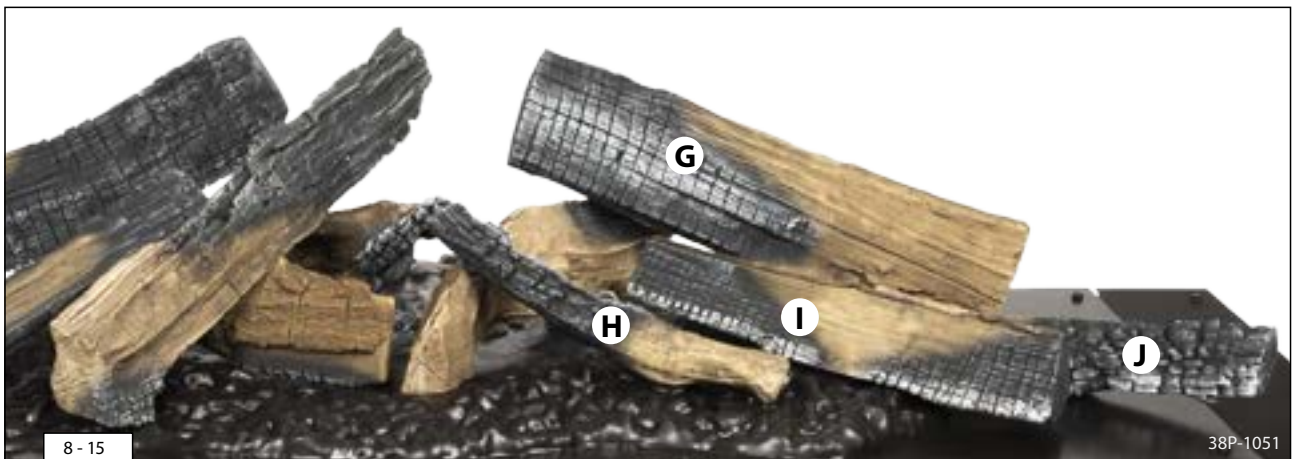
- Place log D on the positioning cam on the left on the glow bed. The positioning cam at the bottom right on log D falls into the recess on log B (fig 8-13 and 8-14D).
- Place log E on the positioning cam on the right on the glow bed. The positioning cam at the bottom left on log E falls into the recess on log C (fig. 8-13 and 8-14E).
- Position log F with the left side on the glow bed, as indicated. Place the right side on log B and between logs D and F (fig. 8-13 and 8-14F).

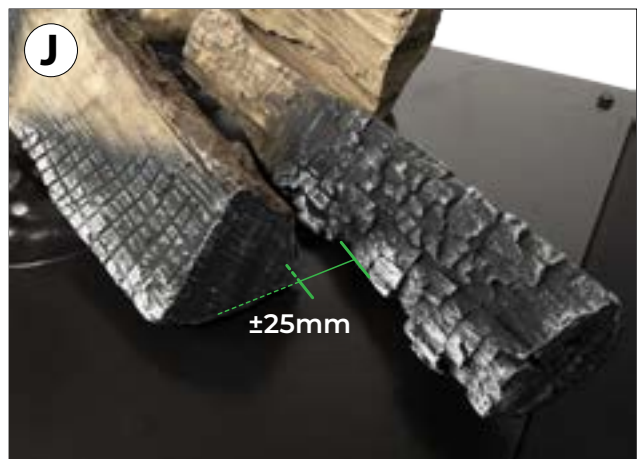
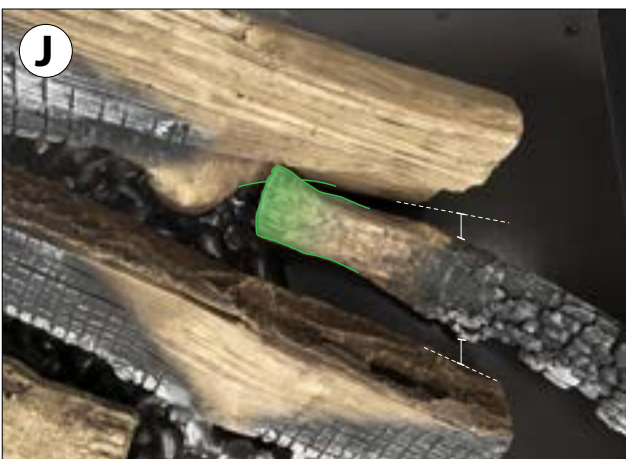
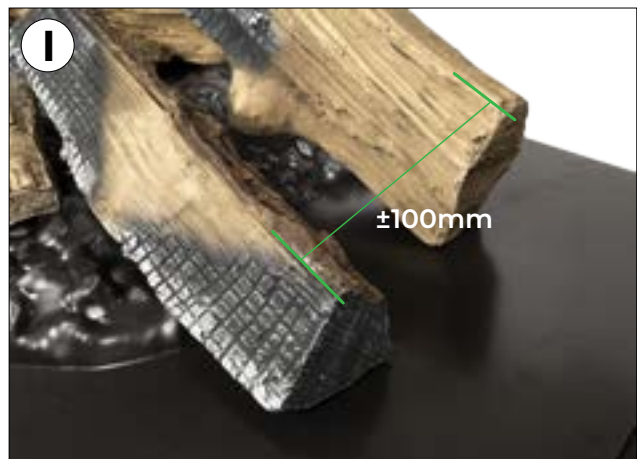
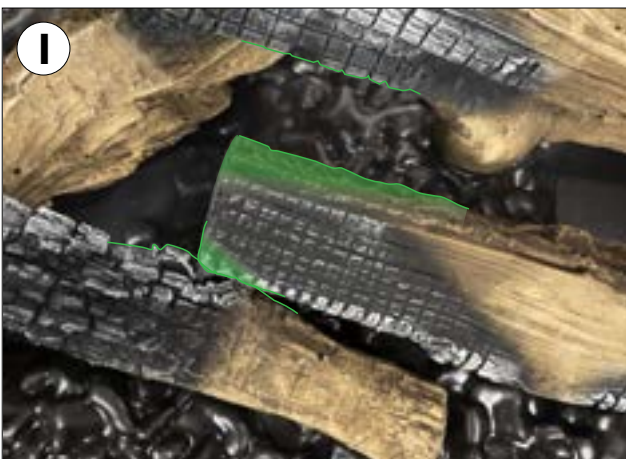
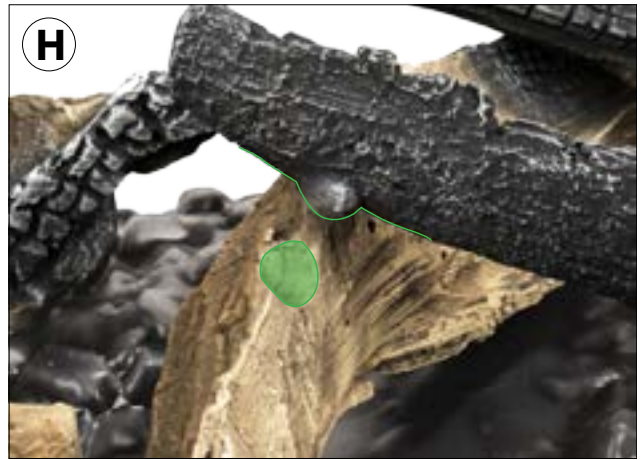
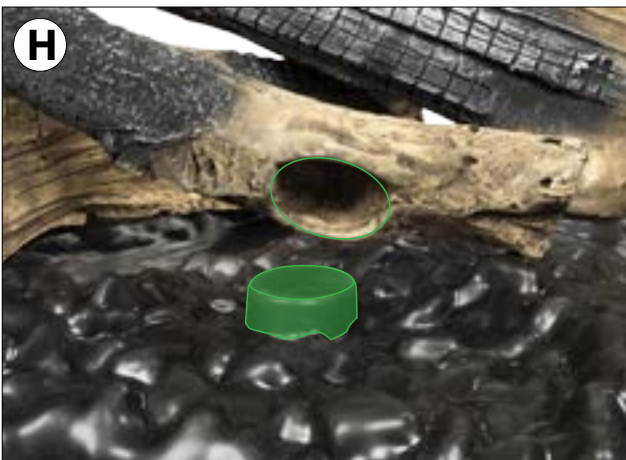




Step 4

- Place log G on the positioning cam on the front right of the glow bed. The positioning cam at the bottom left on log G falls into the recess on log C (fig 8-16 and 8-17G).
- Place log H to the rear left, in back of log E as shown in (figure 8-16 and 8-17H). Here, it is important that the log falls into the recess of the glow bed.
- Place log I diagonal behind log H and parallel to log G. Note the distance between the logs. (Fig. 8-16 and 8-17I)
- Place log J diagonal between logs I and G. Log J should rest against log G (fig. 8-16 and 8-17J).

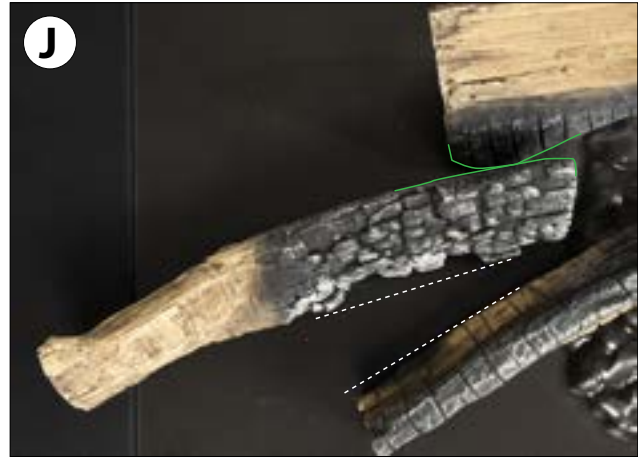
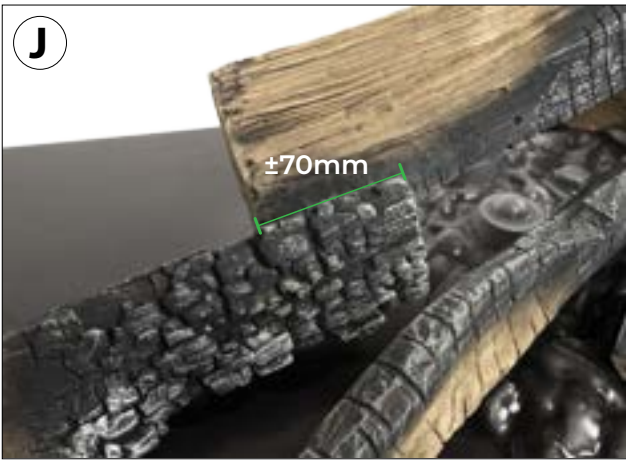
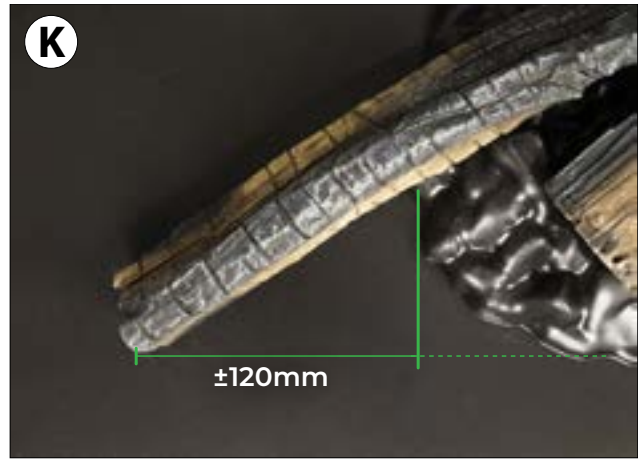
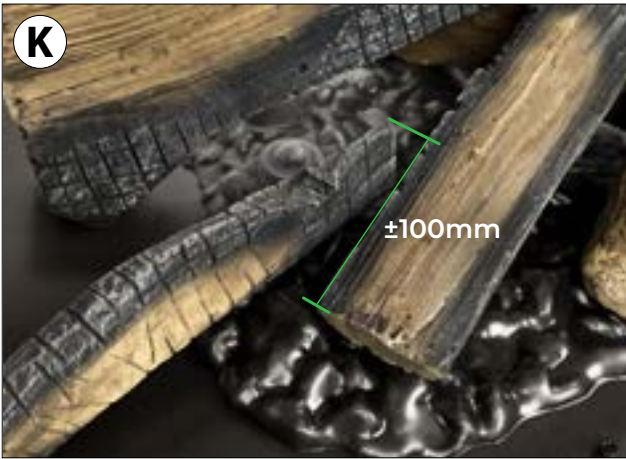




Step 5

- Place log K at the back to the right, between logs D and E (fig. 8-19 and 8-20 K). The end of this log is aligned with the raised section of the glow bed.
- Place log J at the back to the right, between logs D and K (fig. 8-19 and 8-20 J). The top of log J is parallel with log D.





Step 6

- Spread out the complete set of glowing embers (L) across the glow bed of the appliance, covering the entire elevated transparent part of the bottom. Here, it is important that the glowing embers connect properly to the logs and completely cover the transparent part of the glow bed. (fig. 8-21).
- 💡 To better distribute the glowing embers, it can be useful to temporarily remove logs H-I-J-K. Place the logs back after the glowing embers have been distributed.



Step 7

- Take the black chips and grey chips (N) and spread them out in a playful and natural looking way around the glowing embers, on the flat section of the glow bed (fig. 8-22).
- It will look more natural if the chips are occasionally on top of one another and do not fully cover the bottom of the appliance.



Step 8

- Take the coals (M) and spread them out in a playful and natural looking way between the glowing embers and chips. Divide a few coals on top of the glowing embers (fig. 8-23).
- ⚠ Make sure that no chips or other materials protrude over the edge. This could make it impossible to place the projection plate or glass pane or cause damage to these items (fig. 8-24).



Step 9

- Evenly spread out the wood chips across the glow bed. Ensure an optimum bottom covering, particularly by placing chips of different sizes next to one another at the front of the fire (fig. 8-25).



Step 10

- After placing the log set and projection plate, check the flame picture and adjust the placement of the logs where necessary. At delivery, also ensure a proper distribution of the chips, glowing embers, coals and wood chips (fig. 8-26).



9. Final check

For a good and safe operation of the appliance, the following checks must be performed prior to commissioning.

- Familiarise the end user with the appliance. Instruct him about using it for the first time, the safety measures, how the remote control works and the recommended annual maintenance. For more information, see the user manual.
- ⚠ - Tell the user to remove the plug from the socket in case of malfunctions/poor operation and contact the installer to prevent unsafe situations.
- Do not use the appliance before the installation has been fully completed.

Some aspects to consider when explaining the operation and functions of the appliance to the end user:

- The end user knows where to find the main switch of the appliance.
- The location of the socket to which the appliance is connected is known to the end user.
- The remote control and its functions have been explained to the end user.
- The end user knows that a chimney breast with plastering should dry for at least 6 weeks before the heating element can be used.
- Cleaning the exterior of the glass panes has been explained and/or demonstrated to the end user.
- The manual has been handed over to the end user and is stored with the appliance.

10. Maintenance

- ⚠ - Make sure there is no voltage on the appliance during maintenance work.
- Make sure the appliance has cooled down to room temperature and has been made free from voltage before maintenance is started.
- Only the original self-tapping screws, bolts and other fasteners may be used, as they ensure the appliance's earthing.
- Only clean a glass pane once it has reached room temperature.
- Do not deliver the appliance when a glass pane is broken and/or cracked. Replace the glass pane.
- Always perform a final check prior to the moment of delivery.

- ⚠ - Avoid damage to the glass pane(s).
- Make sure the electronics are not damaged by static electricity.

- Inspect whether the projector plate and monitor(s) are clean and free from dust.
- Clean the glass pane(s) (if necessary).

10.1 Projection plate and monitor(s)

For an optimum flame picture in the stove, it is essential that the projection plate and display of the monitor are clean and free from stains. For this, observe the following instructions:

- Wipe the monitors with a clean and dry cotton cloth.
- Blow off the dust with air or use a feather duster. Other materials such as (kitchen) paper, microfibre cloth, steel wool, etc., could cause scratches.
- ⚠ - Do not use any cleaning detergents.
- Always wear cotton gloves during the cleaning process to prevent the introduction of new fingerprints.

10.2 Heating element

- Do not touch the ventilator with hard objects, this may cause imbalance.
- ⚠ When the heating element is used for the first time, odour and smoke may be generated. Vent the room properly and prevent the vapours from being inhaled.
- When taking the heating element in operation, switch to the highest position and allow it to heat for 20 minutes.

10.3 Parts

Components that have to be replaced are available at the supplier.

For a proper execution of maintenance, some parts must be disassembled from the appliance. This should be done with the greatest care to prevent damage to electric and mechanic components as well as visible sections of the appliance.

It is recommended to have the appliance checked, cleaned and, if necessary, repaired once per year by a skilled installer. It should at least be established that the appliance is working properly and safely. During the annual check, the following should be considered:

- Dust formation in the appliance, on the projector plate and monitor(s).
- Dust formation in the heating element.
- Quality of the earth connection

- During maintenance, clean the air inlet and convection opening with a vacuum cleaner and a soft brush.
- ⚠ Do not touch the ventilator with hard objects, this may cause imbalance.
- ⚠ Make the appliance fully free from voltage by removing the plug from the socket before you start cleaning the heating element.

11. Malfunctions

In case of poor operation of the appliance, consult the following overview of malfunctions.

Does it not contain your malfunction? Remove the plug from the socket and contact your dealer.



Do not open the appliance yourself and do not make changes yourself. Always leave this to a recognised electrical installer.

Table 11-1: Malfunctions

Malfunction	Solution(s)
The appliance does not switch on	<ul style="list-style-type: none"> • Make sure the main switch is switched on. Switch on the main switch as described in user manual section 3.3. • Check the plug connection. Mount the plug correctly • Check the voltage in the meter cupboard. Make sure it receives voltage.
Remote control does not connect with the appliance	<ul style="list-style-type: none"> • Make sure the main switch is switched on. Switch on the main switch as described in user manual section 3.3. • Try to pair the remote control once more, as described in user manual section 4.
The remote control is connected, but appliance does not switch on (remains standby).	<ul style="list-style-type: none"> • Switch the appliance off and on by making it free from voltage using the main switch. Switch the main switch as described in user manual section 3.3. • Check if the software for the appliance and remote control is up to date. If not, perform a software update.
The appliance does switch on, but the projection does not (or not fully) switch on.	<ul style="list-style-type: none"> • Try to change the flame picture. • Switch the appliance off and on by making it free from voltage using the main switch. Switch the main switch as described in user manual section 3.3. • Perform a factory reset as described in user manual section 5.3. • Check that the cables between the monitors and control unit are connected correctly. Ensure that the cables are connected correctly. • Check if the on/off button at the rear of the monitor(s) is switched on.
The projection remains stuck and/or falters.	<ul style="list-style-type: none"> • The projection remains stuck and/or falters. • Switch the appliance off and on by making it free from voltage using the main switch. Switch the main switch as described in user manual section 3.3. • Perform a factory reset as described in user manual section 5.3.
The device switches off during prolonged continuous use.	<ul style="list-style-type: none"> • After 8 hours of continuous use, the appliance automatically goes into standby mode for safety reasons. Use the remote control or Drufire App to switch the device back on.
The appliance does switch on, but the glow lighting does not (or not fully) switch on.	<ul style="list-style-type: none"> • Switch the appliance off and on by making it free from voltage using the main switch. Switch the main switch as described in user manual section 3.3. • Perform a factory reset as described in user manual section 5.3. • Check that the cables between LED strips and control unit are connected correctly. Ensure that the cables are connected correctly.
The appliance does switch on, but the sound does not switch on.	<ul style="list-style-type: none"> • Switch the appliance off and on by making it free from voltage using the main switch. Switch the main switch as described in user manual section 3.3. • Perform a factory reset as described in user manual section 5.3. • Check that the cables between the speaker and control unit are connected correctly. Ensure that the cables are connected correctly.

Table 11-1: Malfunctions

Malfunction	Solution(s)
The appliance does switch on, but the heating does not switch on.	<ul style="list-style-type: none"> • Switch the appliance off and on by making it free from voltage using the main switch. Switch the main switch as described in user manual section 3.3. • Perform a factory reset as described in user manual section 5.3. • Check that the cables between the heating element and control unit are connected correctly. Ensure that the cables are connected correctly.
The heating blows air, but does not get warm.	<ul style="list-style-type: none"> • Check the thermal safety on the heating element for correct connection and operation.
Heating unit makes noise.	<ul style="list-style-type: none"> • Check that all screw connections are tight. Tighten if necessary. • Check the impeller for dust accumulation. If dust is present, clean it with a soft brush and a vacuum cleaner. • Replace heating unit.
The picture does not correspond with the logs.	<ul style="list-style-type: none"> • Check that the logs are positioned as described. Ensure the logs are positioned as described in the installation manual, section 8.5. • Check that the HDMI cables are connected correctly. The right screen must be connected with HDMI R and the left screen with HDMI L.

i am
everywhere



DRU Verwarming B.V.
PO Box 1021 | 6920 BA Duiven
Ratio 8 | 6921 RW Duiven
The Netherlands
+31 (0)26 - 319 5 319
www.drufire.com



BY APPOINTMENT OF
THE COURT OF THE NETHERLANDS



www.drufire.com

