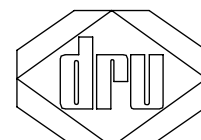
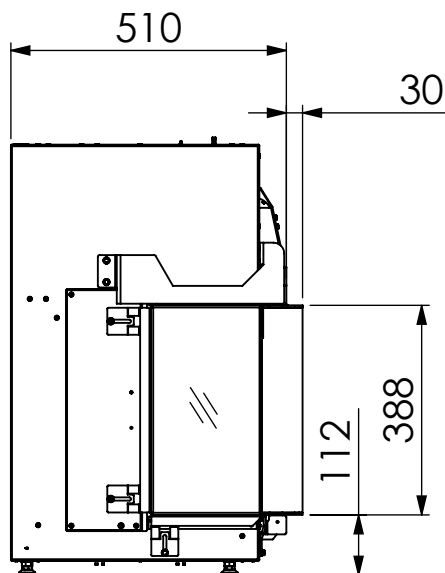
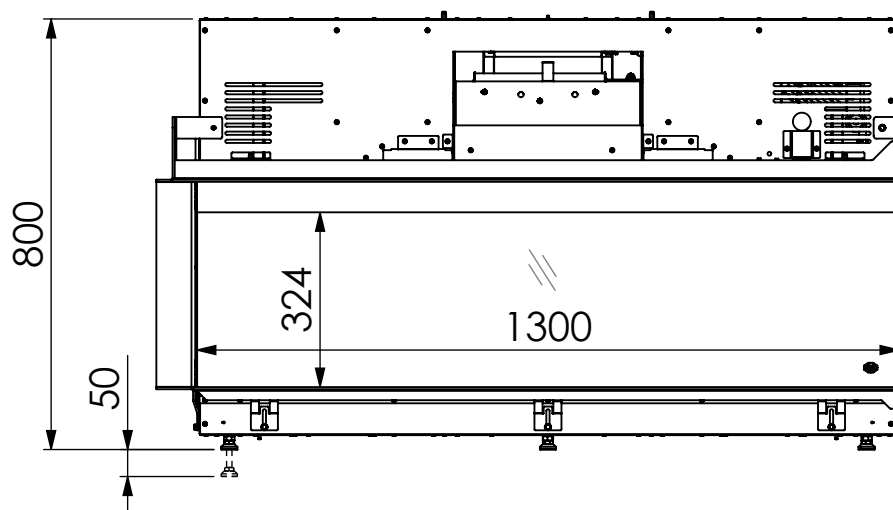
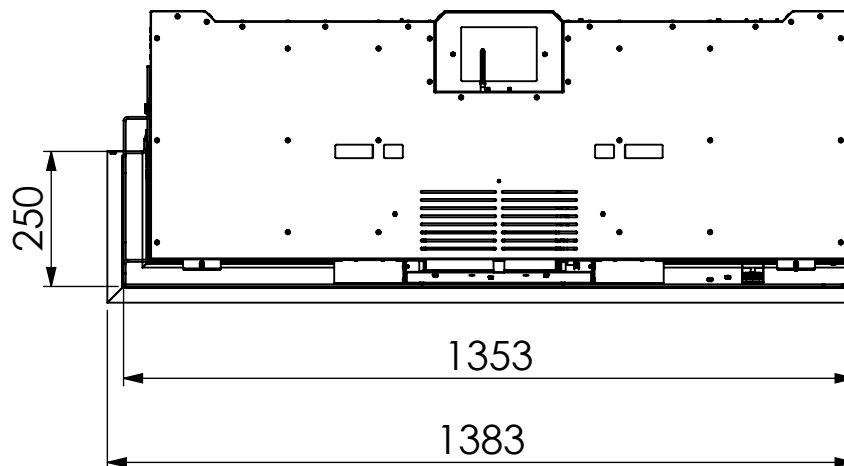
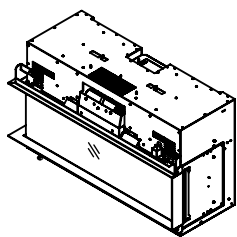
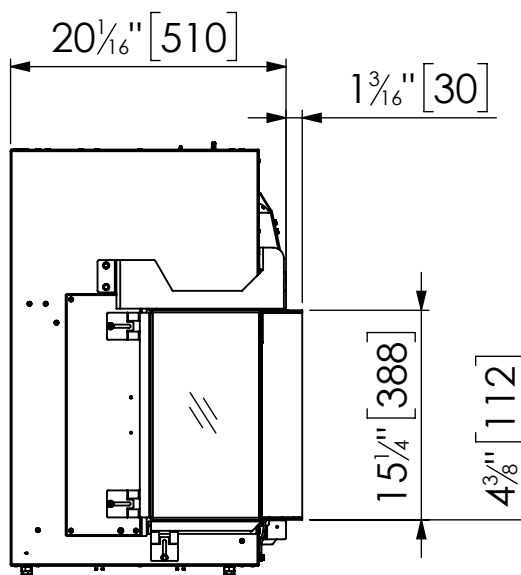
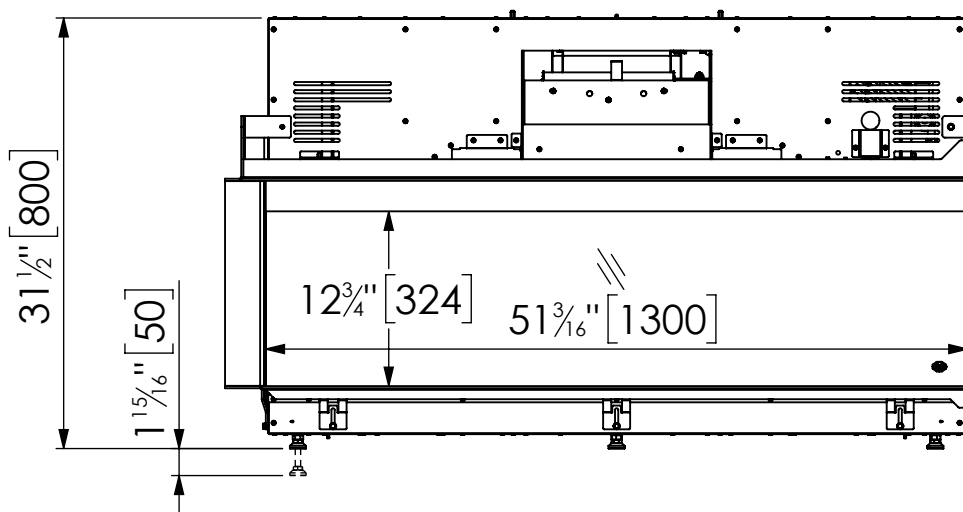
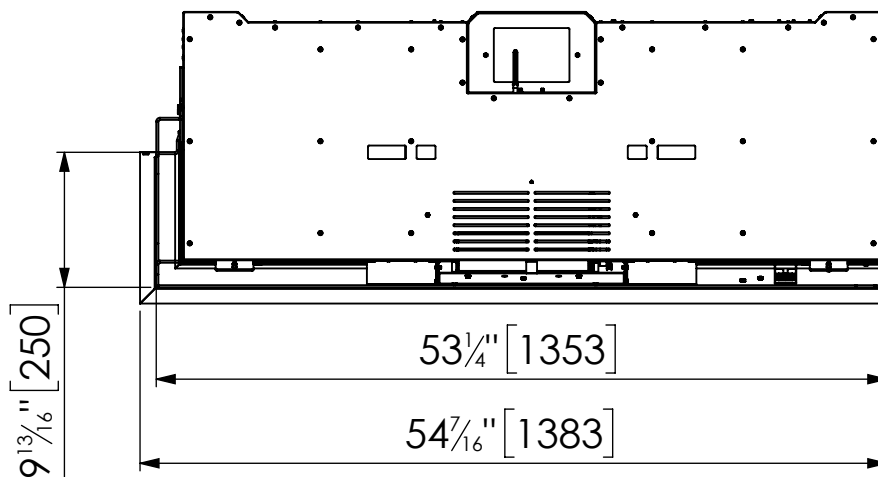
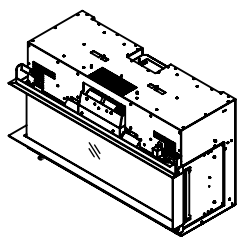


# Virtuo 130/2 Evolve Links



# Virtuo 130/2 Evolve Links



dim" = inch  
[dim] = mm

