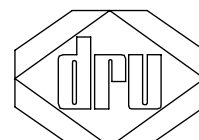
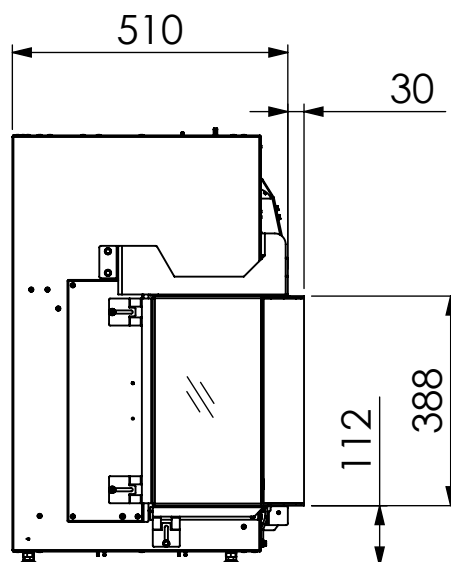
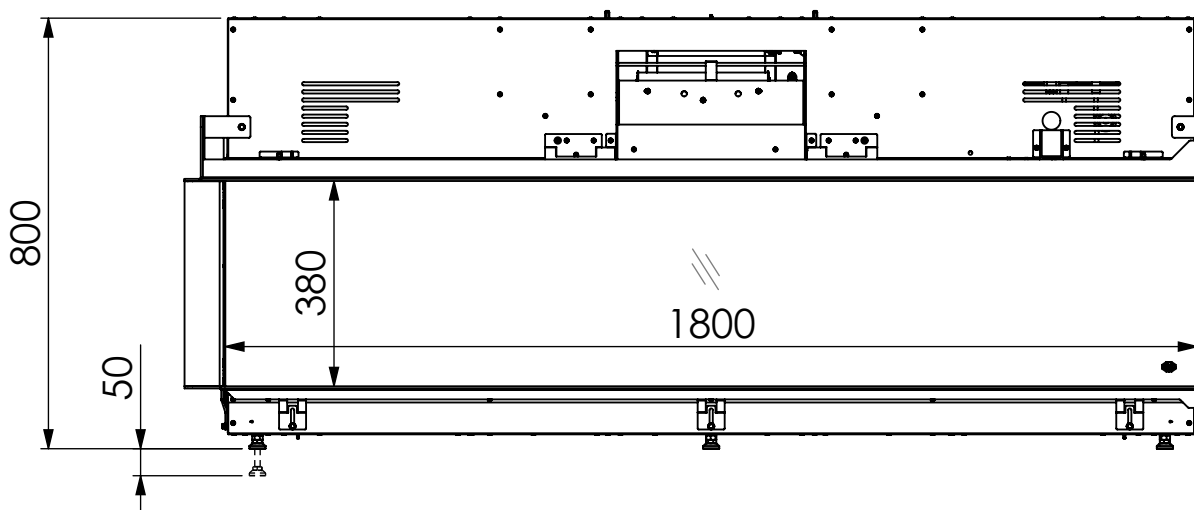
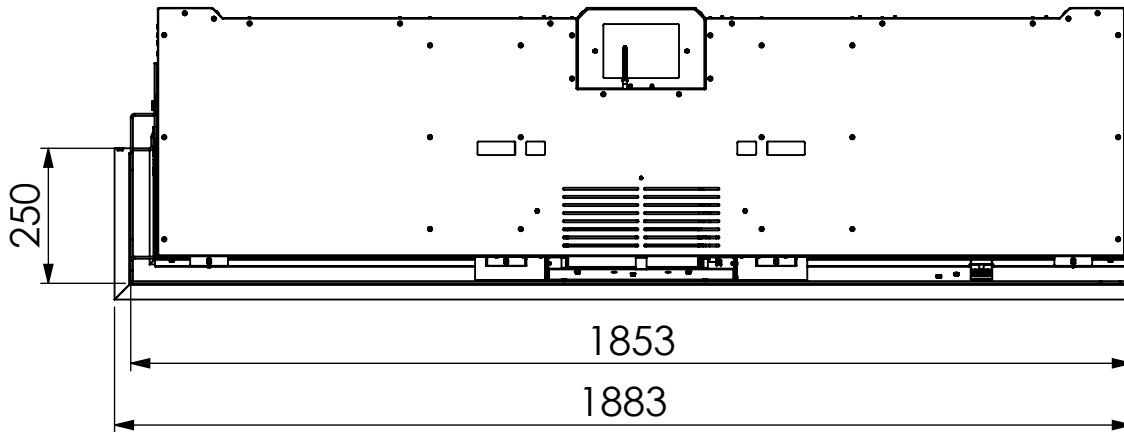
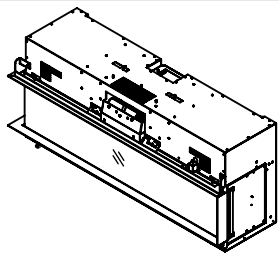
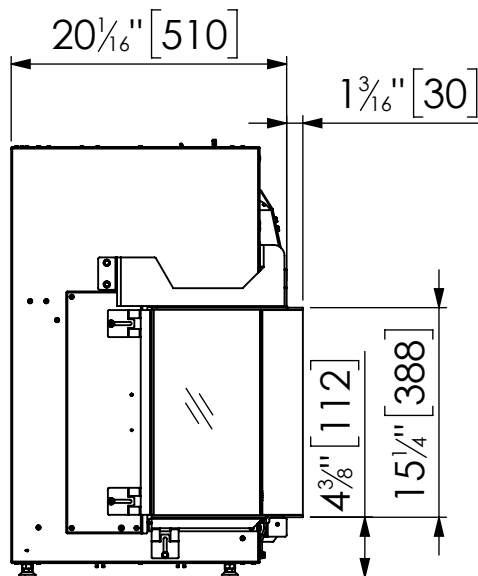
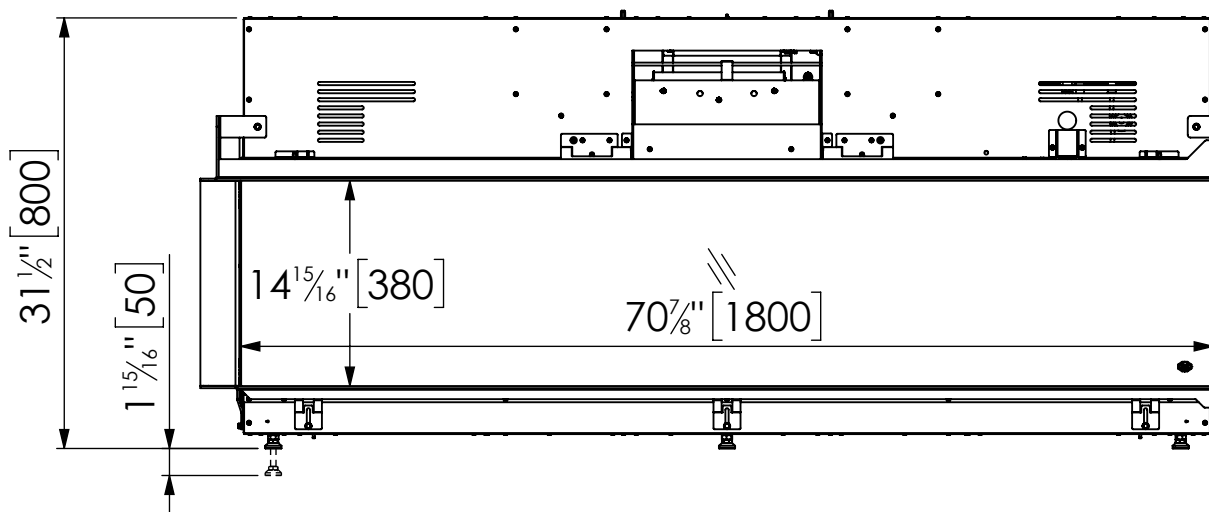
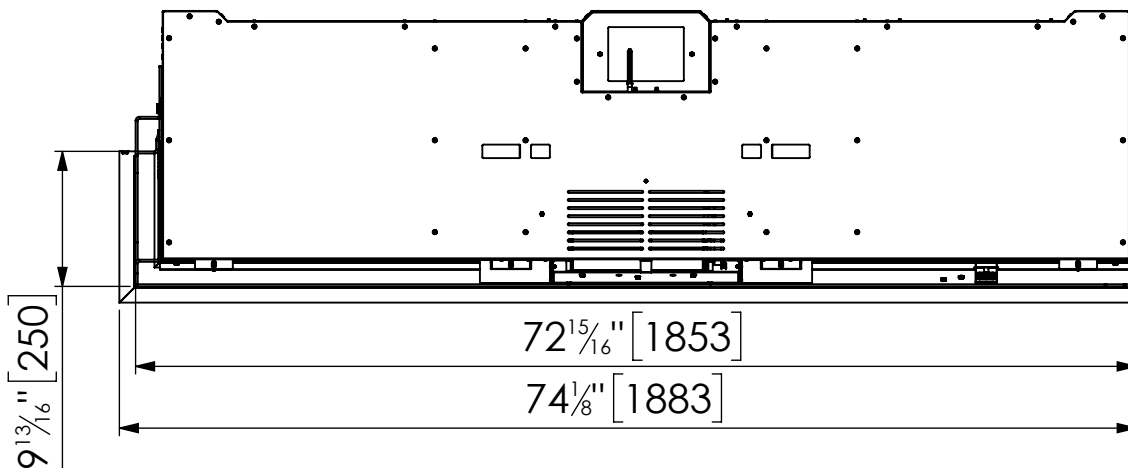
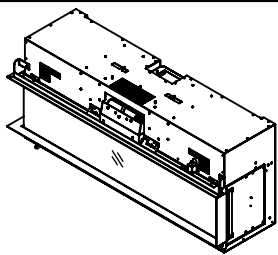


Virtuo 180/2 Evolve Links



Virtuo 180/2 Evolve Links



dim" = inch
[dim] = mm

