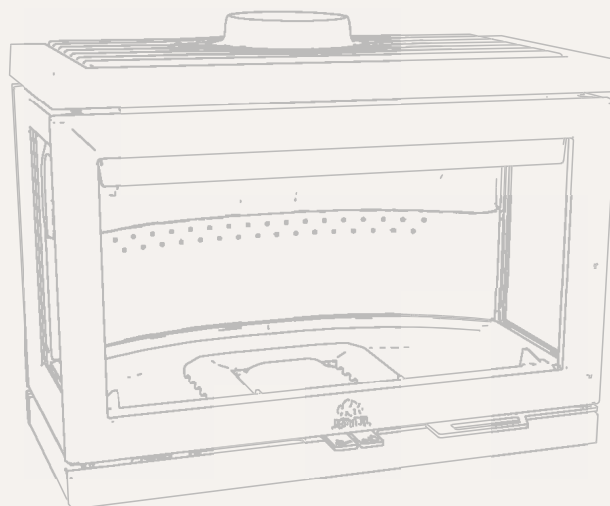
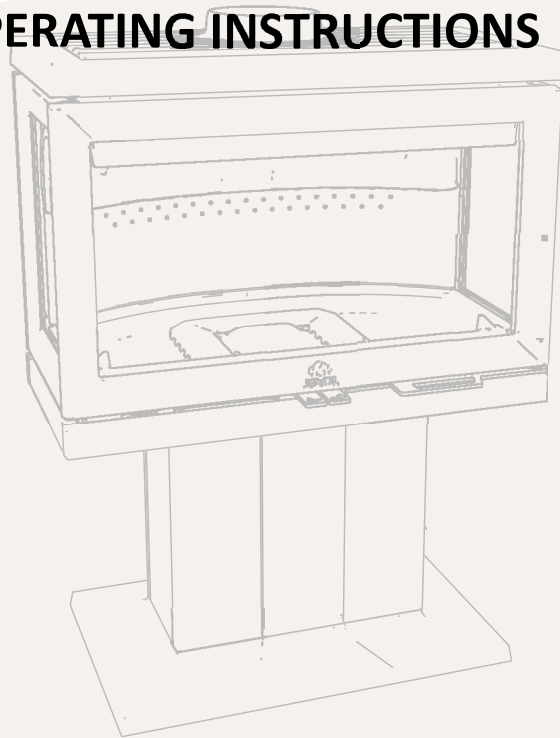


**Jøtul F 620 B**  
**Jøtul F 620 P**  
**Jøtul F 620 LB**  
**Jøtul F 620 B HT**  
**OPERATING INSTRUCTIONS**



Cat. no 10063602-P05

Jøtul AS, Jan. 2024

---

Jøtul AS,  
P.O. Box 1411  
N-1602 Fredrikstad,  
Norway  
[intl.jotul.com](http://intl.jotul.com)





# CONTENTS

**RELATIONSHIP TO THE AUTHORITIES .....4**

**TECHNICAL DATA .....4**

**SAFETY .....5**

FIRE PREVENTION MEASURES ..... 5

FLOOR ..... 5

WALLS ..... 5

CEILING ..... 5

JØTUL F 620 B: DIMENSIONAL DIAGRAM AND ASSEMBLY DISTANCES ..... 7

JØTUL F 620 P: DIMENSIONAL DIAGRAM AND ASSEMBLY DISTANCES ..... 8

JØTUL F 620 LB: DIMENSIONAL DIAGRAM AND ASSEMBLY DISTANCES ..... 9

JØTUL F 620 B HT: DIMENSIONAL DIAGRAM AND ASSEMBLY DISTANCES ..... 10

JØTUL F 620: MINIMUM DISTANCE TO COMBUSTIBLE WALL ..... 11

JØTUL F 620: MINIMUM DISTANCE TO COMBUSTIBLE WALL PROTECTED BY APPROVED FIREPROOF WALL ..... 12

**INSTALLATION .....13**

CHIMNEY AND FLUE PIPE..... 13

PRIOR TO INSTALLATION ..... 14

DISMANTLING PARTS ..... 15

INSTALLATION JØTUL F 620 B - OUTSIDE AIR BOTTOM ..... 16

INSTALLATION JØTUL F 620 B - OUTSIDE AIR REAR 21

INSTALLATION JØTUL F 620 P - OUTSIDE AIR BOTTOM ..... 24

INSTALLATION JØTUL F 620 P - OUTSIDE AIR REAR 28

INSTALLATION JØTUL F 620 LB - WITHOUT OUTSIDE AIR CONNECTION ..... 32

INSTALLATION JØTUL F 620 LB - OUTSIDE AIR BOTTOM ..... 33

INSTALLATION JØTUL F 620 LB - OUTSIDE AIR REAR ..... 35

ASSEMBLY JØTUL F 620 B HT ..... 37

DISMANTLING INTERNAL PARTS ..... 46

INSTALLATION OF INTERNAL PARTS..... 48

**DAILY USE .....50**

ODOURS WHEN USING THE FIREPLACE FOR THE FIRST TIME ..... 50

ADJUSTING VENTS..... 50

“TOP DOWN” LIGHTING THE FIRE ..... 50

ADDING FIREWOOD ..... 50

EXTERNAL AIR SUPPLY ..... 50

WOOD CONSUMPTION..... 52

WARNING AGAINST OVERHEATING ..... 52

REMOVING ASH..... 52

OPERATION UNDER DIFFERENT WEATHER CONDITIONS ..... 52

CONDENSATION ..... 52

THE CHIMNEY’S FUNCTION ..... 52

**MAINTENANCE .....53**

CLEANING THE GLASS ..... 53

CLEANING AND REMOVING SOOT ..... 53

SWEEPING THE FLUE PIPE TO THE CHIMNEY..... 53

CHECKING THE FIREPLACE ..... 53

EXTERNAL MAINTENANCE..... 53

RECYCLING PACKAGING ..... 53

RECYCLING THE FIREPLACE ..... 53

**OPERATIONAL PROBLEMS - TROUBLESHOOTING .....54**

**OPTIONAL EXTRAS .....54**

**WARRANTY TERMS .....55**



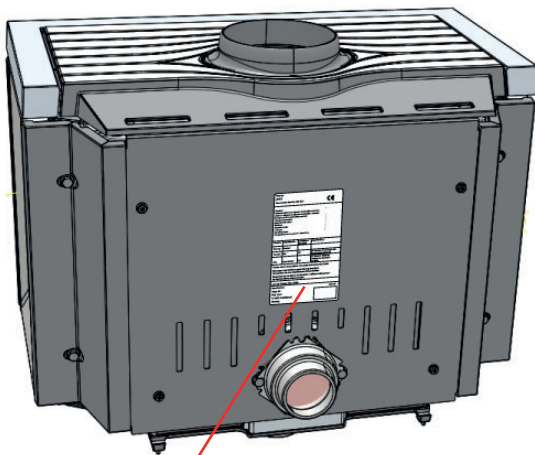
# RELATIONSHIP TO THE AUTHORITIES

The installation of a fireplace must be carried out in compliance with national laws and regulations.

The process of installing the product must be in compliance with all local ordinances, including those that refer to national and European standards. The fireplace must always be installed in compliance with national laws and regulations. Always contact your local fire safety office about current regulations before installing your fireplace.

Read the Installation instructions with technical data and the General information and maintenance manual carefully before starting assembly/installation.

A rating plate made of a heat-resistant material comes with the product. This provides information on identification and documentation of the product.



Product: Jøtul		Room heater fired by solid fuel		CE	
Standard	Minimum distance to adjacent combustible materials				
	Minimum distance to adjacent non-combustible materials				
	Emission of CO in combustion products				
	Flue gas temperature				
	Nominal heat output				
	Efficiency				
	Operation range				
	Fuel type				
	Operational type				
	The appliance can be used in a shared flue.				
Country	Classification	Certificate/standard	Approved by		
Norway	Etaner II				
Sweden	OGC	SP	SP Sveriges Provnings- och Forskningsinstitut AB		
EU	Intermittent	EN	SP Swedish National Testing and Research Institute		
Follow user's instructions. Use only recommended fuel.					
Montage- und Bedienungsanleitung beachten.					
Verwenden Sie nur empfohlenen Brennstoffen.					
Respectez les consignes d'utilisation. Utilisez uniquement les combustibles recommandés.					
Lot No: Y-xxxx, Year: 20xx					
Manufacturer:	221596				
Jøtul AS					
POB 1441					
N-1602 Fredrikstad					
Norway					

The serial number and year are marked on a label on all our products. Write this number in the place indicated in the Installation instructions.

This serial number must always be quoted when contacting your dealer or Jøtul.

Lot no.	Pin.
<input type="text"/>	<input type="text"/>

# TECHNICAL DATA

Material	Cast iron
Surface treatment	Black paint
Type of fuel	Wood
Max. log length	60 cm
Recommended log length	20-33cm
Smoke outlet	Top
Flue pipe dimension	Ø 150 mm
External air connection	Alu. flex- Ø80 / Ø100 mm
Weight Jøtul F 620	<b>B:</b> 215 kg <b>P:</b> 206 kg <b>LB:</b> 173.5 kg <b>B HT:</b> 255 kg
Optional extras	Cast iron side, convection set side, convection set rear, cover outside air F 620 B, Ash lip
Product dimensions, clearances	See dimension sketches under the chapter "Safety".

Technical data in accordance with EN 13240 / NS 3058	
Nominal heat output	8.7 kW
Flue gas volume	8.6 g/s
Chimney draught, EN 13240	12 Pa
Recommended negative pressure in smoke outlet	16-18 Pa
Efficiency	77% @ 8.7 kW
CO emissions (13% O <sub>2</sub> )	0.073%
CO emissions (13% O <sub>2</sub> )	913 mg/Nm <sup>3</sup>
NOx (13% O <sub>2</sub> )	90 mg/Nm <sup>3</sup>
OGC (13% O <sub>2</sub> )	45 mg C/Nm <sup>3</sup>
Air consumption	7.0 litres/sec.
Chimney temperature, EN 13240	270°C
Dust (13% O <sub>2</sub> )	19 mg/Nm <sup>3</sup>
Particle emission NS 3059	2.56 g/kg
Fuel consumption	2.64 kg/h
Max. kindling amount	3.5 kg
Nominal kindling amount	2.1 kg (4 pieces)
Operation	Intermittent*

\*Intermittent operation means normal use of a fireplace, i.e. add more fuel as soon as the fire has burned down to embers.

Performance declaration and declaration of conformity can be found on Jøtul's website.

Register your fireplace at [intl.jotul.com/warranty](http://intl.jotul.com/warranty) to get a 25-year guarantee.



# SAFETY

**NB:** To guarantee optimal performance and safety, Jøtul recommends that its stoves are fitted by a qualified installer (see [www.jotul.com](http://www.jotul.com) for a complete list of dealers).

Any modifications to the product by the distributor, installer or consumer may result in the product and safety features not functioning as intended. The same applies to the installation of accessories or optional extras not supplied by Jøtul. This may also be the case if parts that are essential to the functioning and safety of the fireplace have been disassembled or removed.

In all these cases, the manufacturer is not responsible or liable for the product and the right to make a complaint becomes null and void.

## FIRE PREVENTION MEASURES

There is a certain element of danger every time you use your fireplace. The following instructions must therefore be followed:

The minimum safety distances when installing and using the fireplaces are given in the figures on the following pages.

- Ensure that furniture and other combustible materials are not too close to the fireplace. Combustible materials must not be placed within 1,000 mm of the fireplace opening.
- Allow the fire to burn out. Never extinguish the flames with water.
- The fireplace becomes hot when lit and may cause burns if touched.
- Only remove ash when the fireplace is cold. Ash can contain hot embers and should therefore be placed in a non-flammable container.
- Ash should be placed outdoors or be emptied in a place where it will not pose a potential fire hazard.

### In case of a fire in the chimney:

- Close all openings and valves.
- Keep the door to the firebox closed.
- Call the fire department.
- Ensure that the fireplace and the chimney are inspected and given a green light by a professional before you start to use the fireplace again after an outbreak of fire.

## FLOOR

### Foundations

You must make sure that the foundation is suitable for the fireplace. See **“Technical Data”** for specified weight. We recommend the removal of any flooring that is not attached to the foundation (“floating floors”) beneath the installation.

### Requirements for protection of combustible floors under the fireplace

The product can be installed directly on a combustible floor that is covered by a sheet of metal or other non-flammable material.

Recommended thickness is a minimum of 0.9 mm).

The function of a floor plate is to protect the floor and flammable materials against embers. Jøtul recommends that floor covering made of flammable material, such as linoleum, carpets, etc., be removed from under the floor plate.

The floor plate must comply with national laws and regulations. Contact your local building authorities regarding restrictions and installation requirements.

**For Norway:** Minimum 300 mm in front of the door and width at least the same as the door.

## WALLS

- Place the product in such a way that it is possible to clean the stove, the flue pipe and the chimney passage.
- Ensure that furniture and other combustible materials are not too close to the fireplace.
- Make sure that furniture and other household items are not so close as to get dried up by the stove.

Distance to walls made of combustible material – see the figures on the following pages.

The distances relate to a shielded flue pipe/semi-insulated pipe.

The fireplace can be installed with an uninsulated flue pipe. In this case, the flue pipe must be CE marked and the pipe’s declared distance to flammable materials must be taken into consideration.

### Combustible wall protected by firewall

Distance to combustible wall protected by firewall – see the figures on the following pages.

### Requirements for firewall

The firewall must be at least 110 mm thick and made of brick, concrete or lightweight concrete. Other materials and structures with satisfactory documentation may also be used, e.g. 50 mm Jøtul Firewall.

Non-flammable materials refer to materials that cannot burn, e.g. bricks, tiles, concrete, mineral wool, various silicate plates, etc. Bear in mind that a short distance to non-flammable walls can result in the drying out and discolouration of paintwork, as well as lead to the formation of cracks.

## CEILING

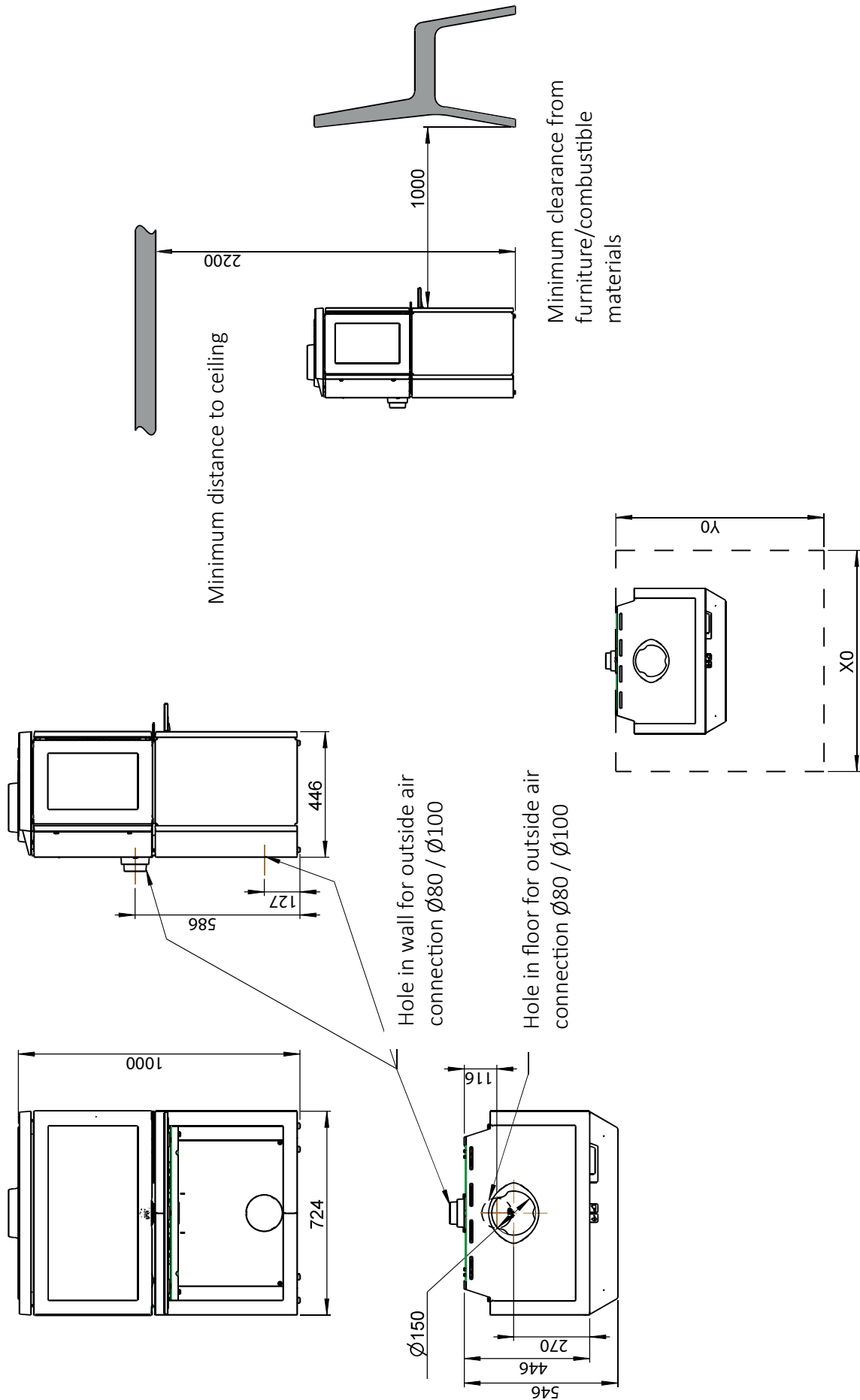
There must be a minimum distance of **750 mm** between the fireplace and a ceiling made of a combustible material above the fireplace.





# JØTUL F 620 B: DIMENSIONAL DIAGRAM AND ASSEMBLY DISTANCES

## JØTUL F 620 B

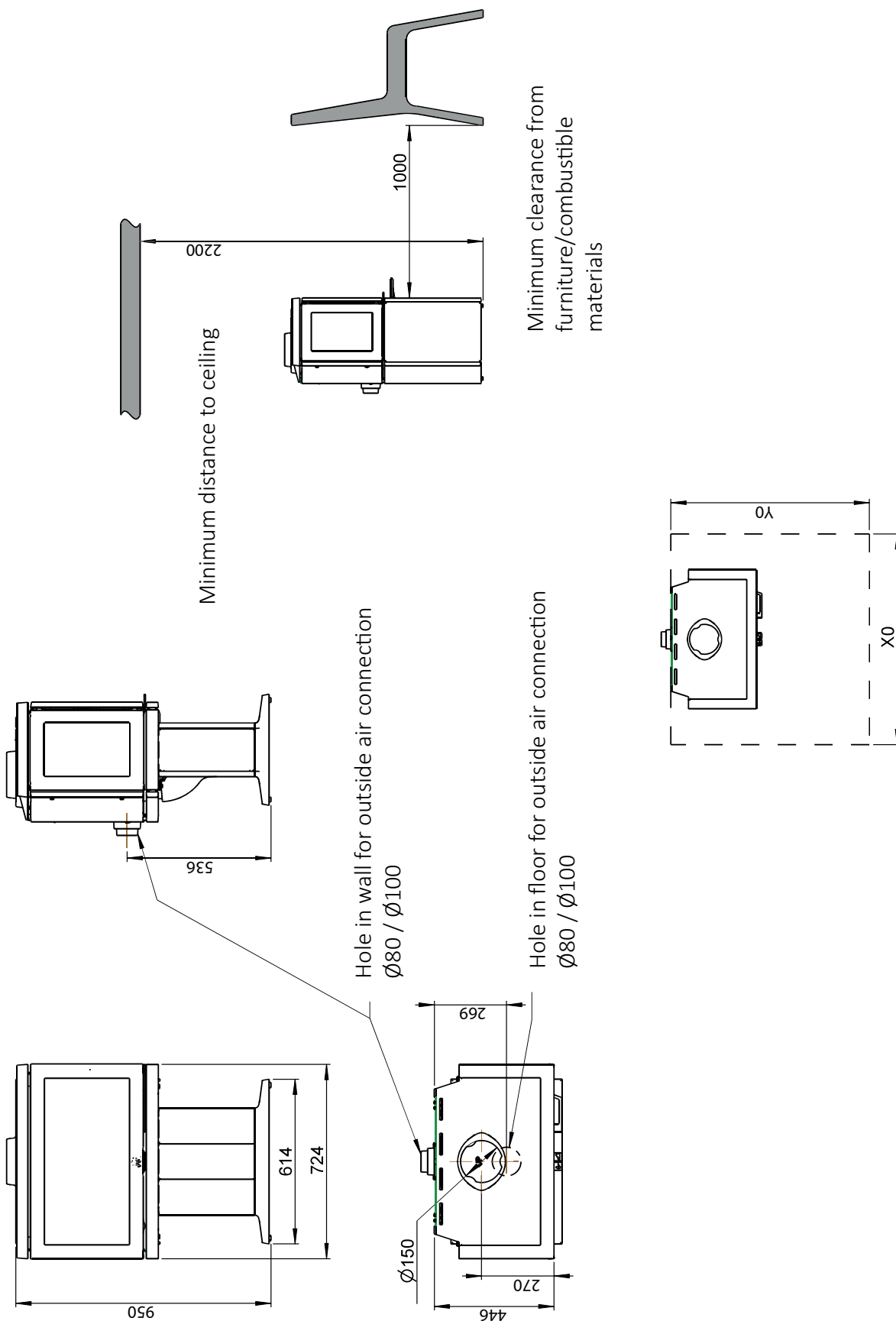


Min. dimensions for floor plate  
X/Y = in compliance with national laws and regulations



# JØTUL F 620 P: DIMENSIONAL DIAGRAM AND ASSEMBLY DISTANCES

## JØTUL F 620 P



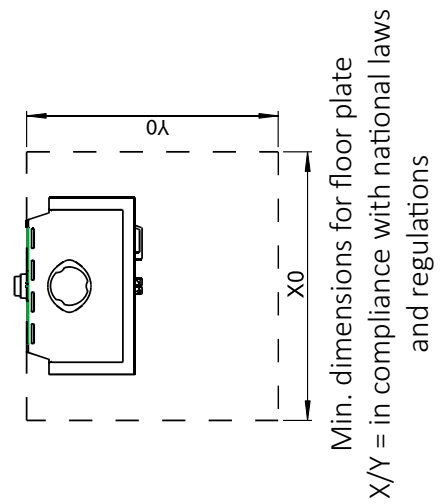
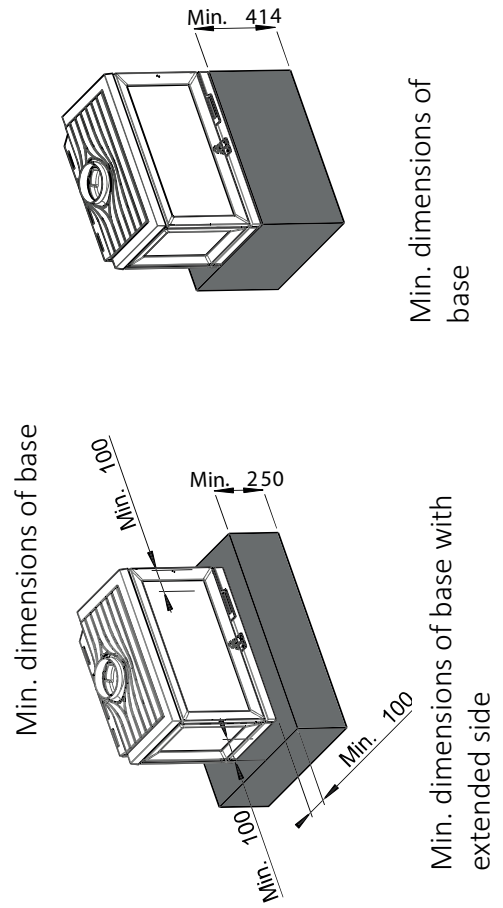
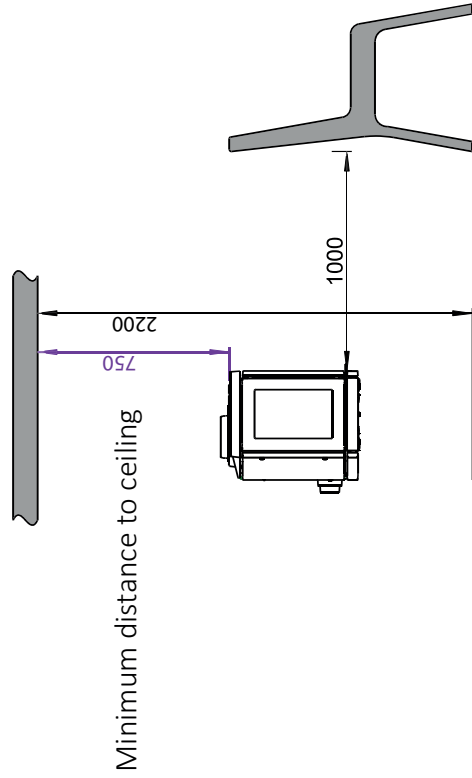
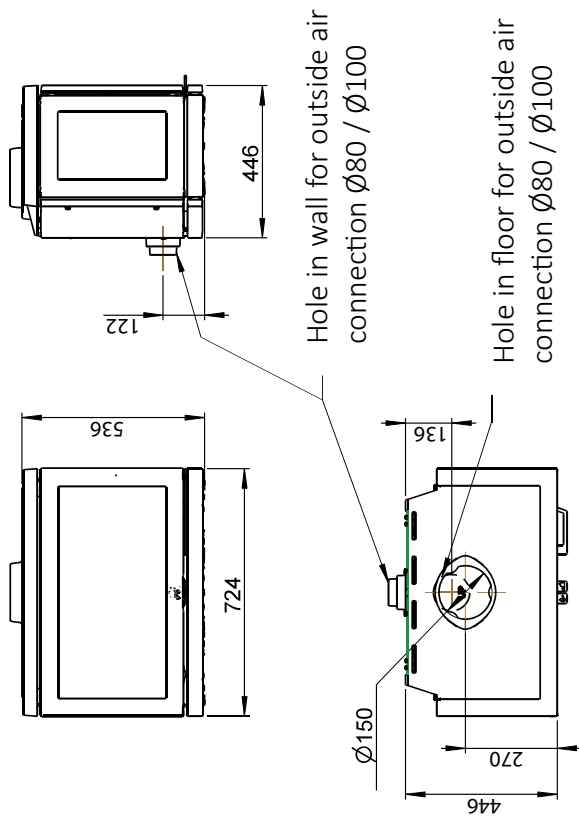
Min. dimensions for floor plate  
X/Y = in compliance with national laws and regulations





# JØTUL F 620 LB: DIMENSIONAL DIAGRAM AND ASSEMBLY DISTANCES

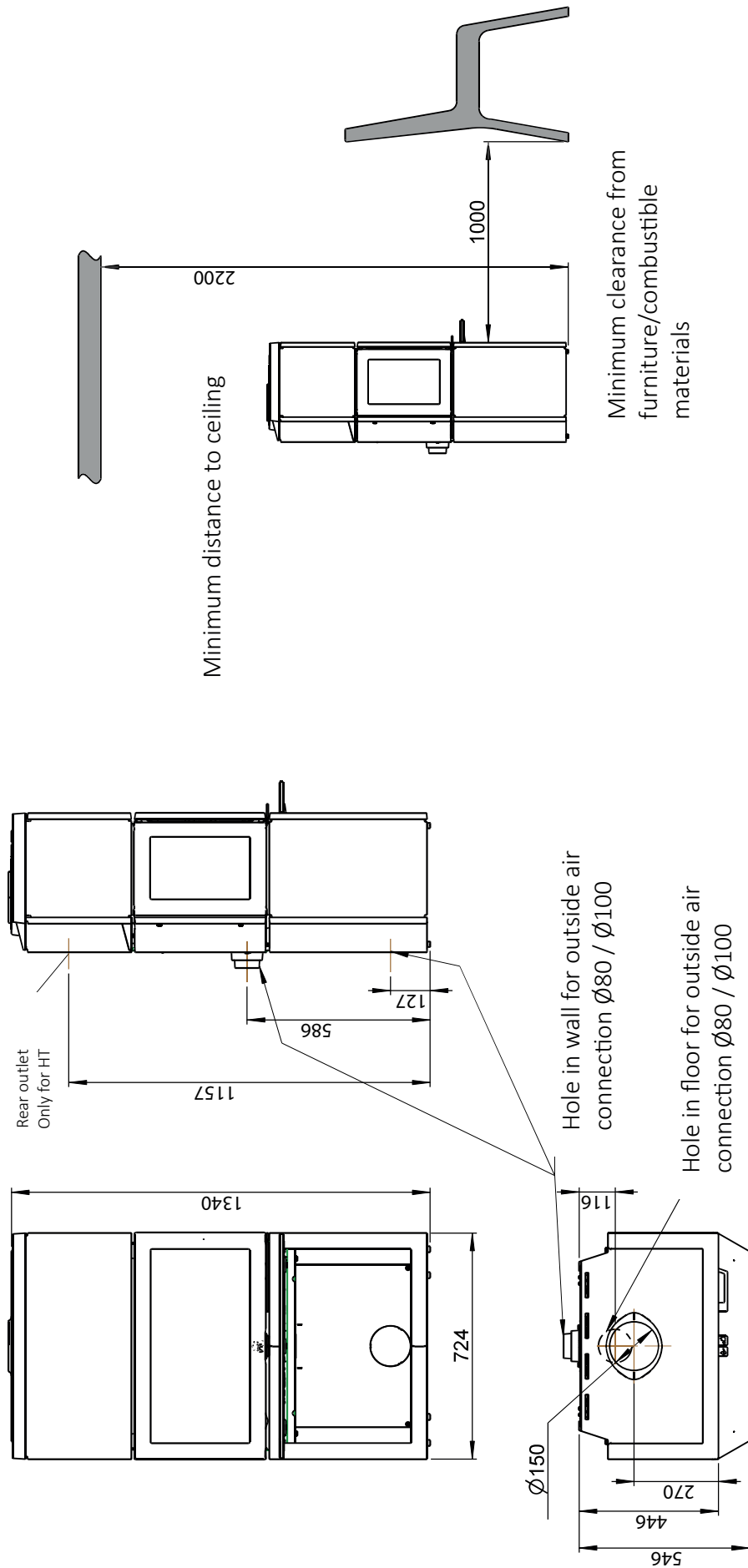
## JØTUL F 620 LB



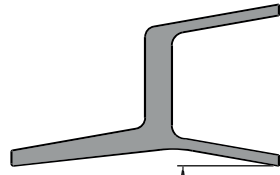
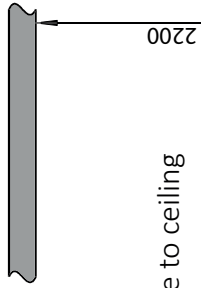


# JØTUL F 620 B HT: DIMENSIONAL DIAGRAM AND ASSEMBLY DISTANCES

## JØTUL F 620 B HT

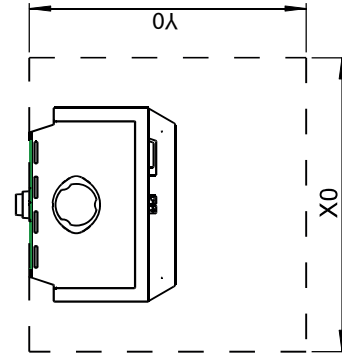


Minimum distance to ceiling



1000

Minimum clearance from furniture/combustible materials



Min. dimensions for floor plate  
X/Y = in compliance with national laws and regulations



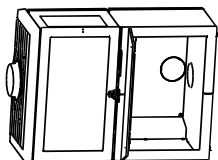
# JØTUL F 620: MINIMUM DISTANCE TO COMBUSTIBLE WALL

## F 620: MIN. DISTANCE TO COMBUSTIBLE WALL

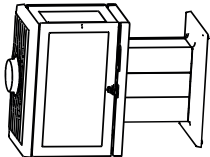
F 620: Minimum distance to combustible wall

Combustible wall

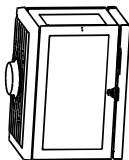
F 620 B



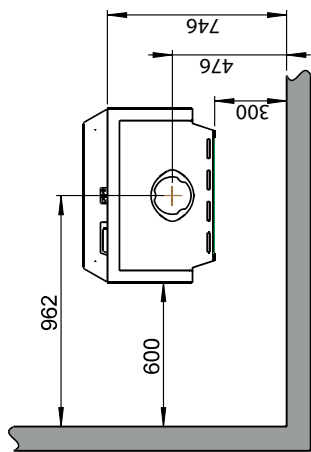
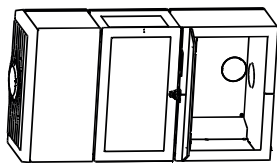
F 620 P



F 620 LB

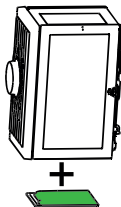


F 620 B HT

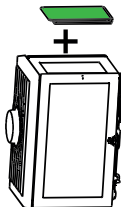


F 620 B / F 620 P / F 620 LB / F 620 B HT  
- With retrofitted cast iron side

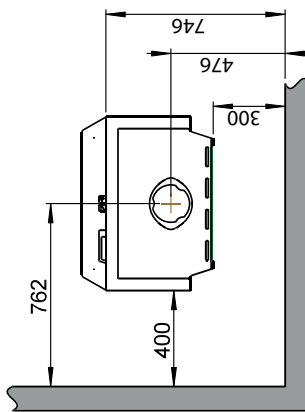
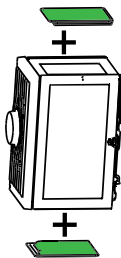
FR



FL

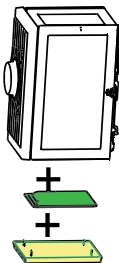


F

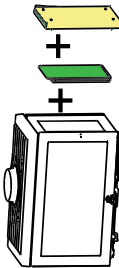


F 620 B / F 620 P / F 620 LB / F 620 B HT  
- With retrofitted cast iron side and convection kit side  
- With retrofitted convection kit rear

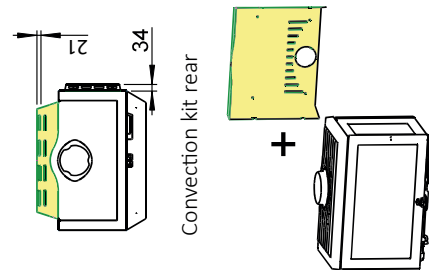
FR  
Convection kit side



FL  
Convection kit side



Convection kit rear

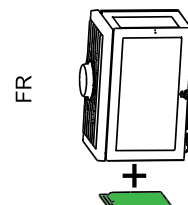
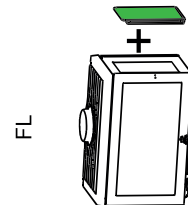
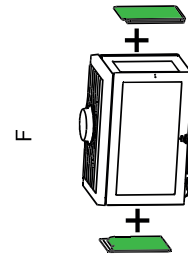
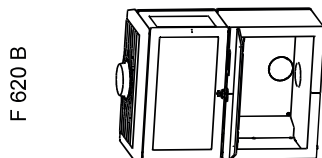
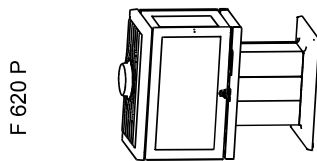
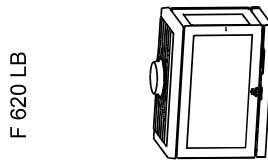
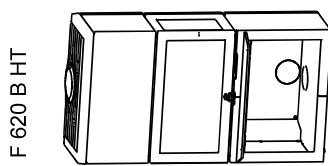
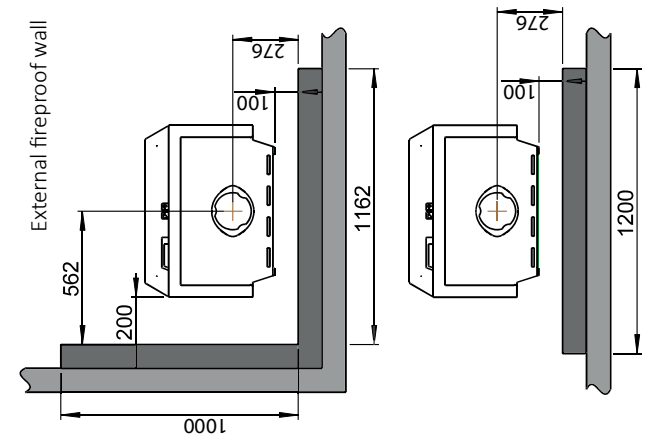
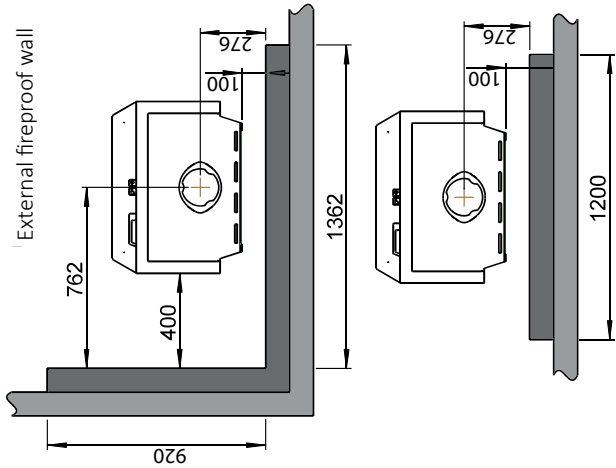
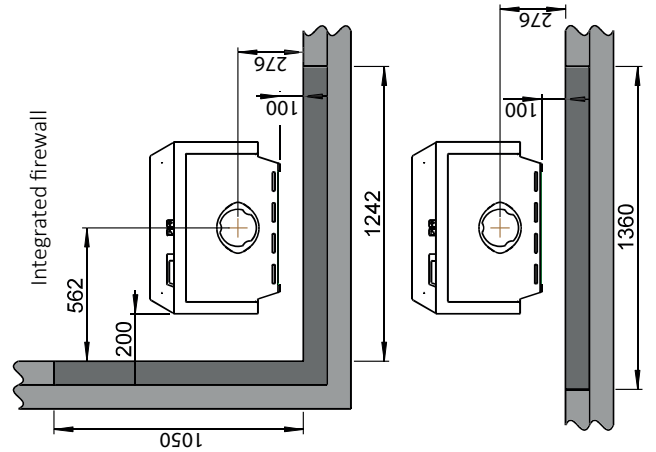
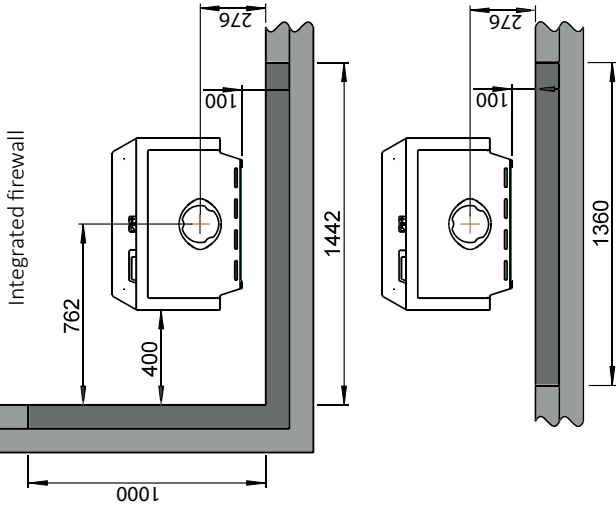




# JØTUL F 620: MINIMUM DISTANCE TO COMBUSTIBLE WALL PROTECTED BY APPROVED FIREPROOF WALL

Combustible wall  
Firewall (See Chapter 3.3 in the manual)

F 620: Minimum distance to combustible wall protected by approved fireproof wall



F 620 B / F 620 P / F 620 LB / F 620 HT  
- With retrofitted cast iron side



# INSTALLATION

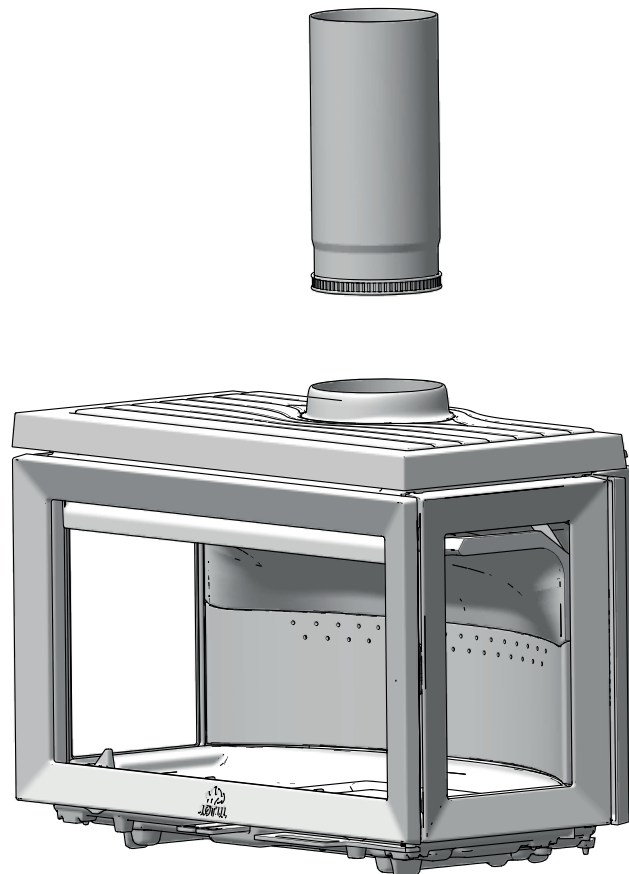
## CHIMNEY AND FLUE PIPE

---

- The fireplace can be connected to a chimney and flue pipe approved for solid fuel fireplaces with flue gas temperatures as specified in “**Technical Data**”. If a steel chimney is used, this must be marked with T 400 and G for soot fire testing.
- The cross-section of the chimney must be at least as large as that of the flue pipe: Ø150 mm flue pipe- 177 cm<sup>2</sup>.
- Several solid fuel stoves can be connected to the same chimney system if the chimney cross section is adequate.
- The specified distance to combustible materials applies to this stove.
- Use a CE approved flue pipe and/or steel chimney.
- Take into account the distance from the flue pipe to combustible materials.
- The chimney must be connected in accordance with the installation instructions of the chimney supplier.
- Before a hole is made in the chimney, the fireplace should be test-mounted in order to correctly mark the position of the fireplace and the hole in the chimney. See “**Dimensional diagram and assembly distances**” for your stove for minimum dimensions.
- Use a flue pipe bend with a sweep hatch to allow sweeping.
- Numerous flue bends (and flue bends of many degrees) can affect the draught in the chimney. The same can occur in the case of long horizontal lengths. Please note that it is extremely important for connections to have a degree of flexibility. This is to prevent any movement in the installation leading to the formation of cracks.
- For recommended chimney draught, see “**Technical Data**”. For flue pipe dimensions, see “**Technical Data**”.

**NB:** The minimum recommended chimney length is 3.5 m. If the draught is too strong, a flue pipe damper can be installed and used to reduce the draught.

When installing a flue pipe damper, this must be of the type that does not close the flue pipe fully. The damper must be easy to operate, and must have a free opening of at least 20 cm<sup>2</sup>, or 3% of the flue pipe’s cross-section if this is larger. The position of the damper must be visible when operating the stove. If a draught regulator is installed, the requirement regarding the free cross-section does not apply, although the unit must be easily accessible for cleaning.





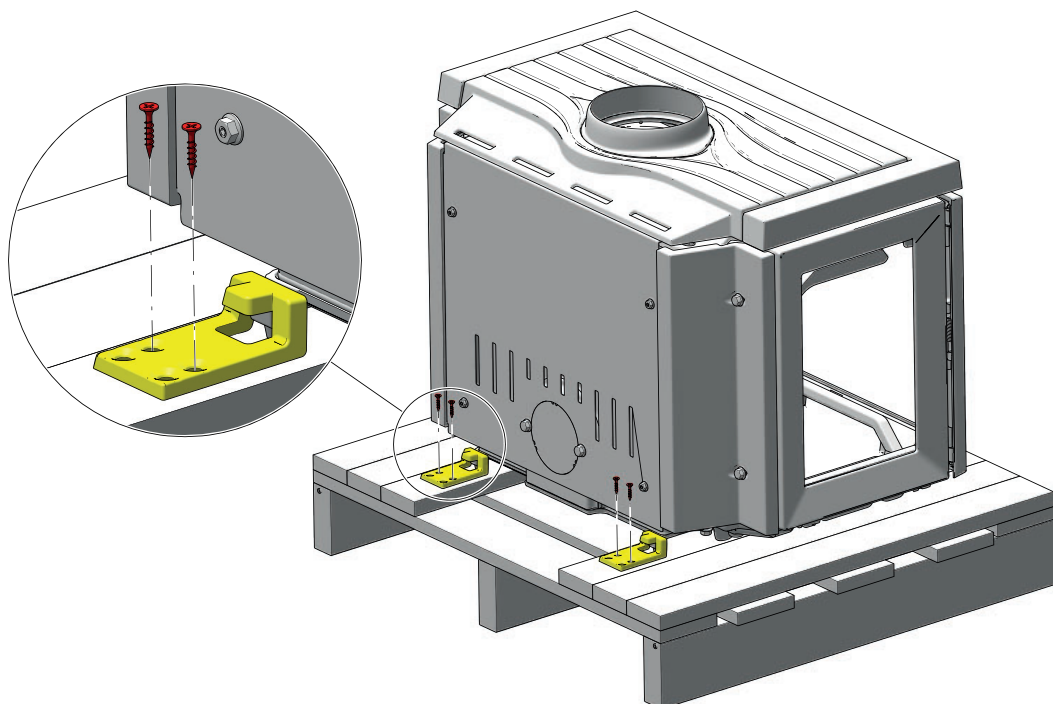
## PRIOR TO INSTALLATION

---

- Before installing the fireplace, check it carefully for any signs of damage
- The product is heavy! Ask someone to help you when positioning and installing it. We recommend using a lifting device.
- Make sure that furniture and other household items are not so close as to get dried up by the stove.

### Remove the transport brackets

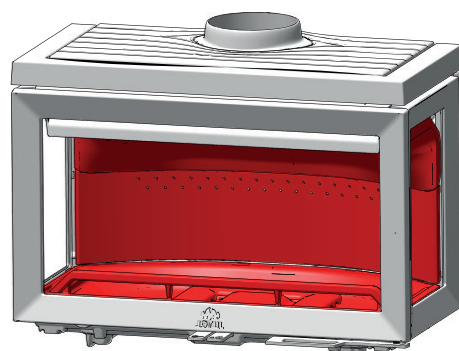
- The standard product comes in two packages. One contains the fireplace itself, the other contains the base or pedestal in cast iron.
- Remove screws from the brackets to release the burn chamber from the pallet.
- The burn chamber must be laid on its back to secure the base. Before doing this, loose parts should be dismantled. Dismantling is presented on page 46.
- Exercise caution when dismantling the parts.



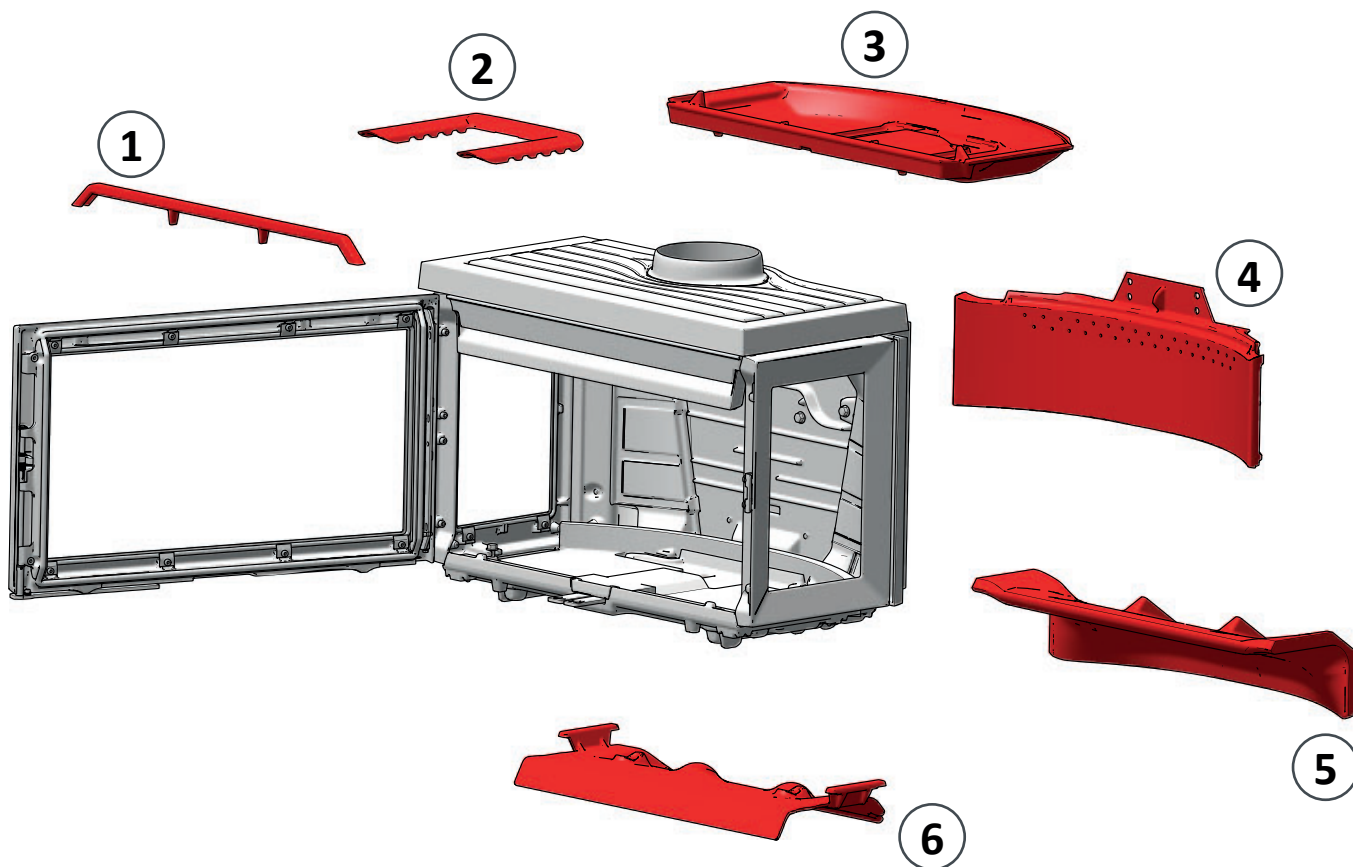


## DISMANTLING PARTS

1. Log retainer
2. Inner bottom grate
3. Inner bottom
4. Rear burn plate
5. Baffle plate
6. Exhaust deflector



PRESS HERE TO NAVIGATE TO DISMANTLING INTERNAL PARTS



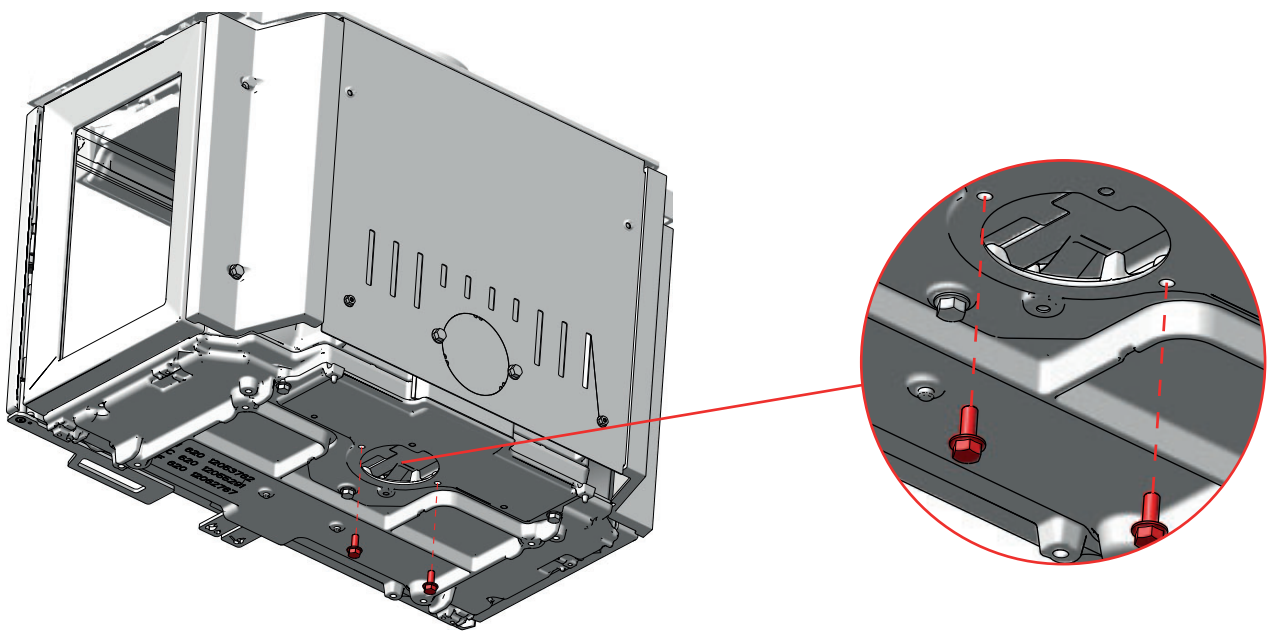


# INSTALLATION JØTUL F 620 B - OUTSIDE AIR BOTTOM

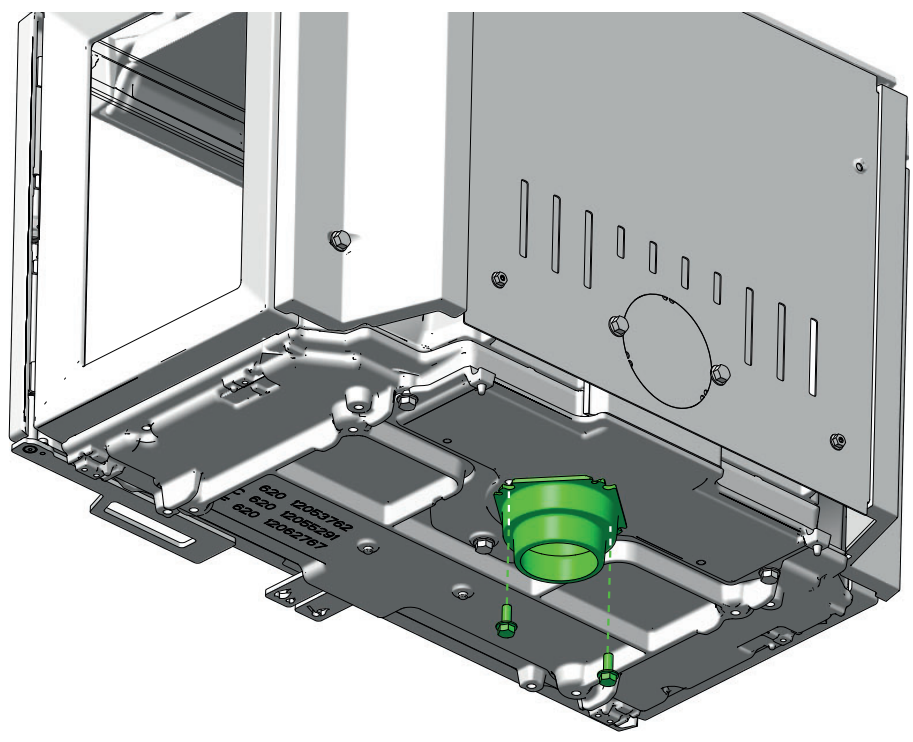


F 620 Base

1



2





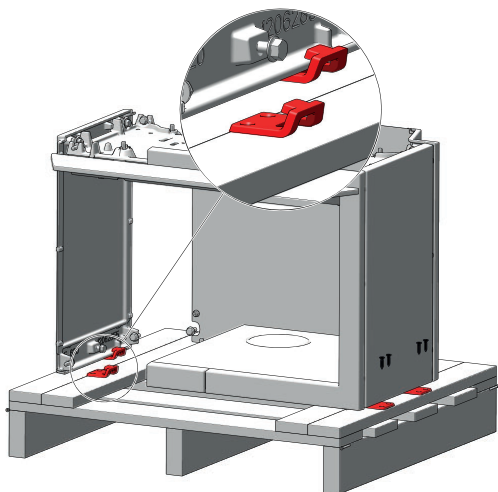


# INSTALLATION JØTUL F 620 B - OUTSIDE AIR BOTTOM

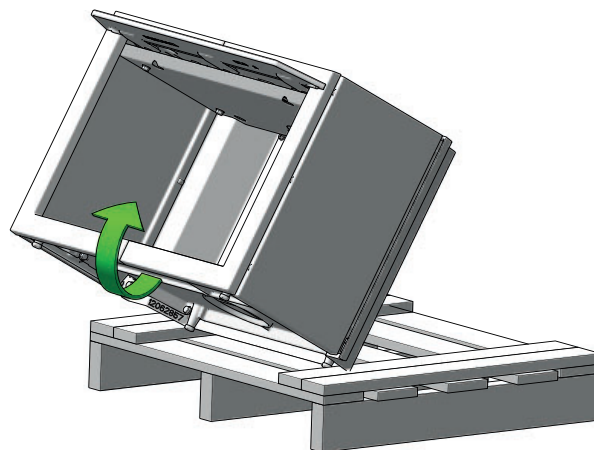


F 620 Base

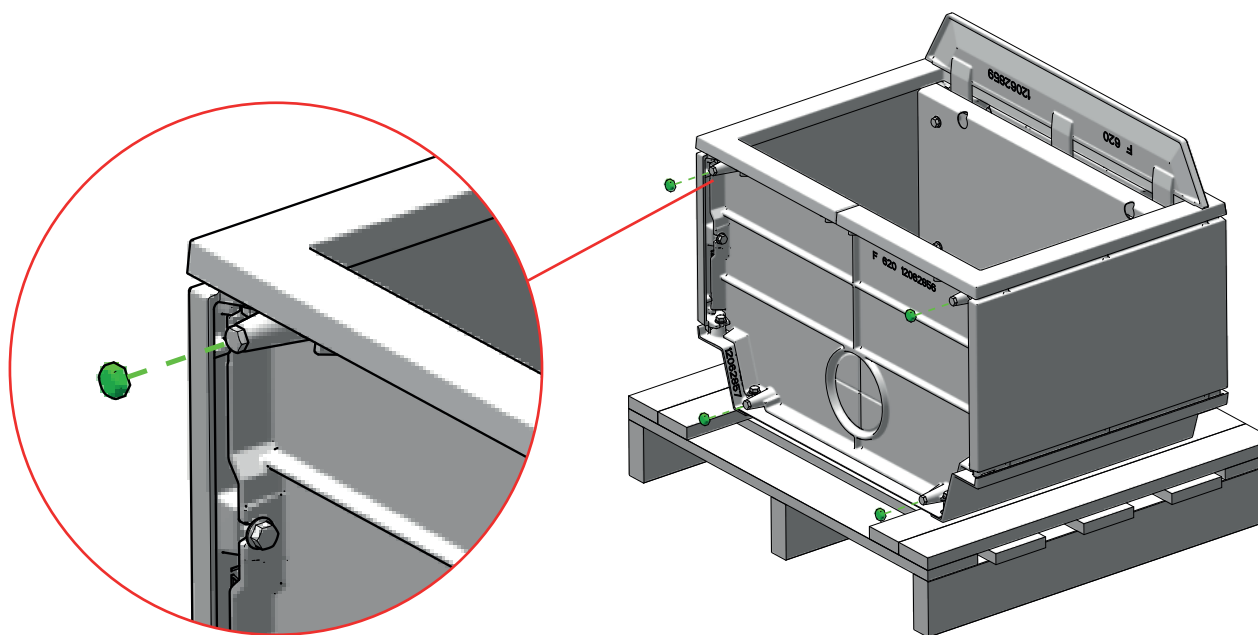
3



4



5



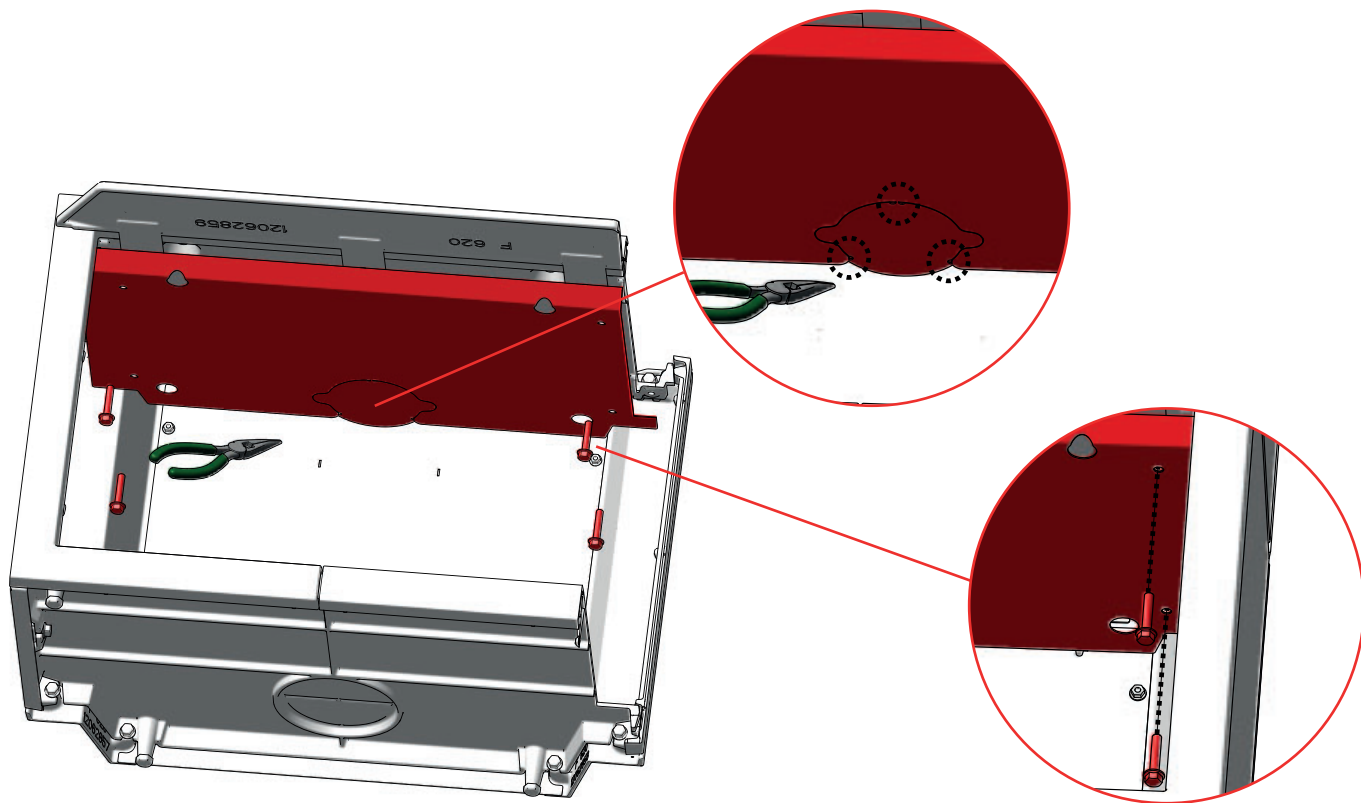


# INSTALLATION JØTUL F 620 B - OUTSIDE AIR BOTTOM

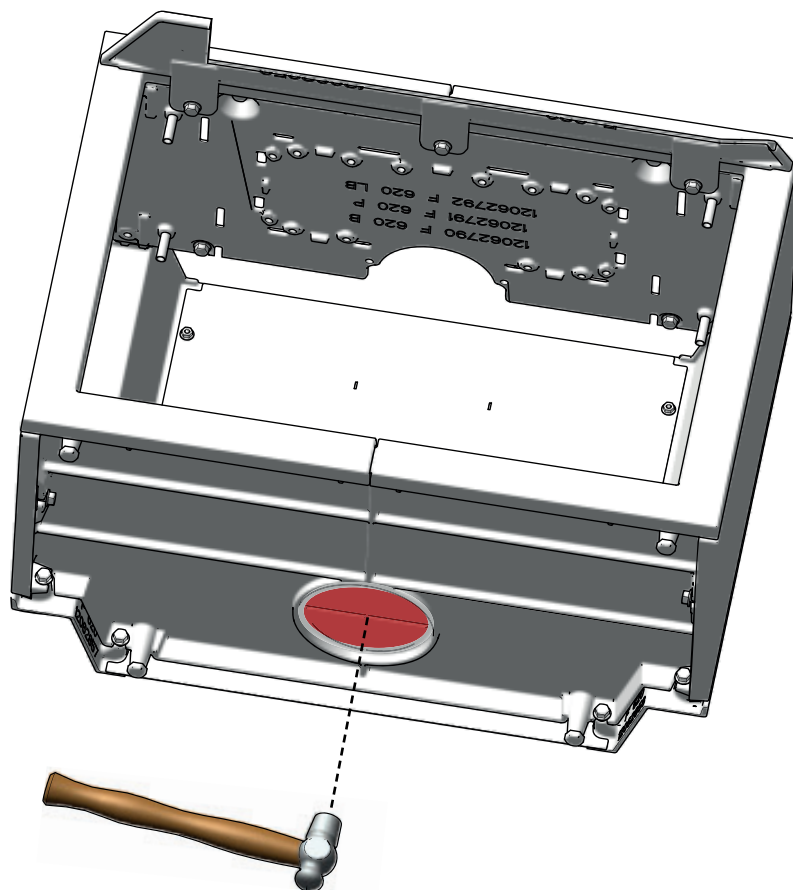


F 620 Base

6



7



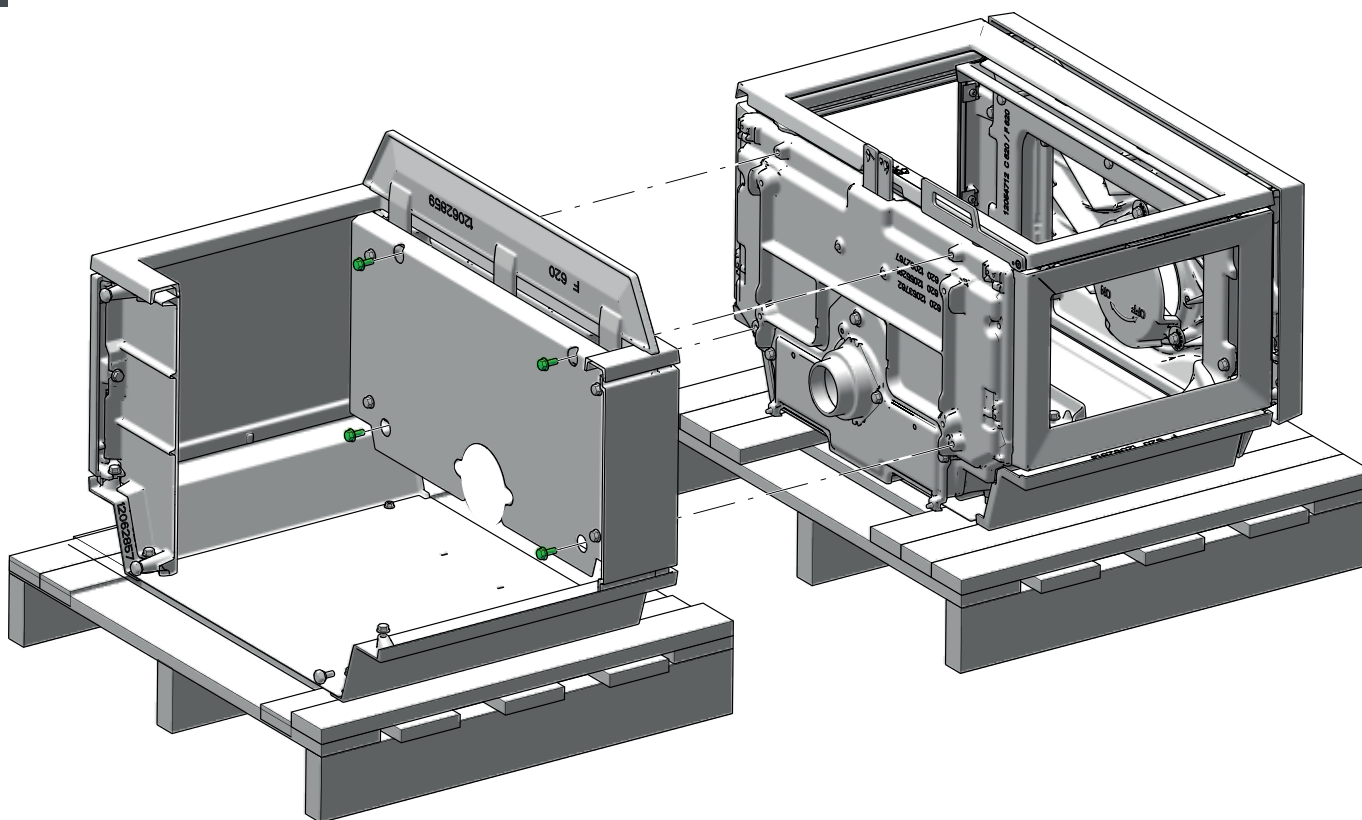


# INSTALLATION JØTUL F 620 B - OUTSIDE AIR BOTTOM

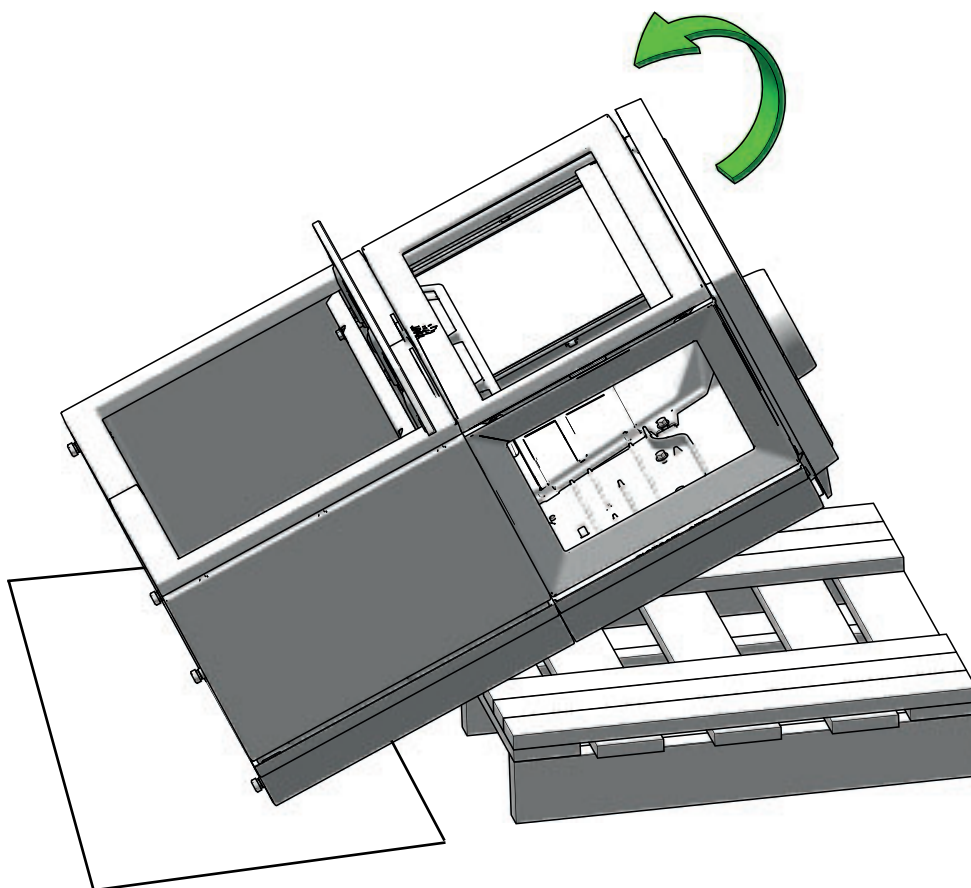


F 620 Base

8



9



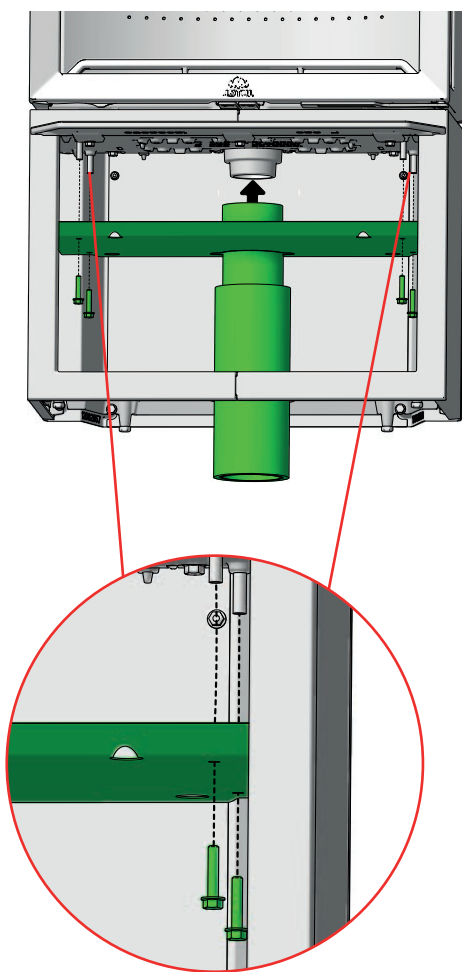


# INSTALLATION JØTUL F 620 B - OUTSIDE AIR BOTTOM

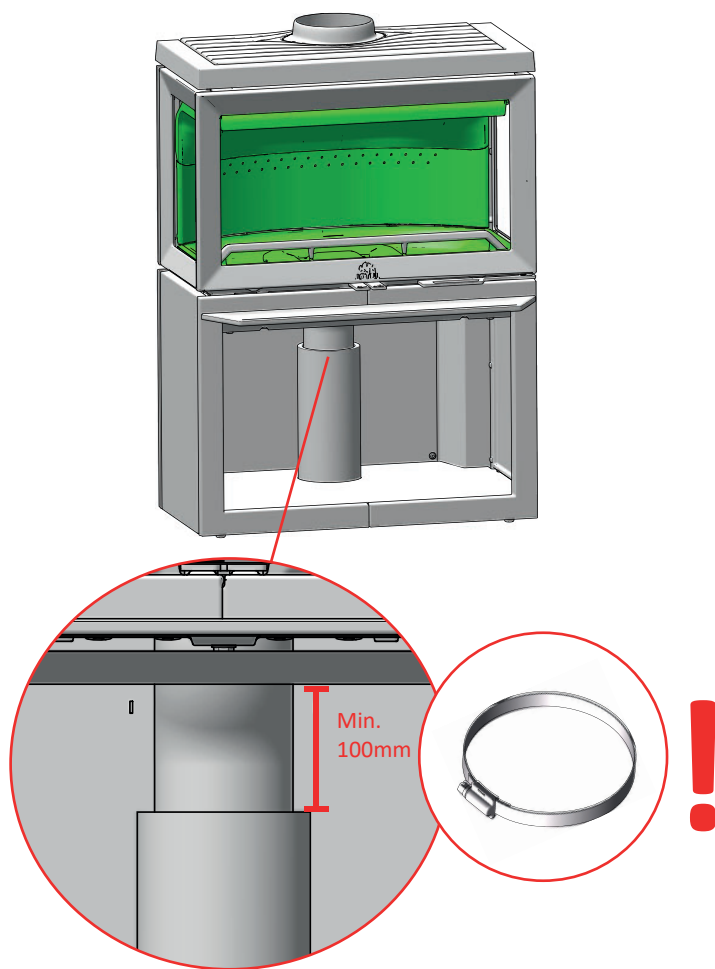


F 620 Base

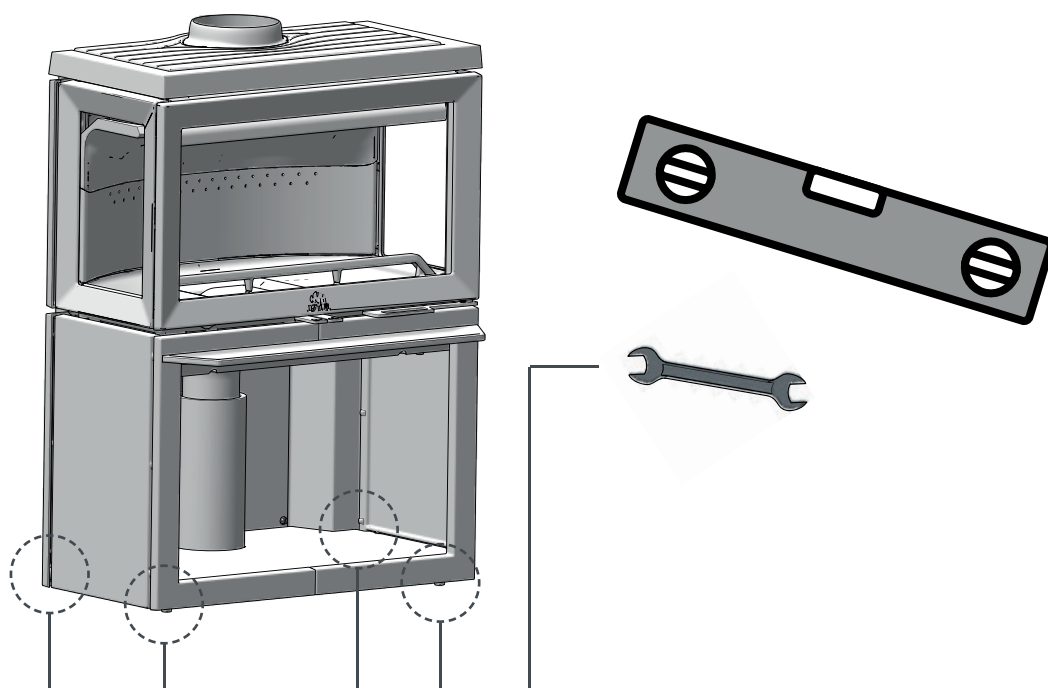
10



11



12



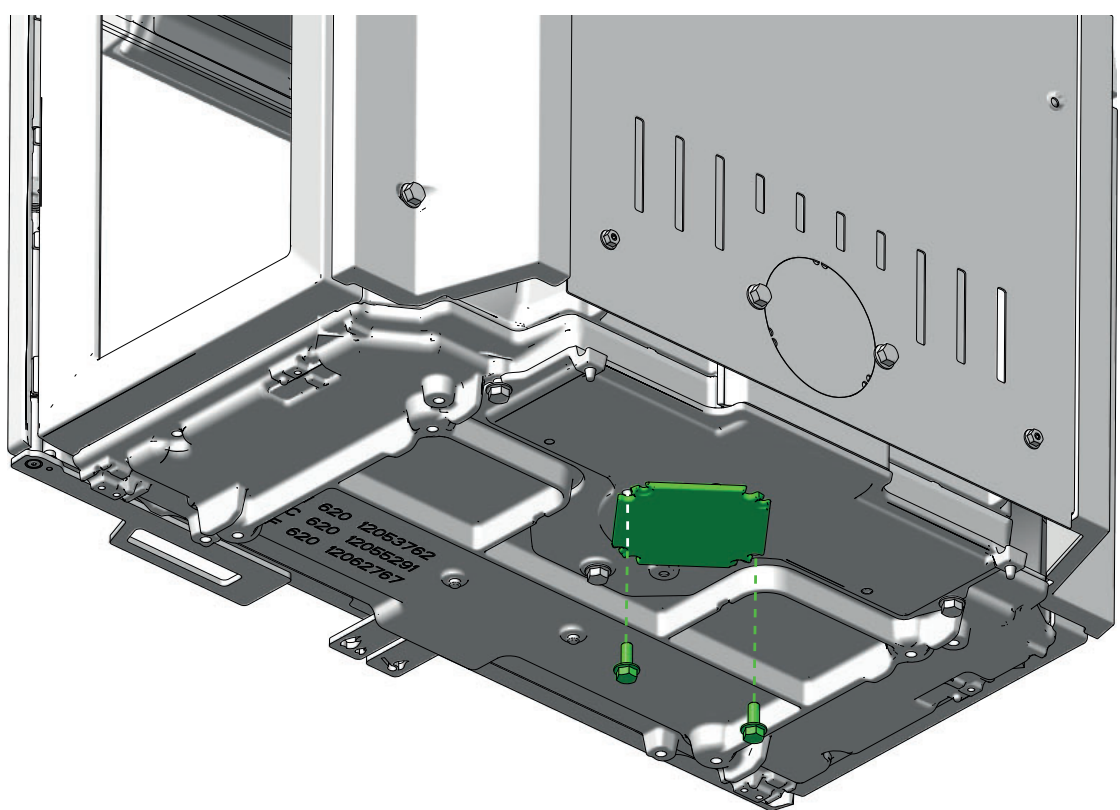


# INSTALLATION JØTUL F 620 B - OUTSIDE AIR REAR

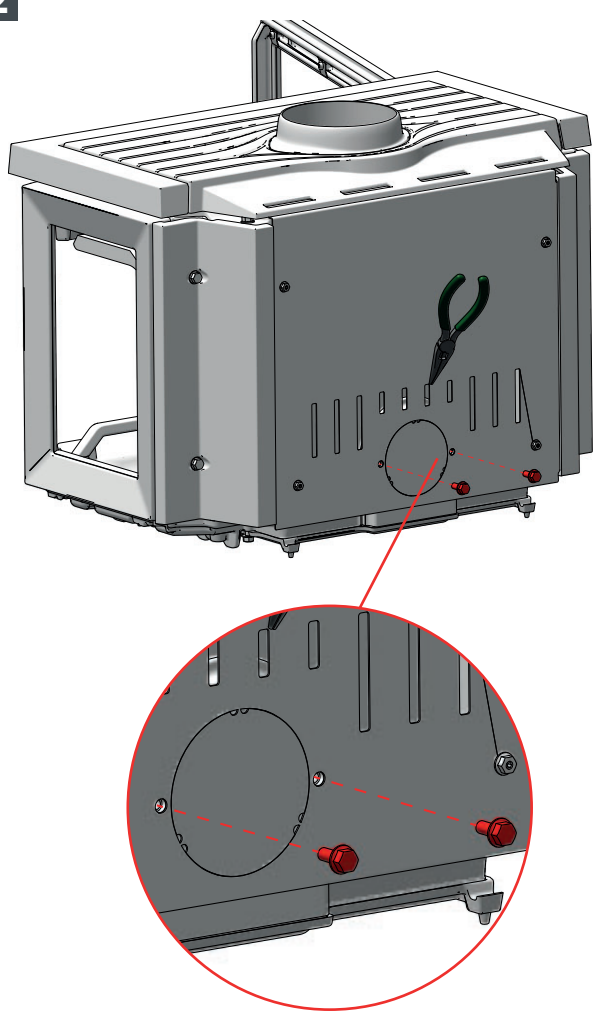


F 620 Base

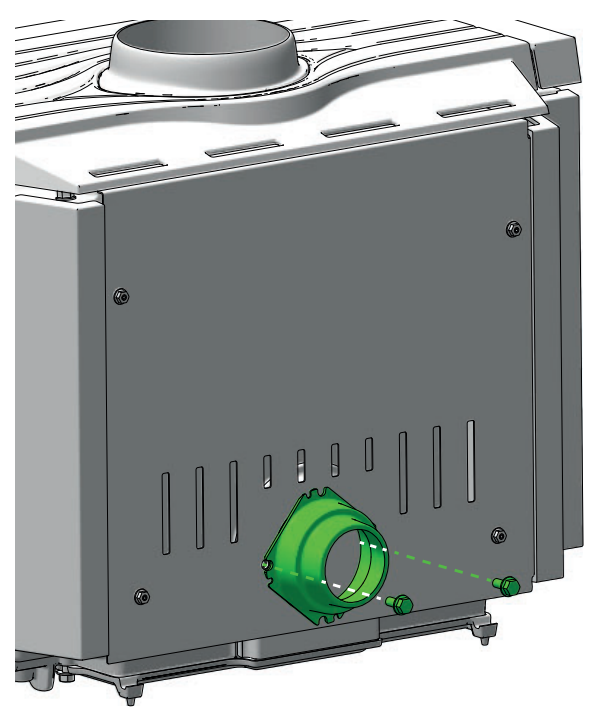
1



2



3



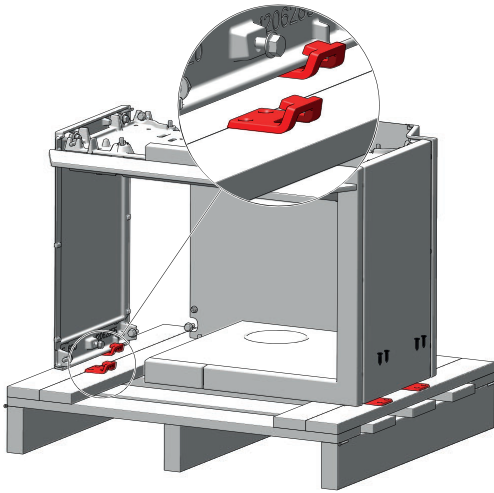


# INSTALLATION JØTUL F 620 B - OUTSIDE AIR REAR

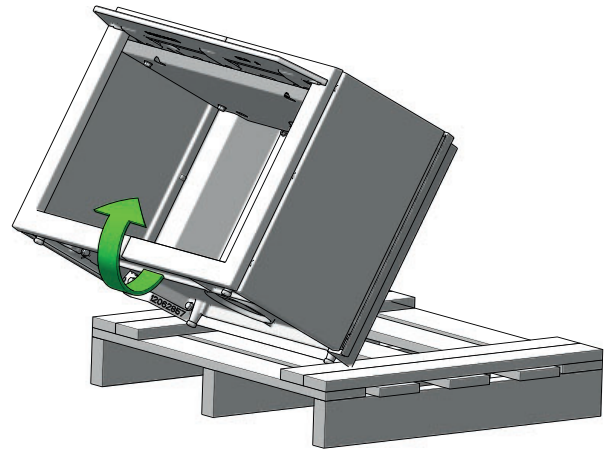


F 620 Base

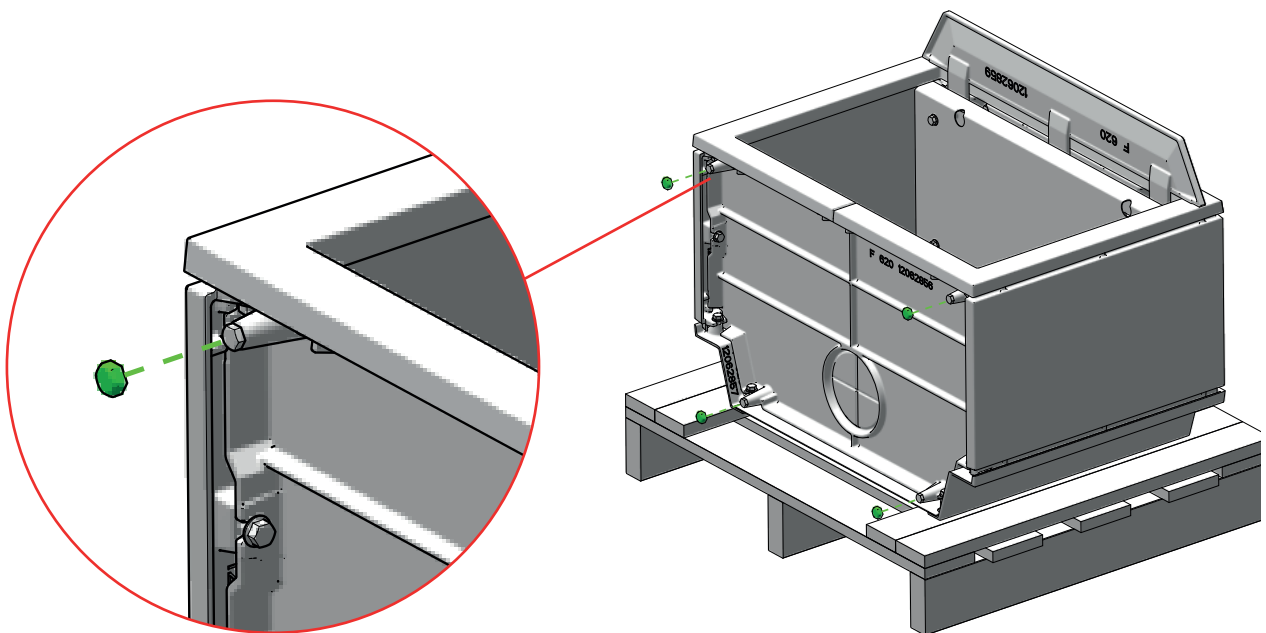
4



5



6



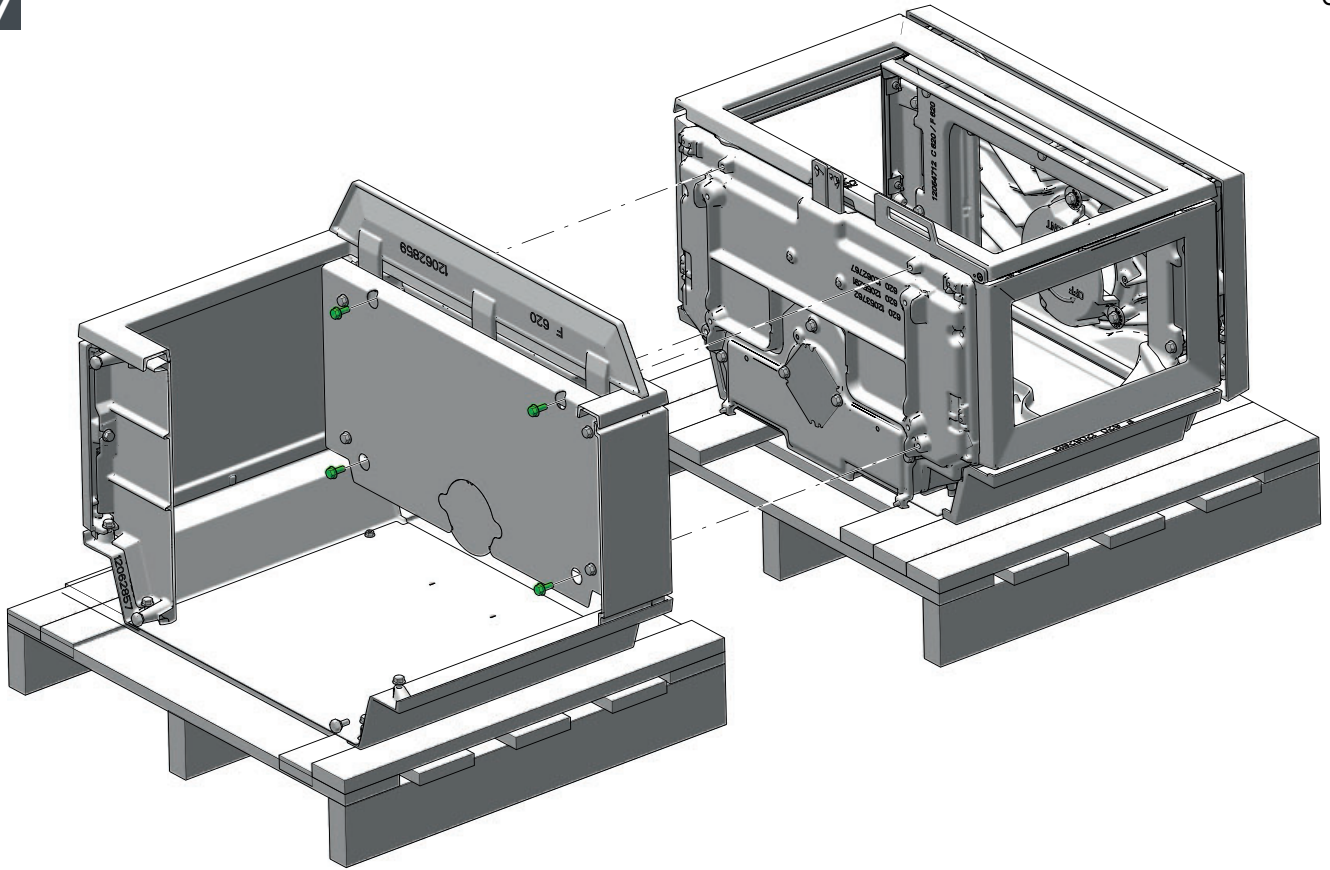


# INSTALLATION JØTUL F 620 B - OUTSIDE AIR REAR

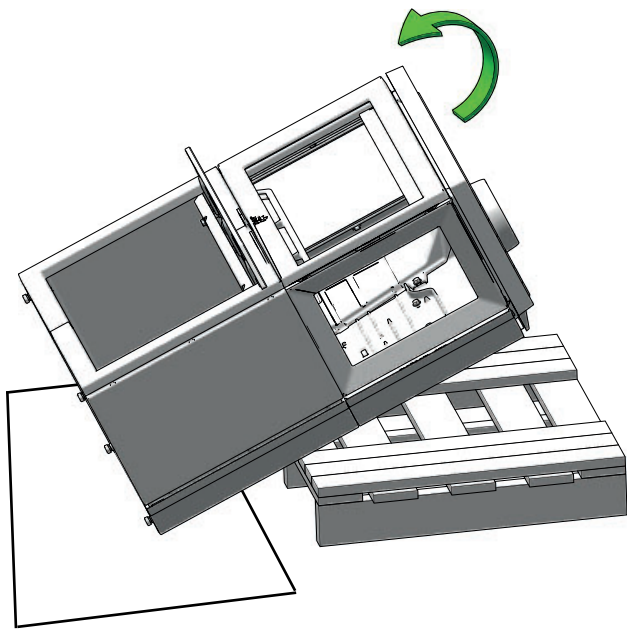


620 Base

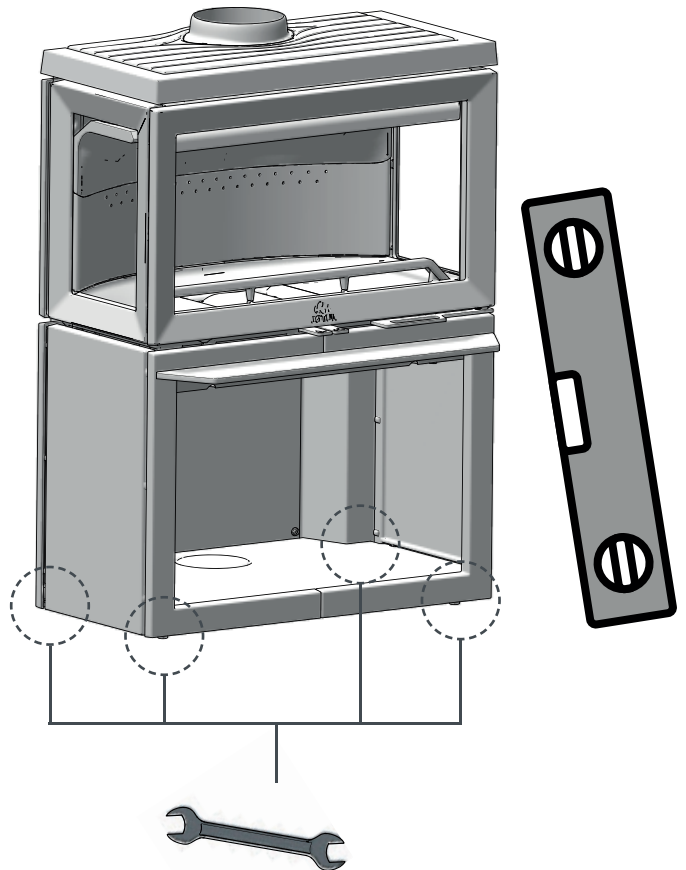
7



8



9



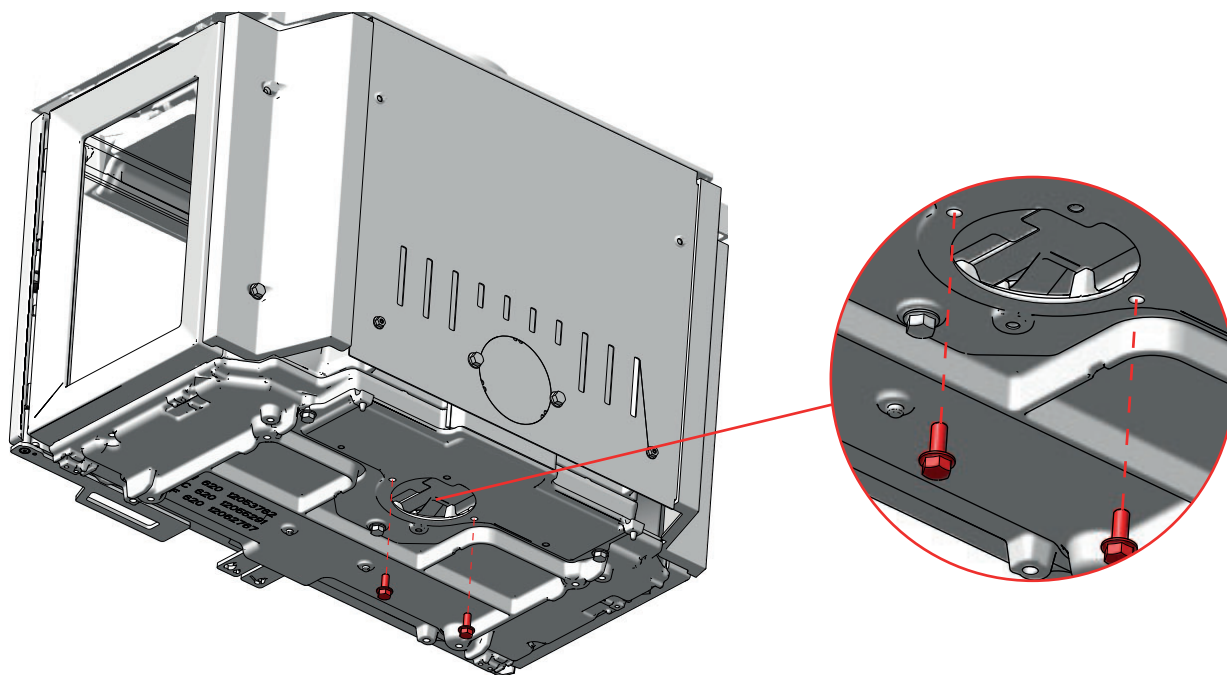


# INSTALLATION JØTUL F 620 P - OUTSIDE AIR BOTTOM

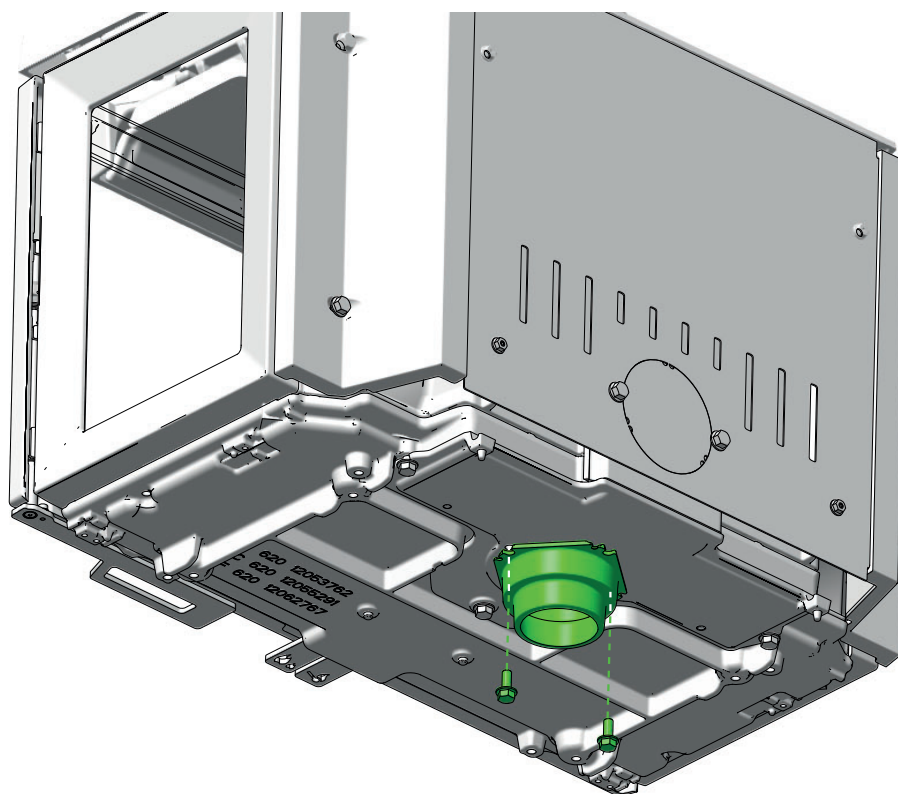


F 620  
Pedestal

1



2





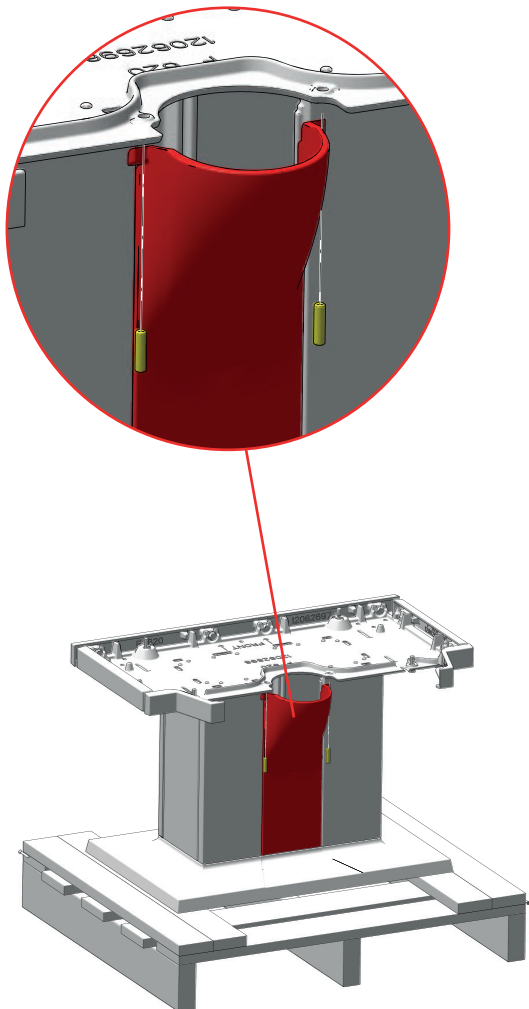


# INSTALLATION JØTUL F 620 P - OUTSIDE AIR BOTTOM

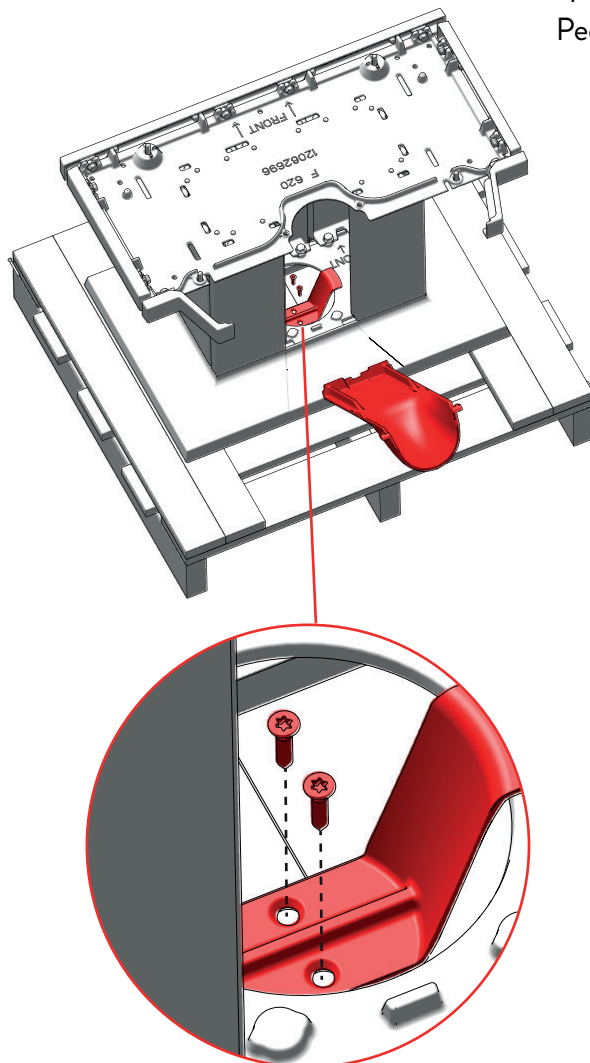


F 620  
Pedestal

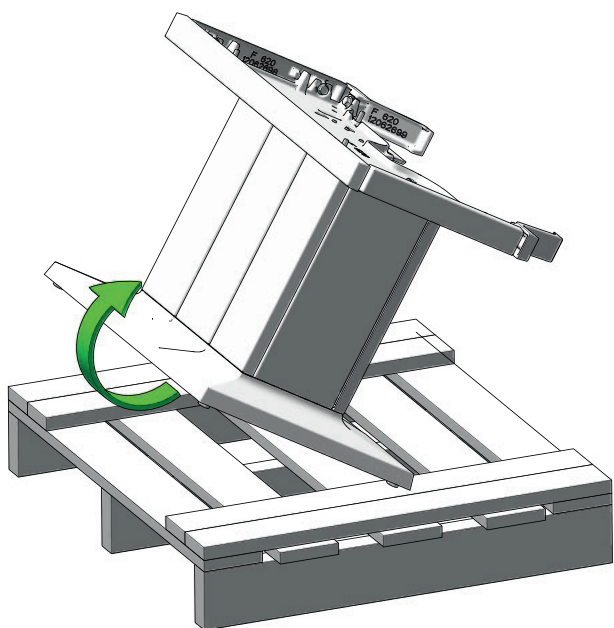
3



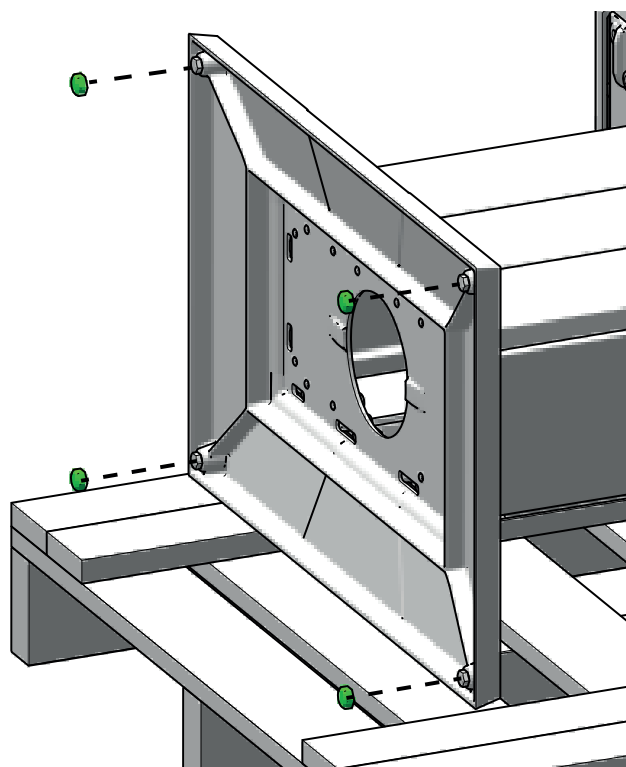
4



5



6



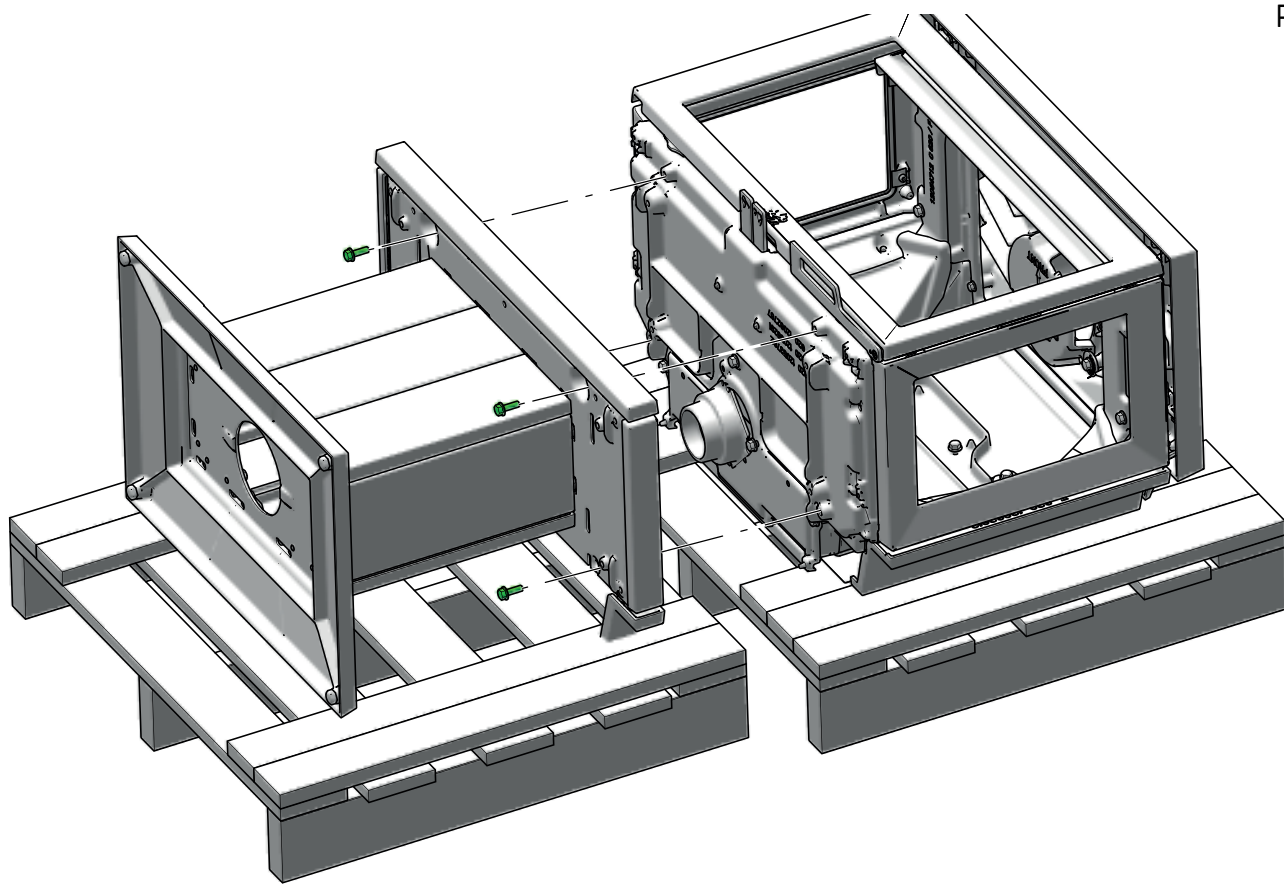


# INSTALLATION JØTUL F 620 P - OUTSIDE AIR BOTTOM

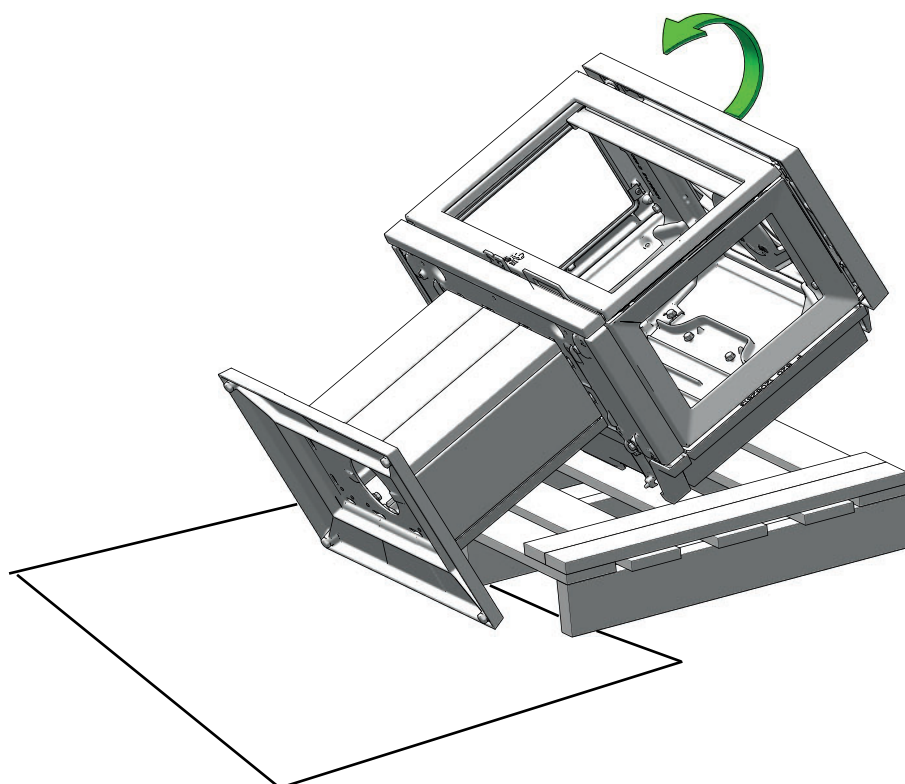


F 620  
Pedestal

7



8



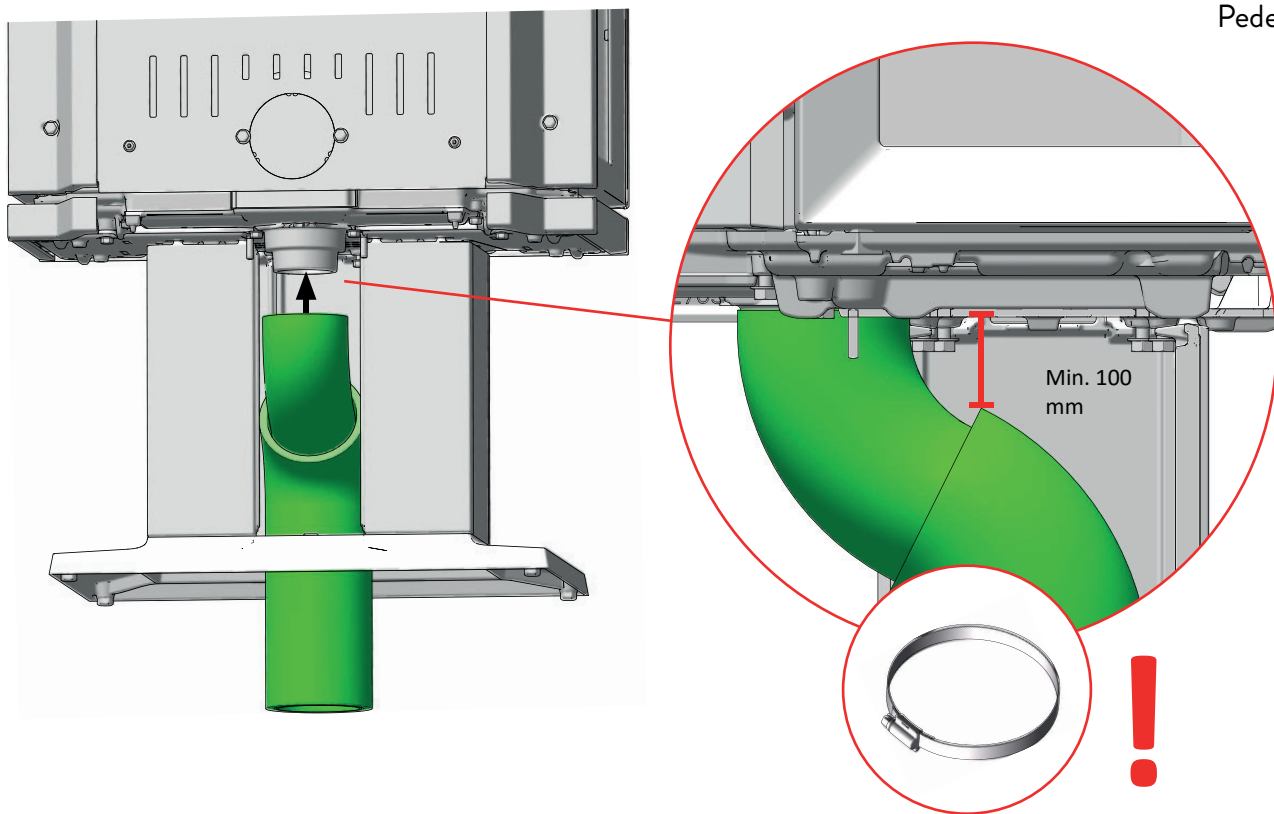


# INSTALLATION JØTUL F 620 P - OUTSIDE AIR BOTTOM

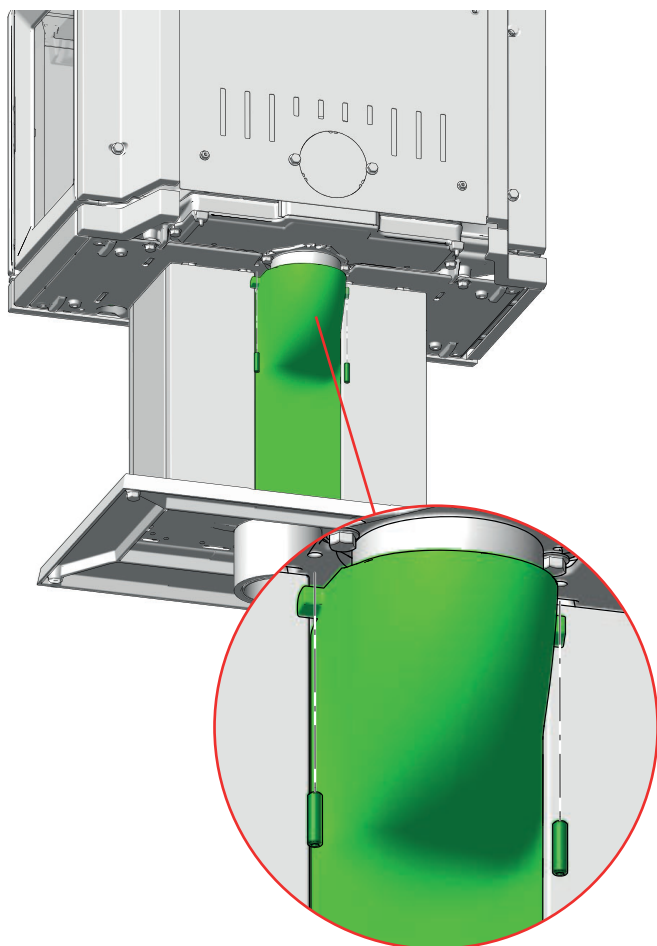


F 620  
Pedestal

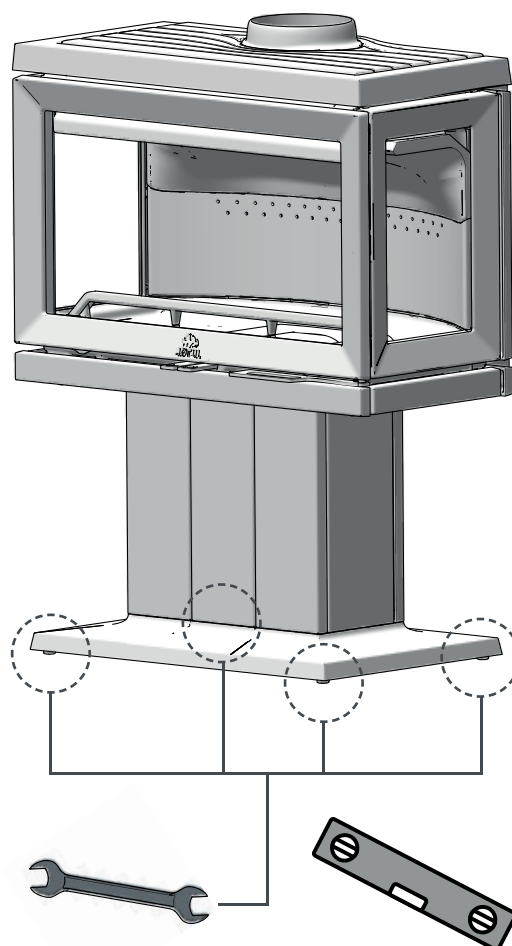
9



10



11



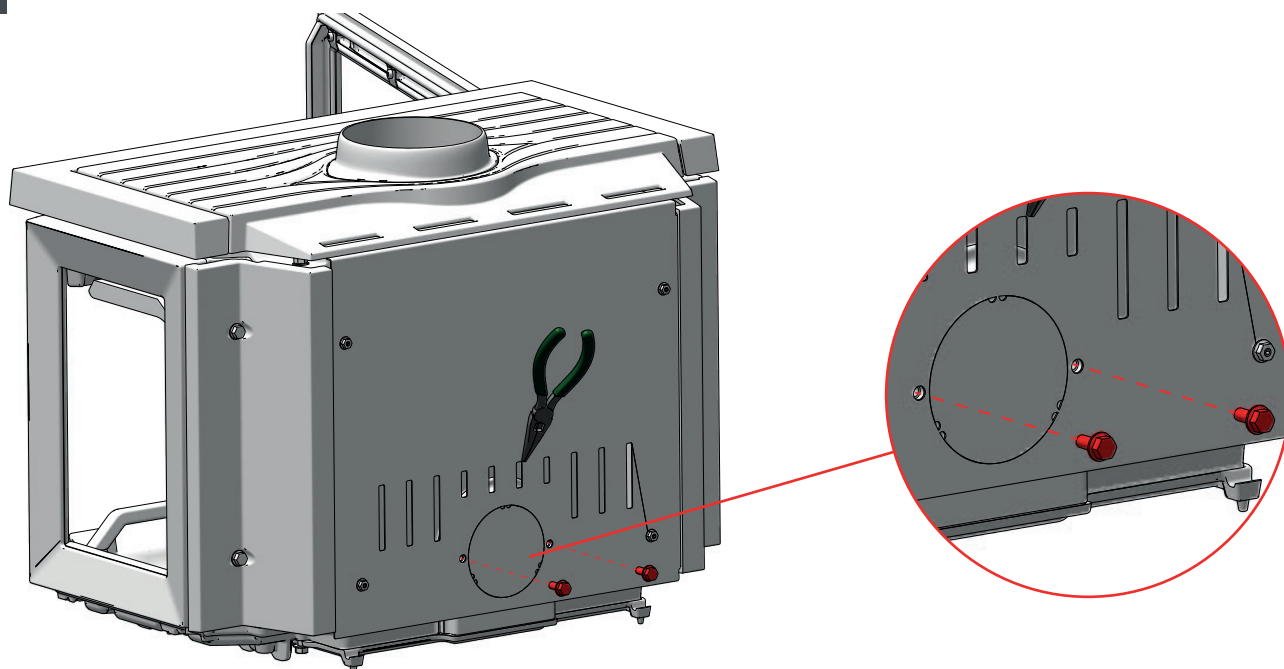


# INSTALLATION JØTUL F 620 P - OUTSIDE AIR REAR

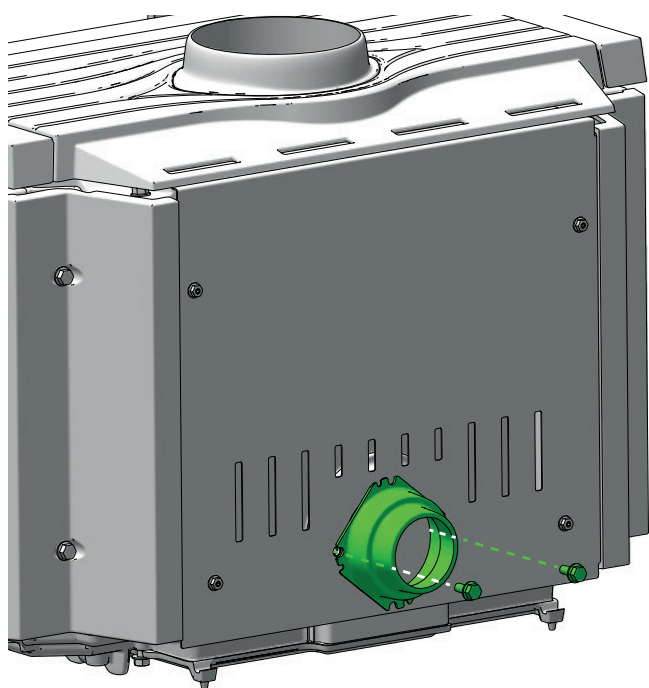


F 620  
Pedestal

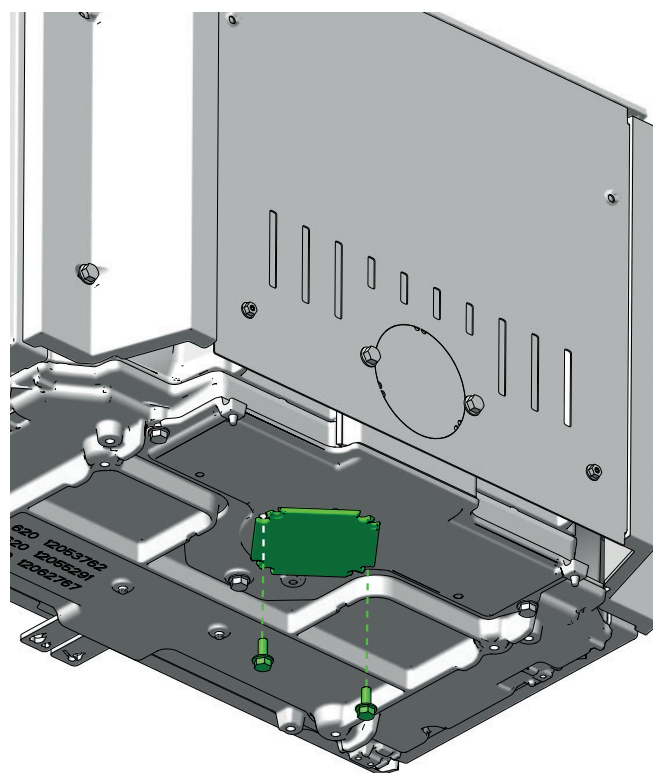
1



2



3



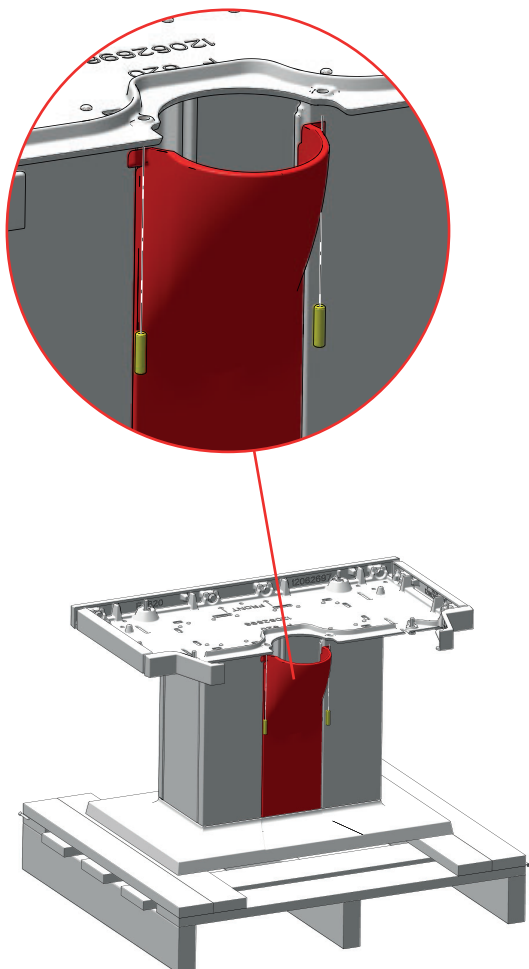


# INSTALLATION JØTUL F 620 P - OUTSIDE AIR REAR

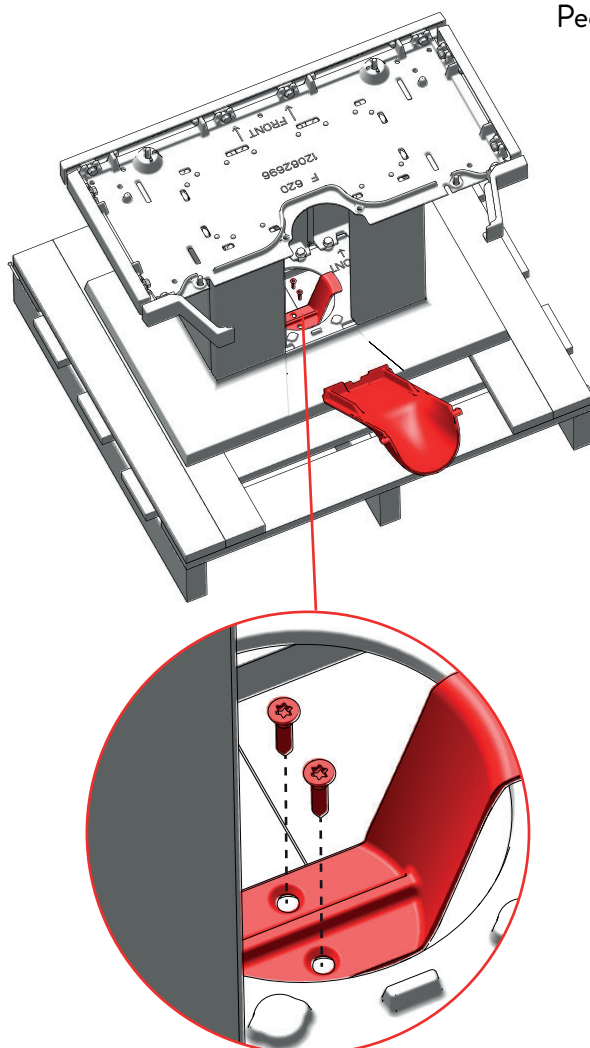


F 620  
Pedestal

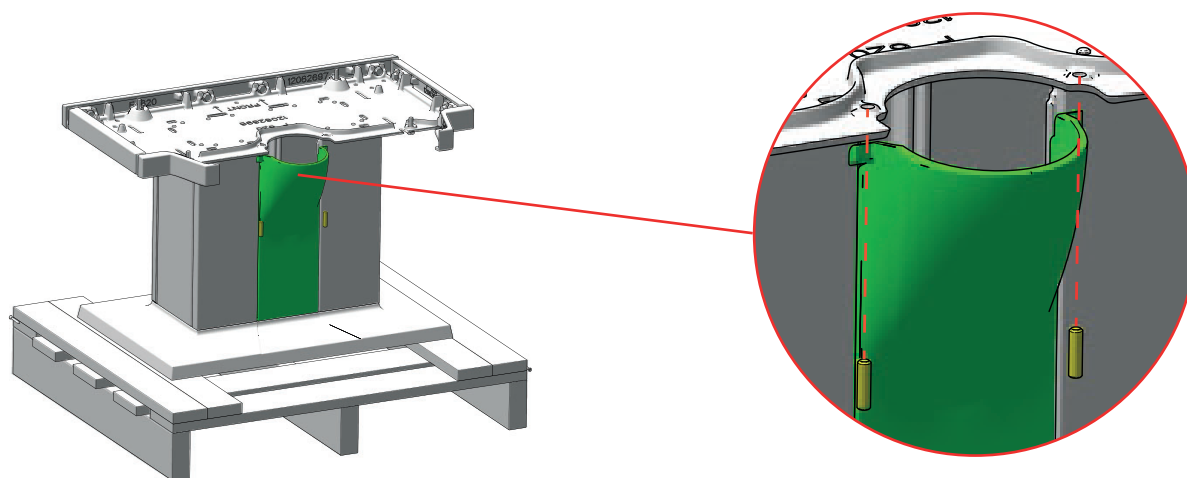
4



5



6



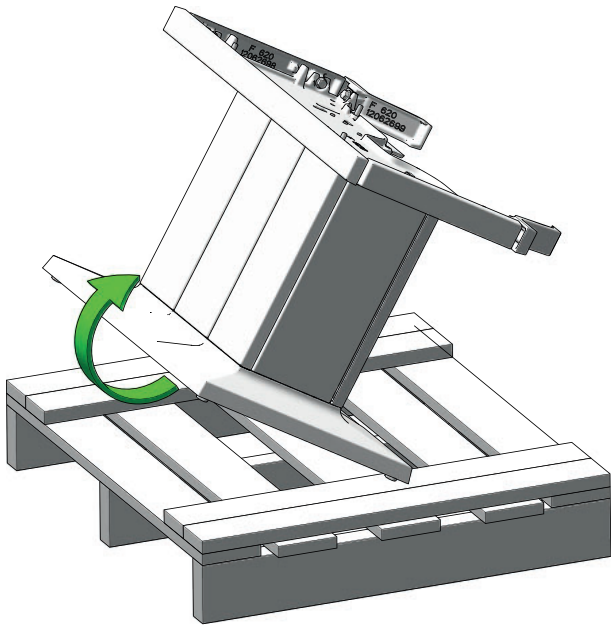


# INSTALLATION JØTUL F 620 P - OUTSIDE AIR REAR

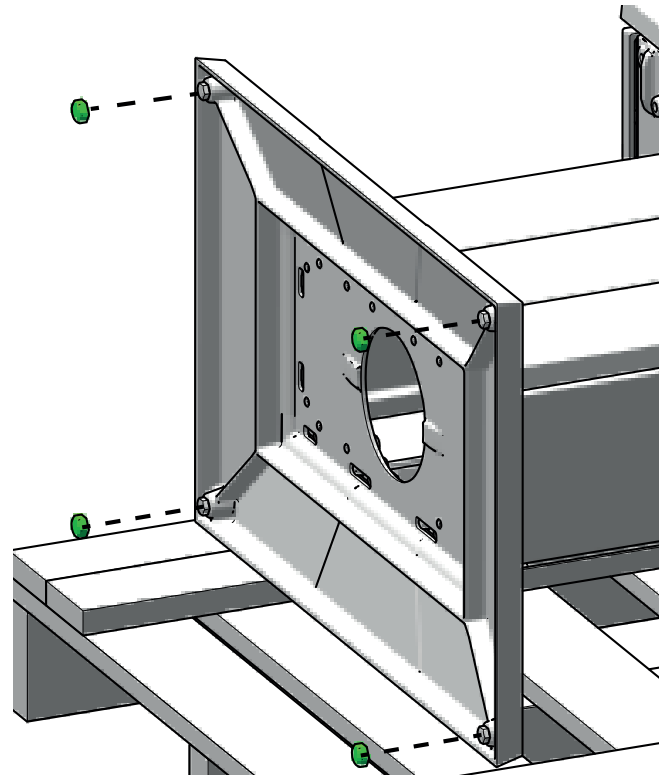


F 620  
Pedestal

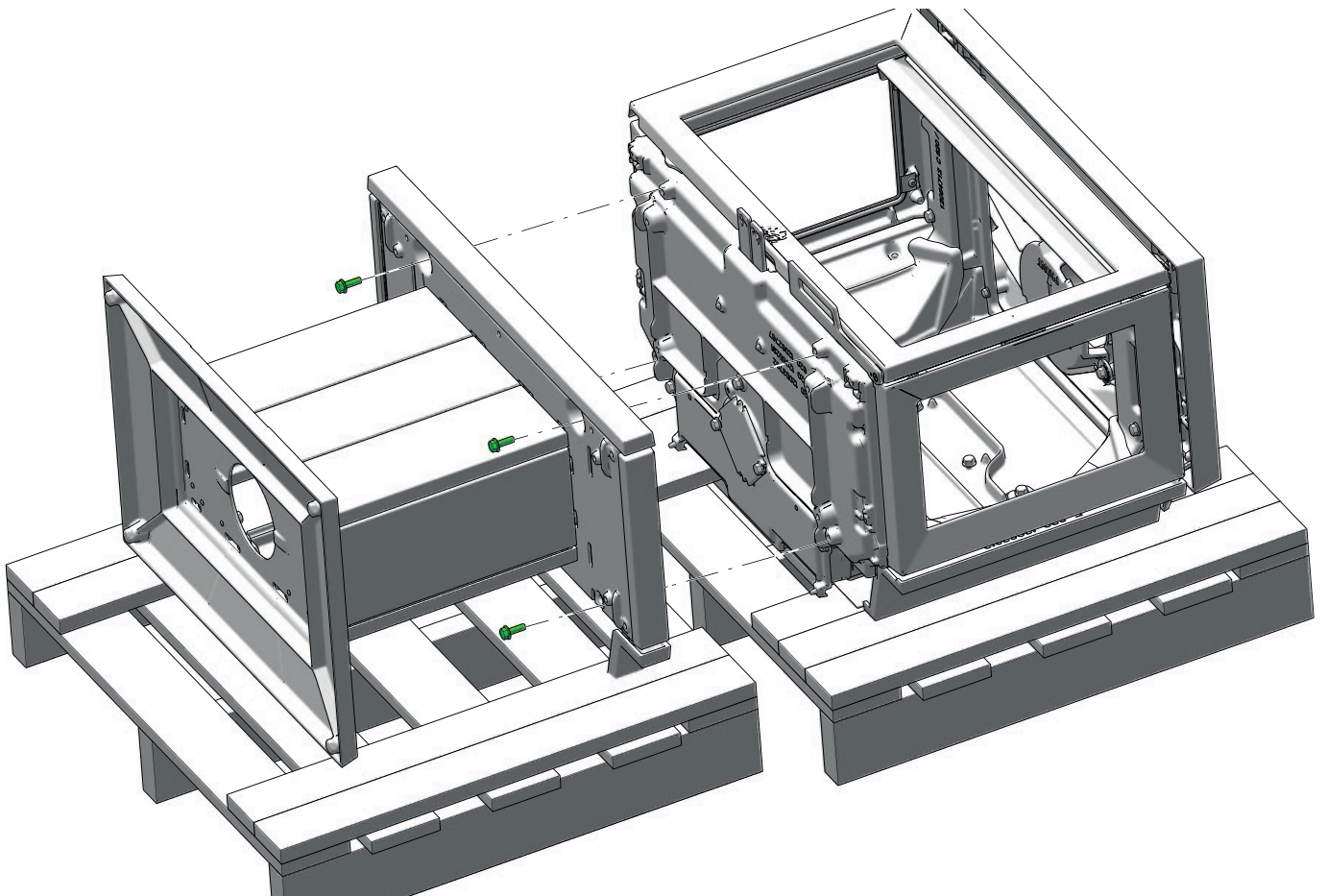
7

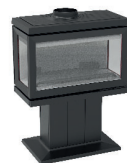


8



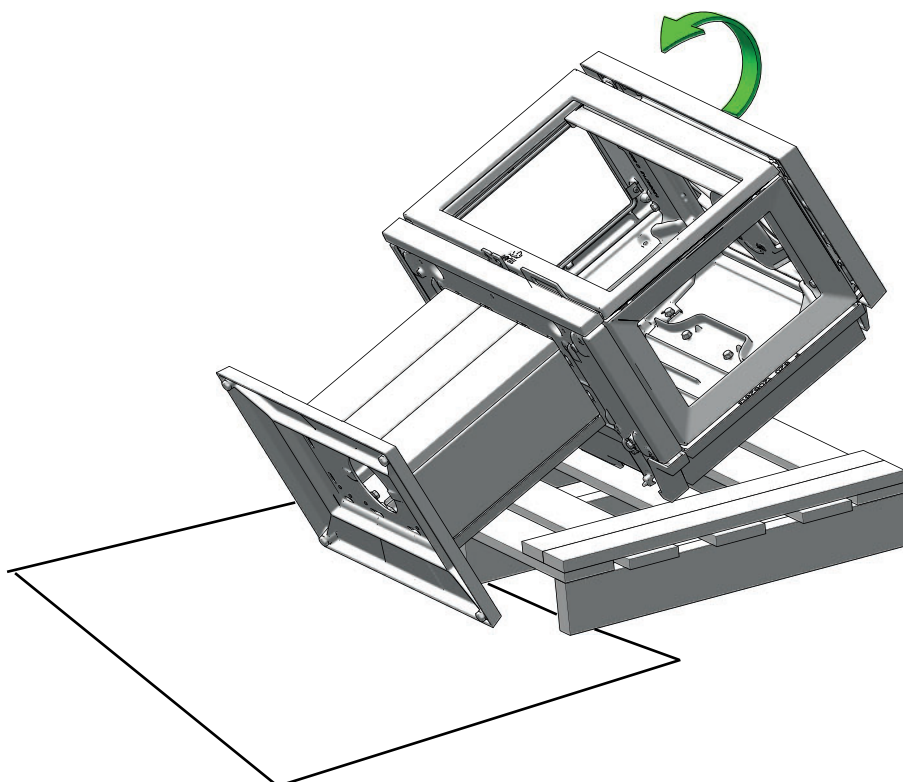
9



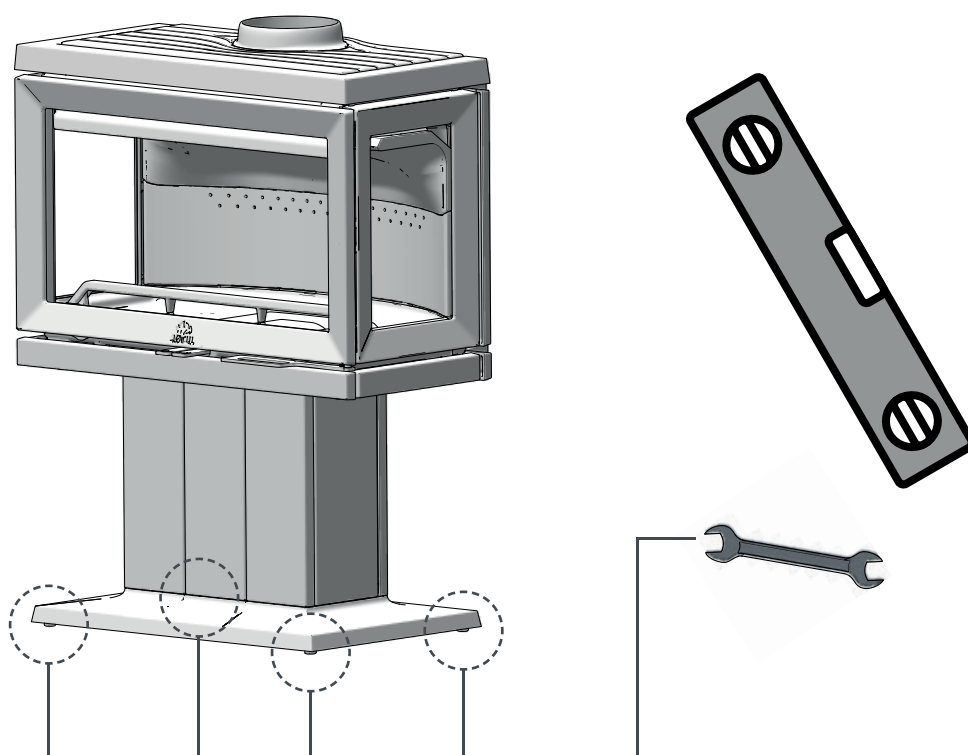


F 620  
Pedestal

10



11



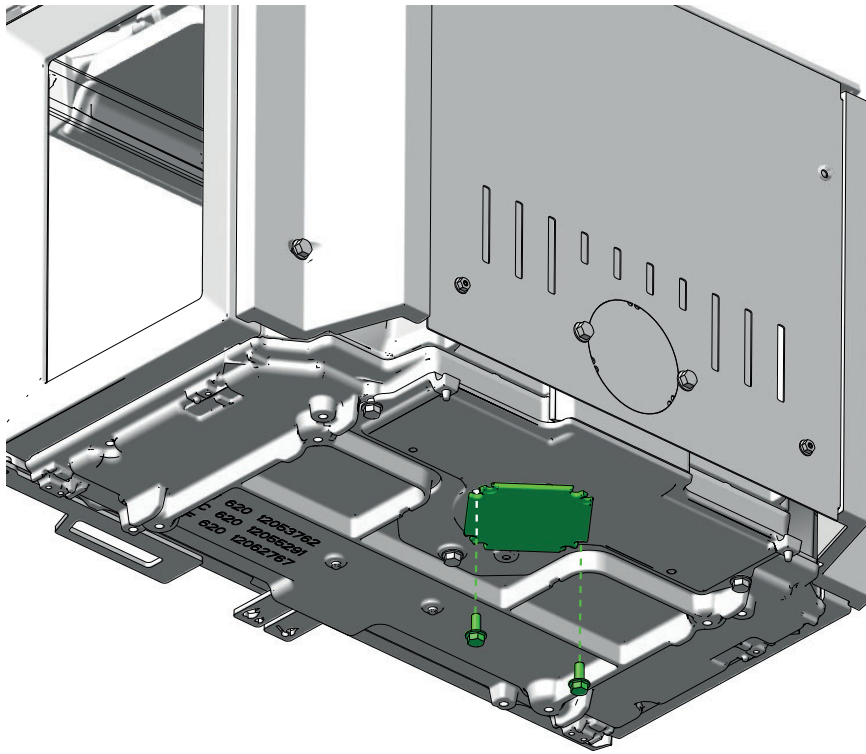


# INSTALLATION JØTUL F 620 LB - WITHOUT OUTSIDE AIR CONNECTION

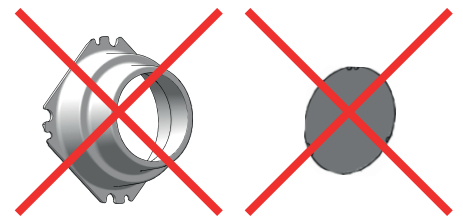
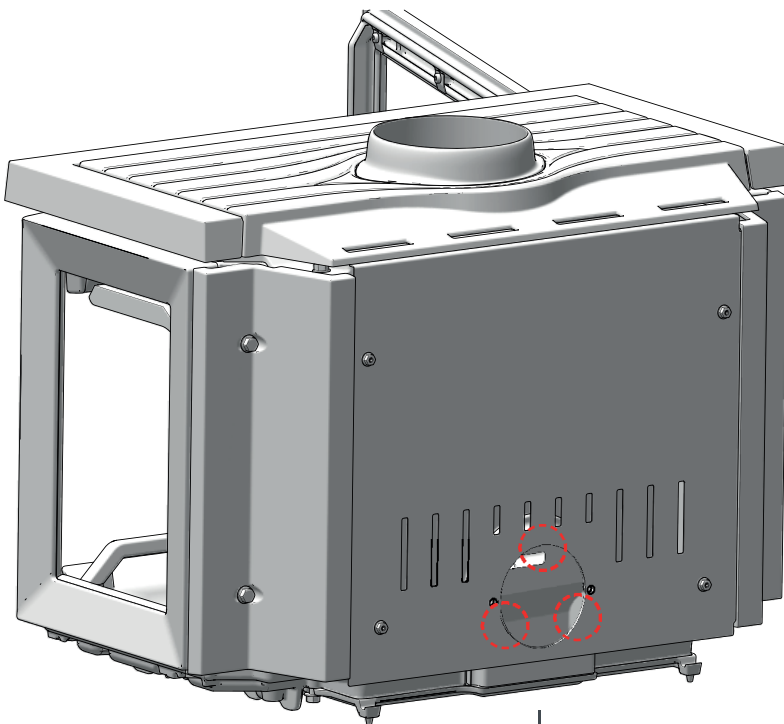


F 620  
Low Base

1



2





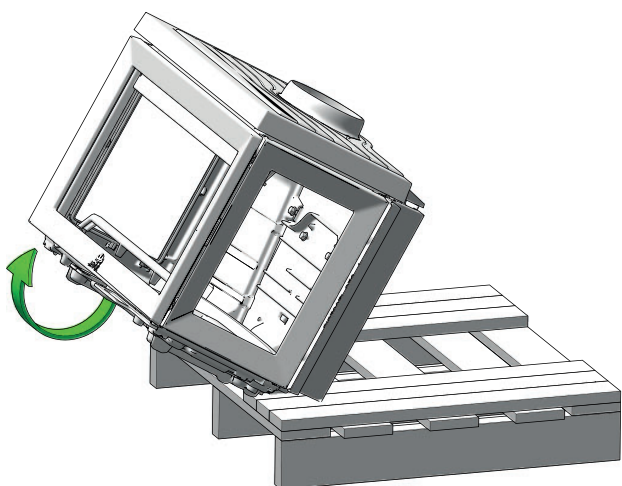


# INSTALLATION JØTUL F 620 LB - OUTSIDE AIR BOTTOM

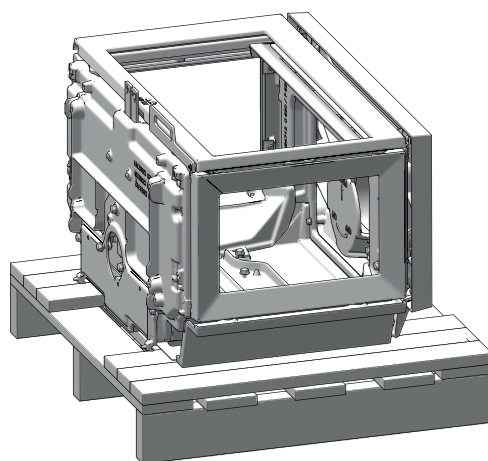


F 620  
Low Base

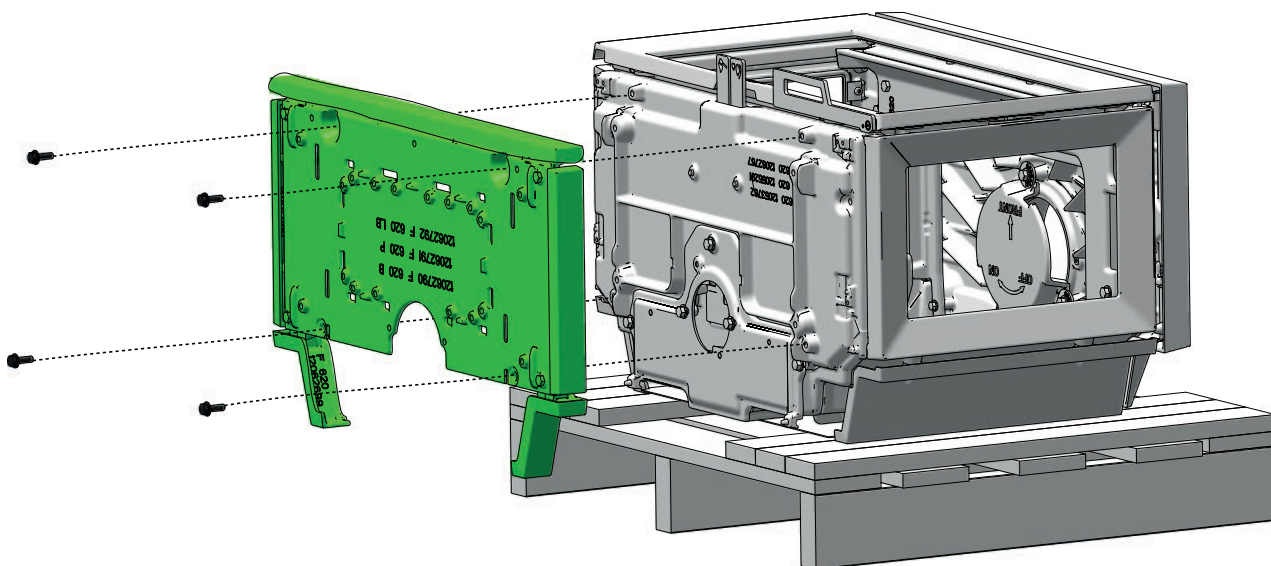
1



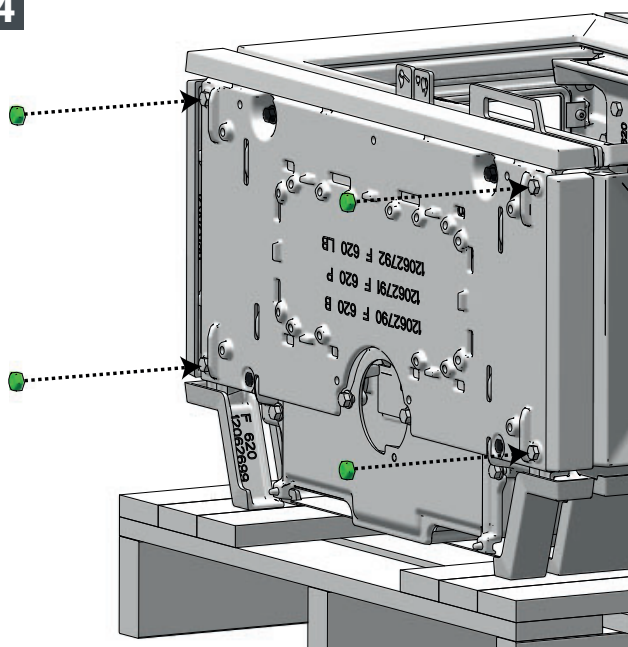
2



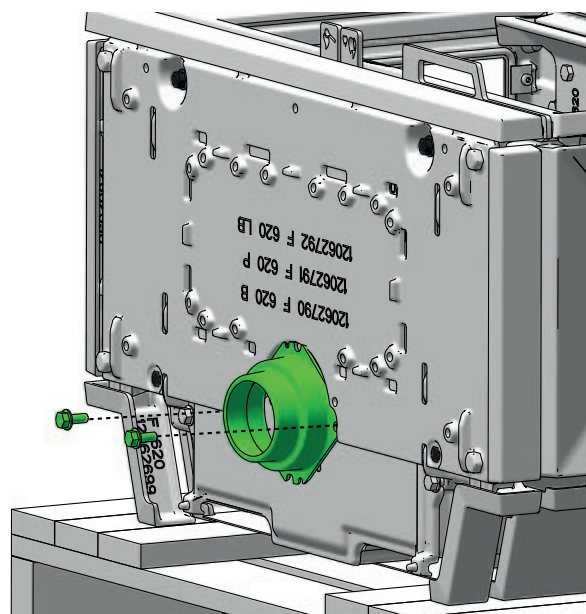
3



4

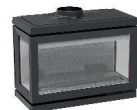


5



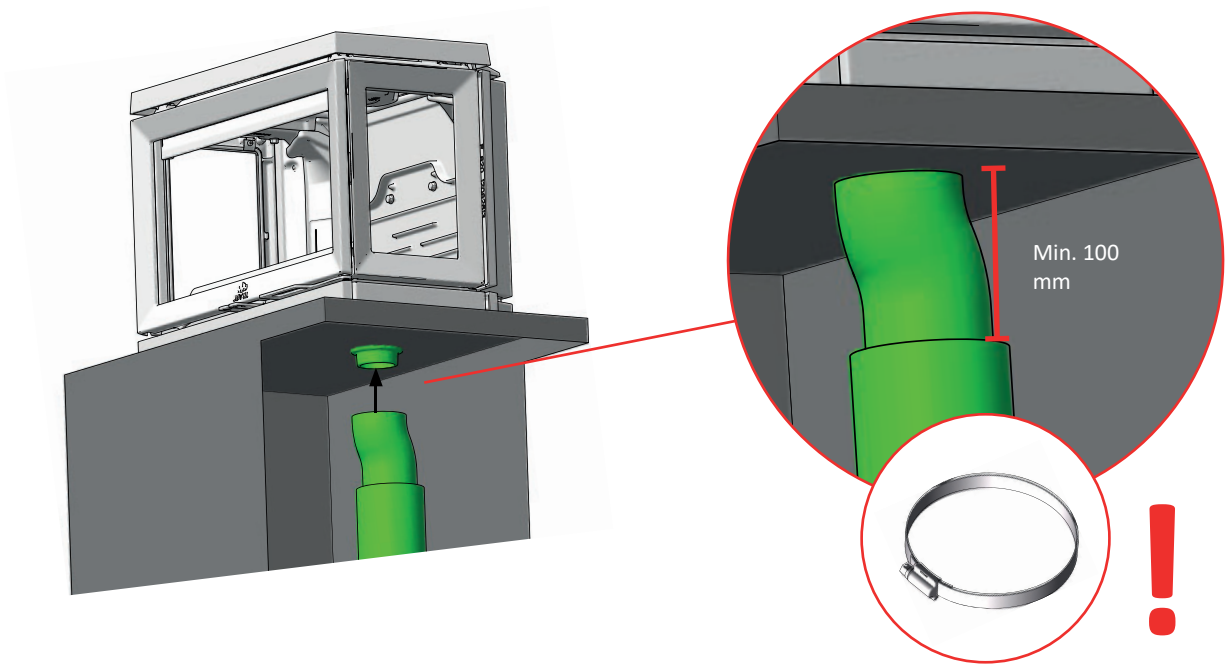


# INSTALLATION JØTUL F 620 LB - OUTSIDE AIR BOTTOM



F 620  
Low Base

6



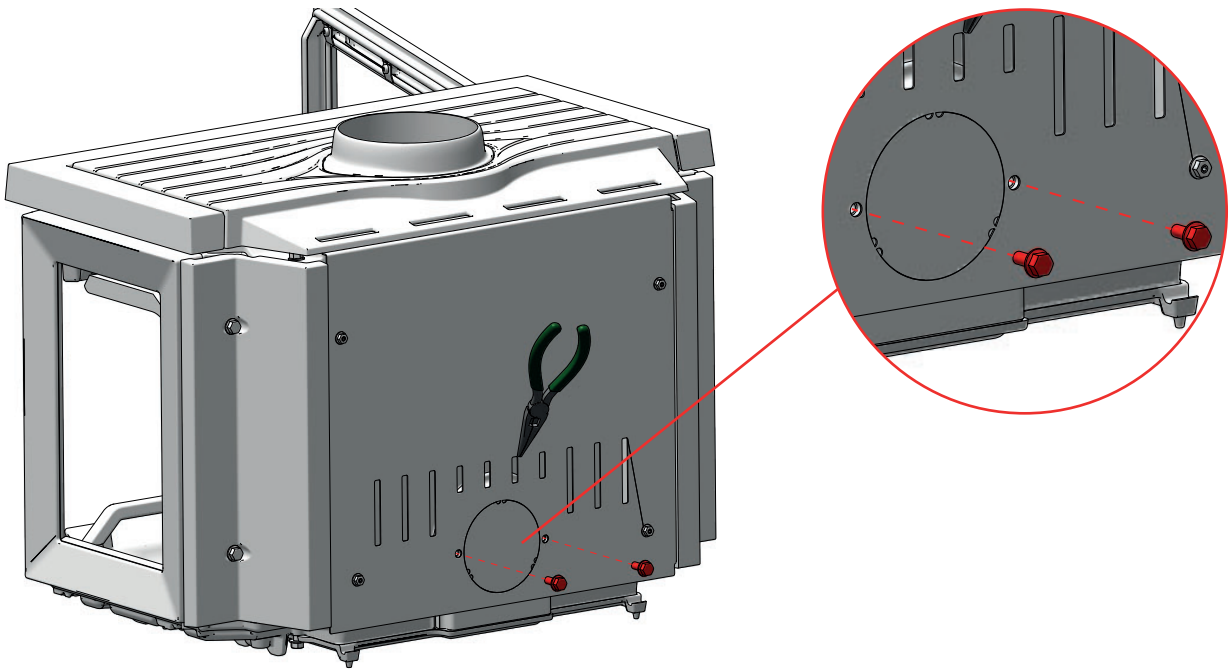


# INSTALLATION JØTUL F 620 LB - OUTSIDE AIR REAR

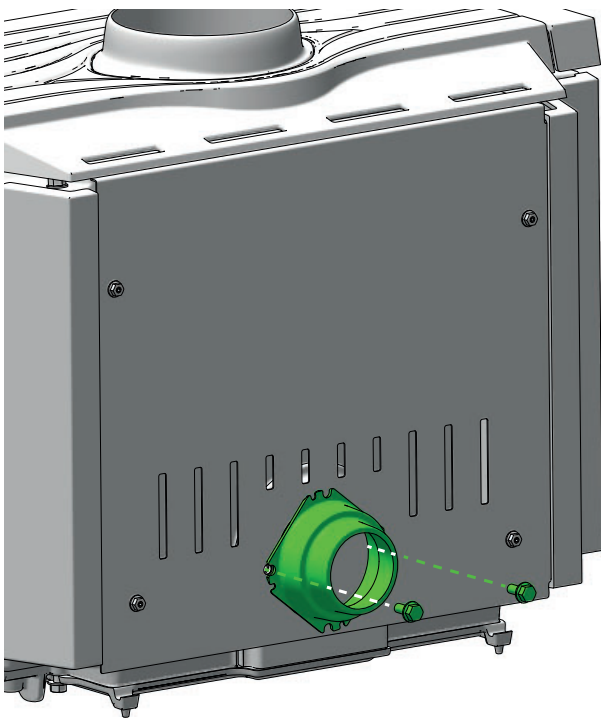


F 620  
Low Base

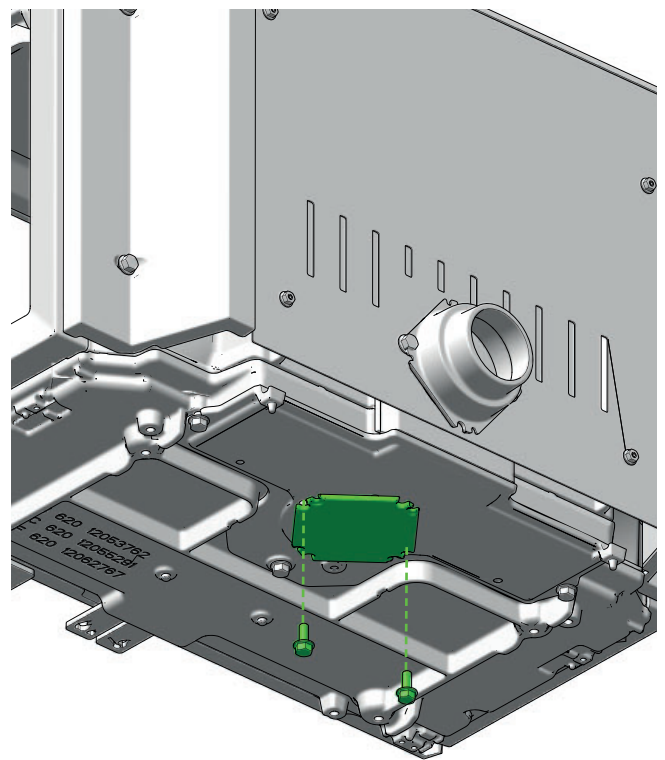
1



2



3



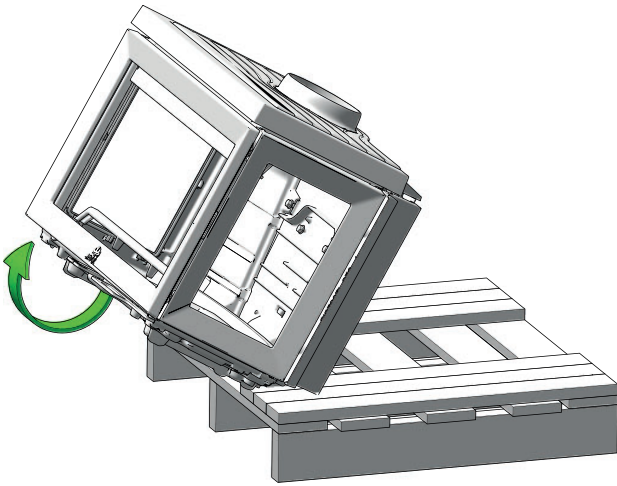


# INSTALLATION JØTUL F 620 LB - OUTSIDE AIR REAR

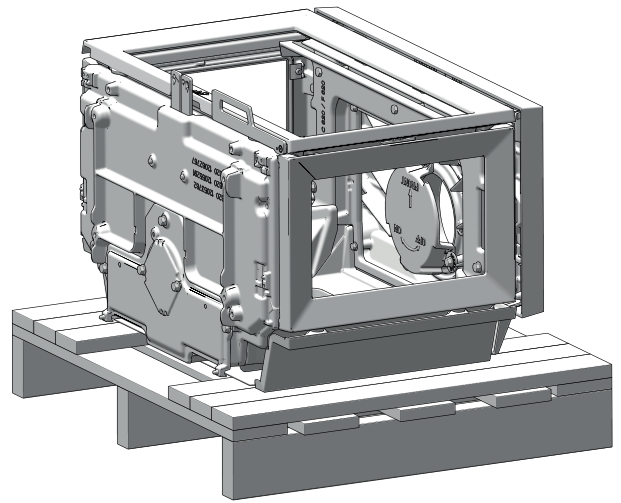


F 620  
Low Base

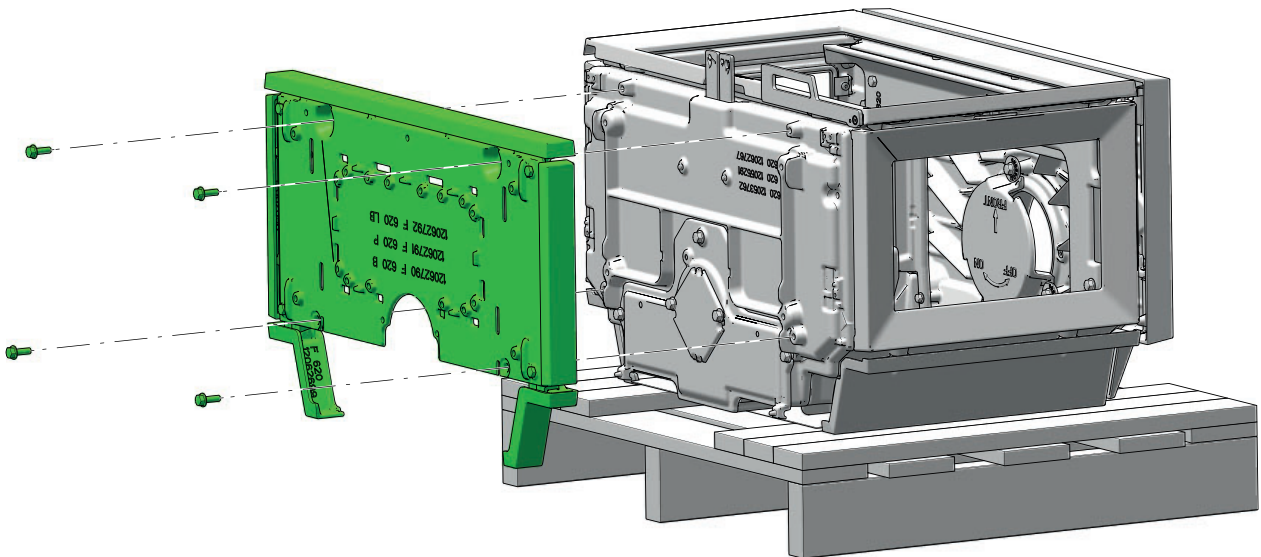
4



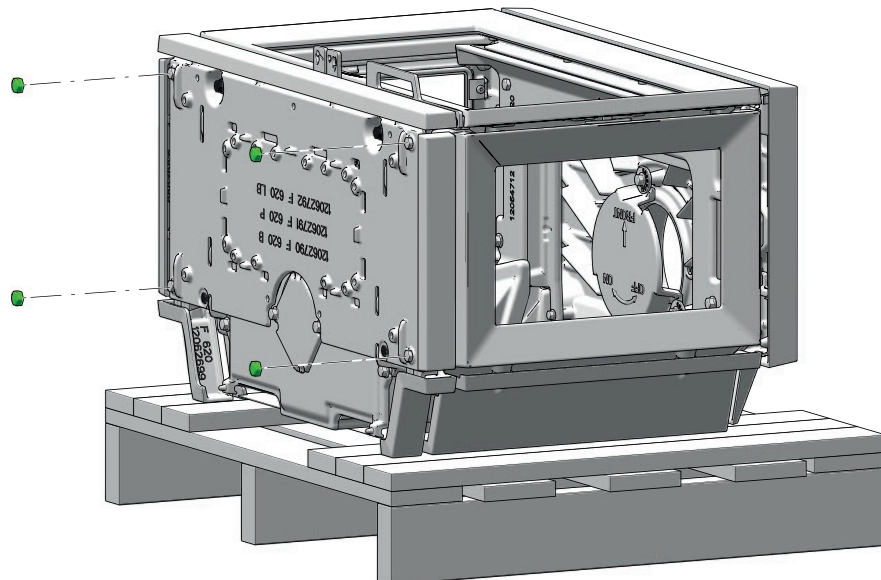
5



6

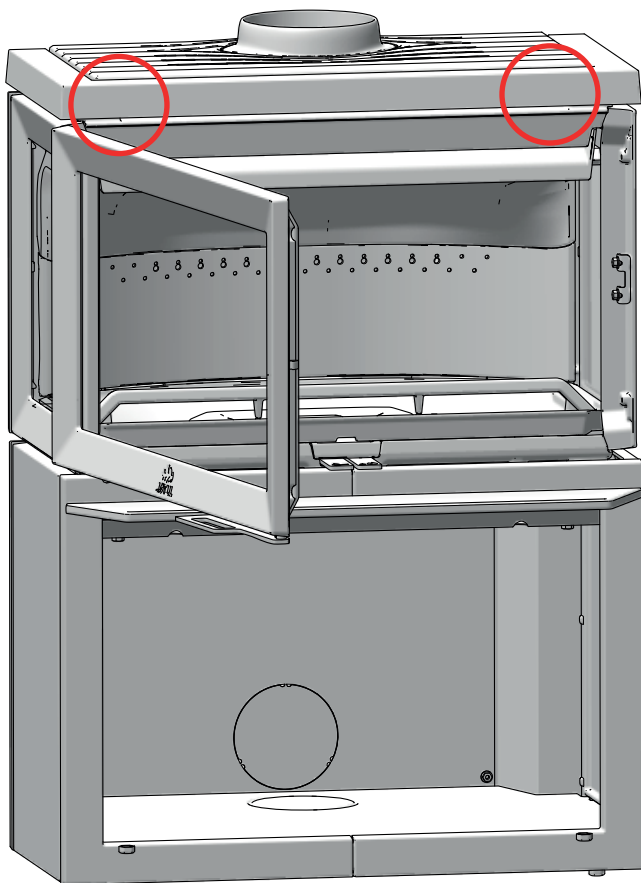


7

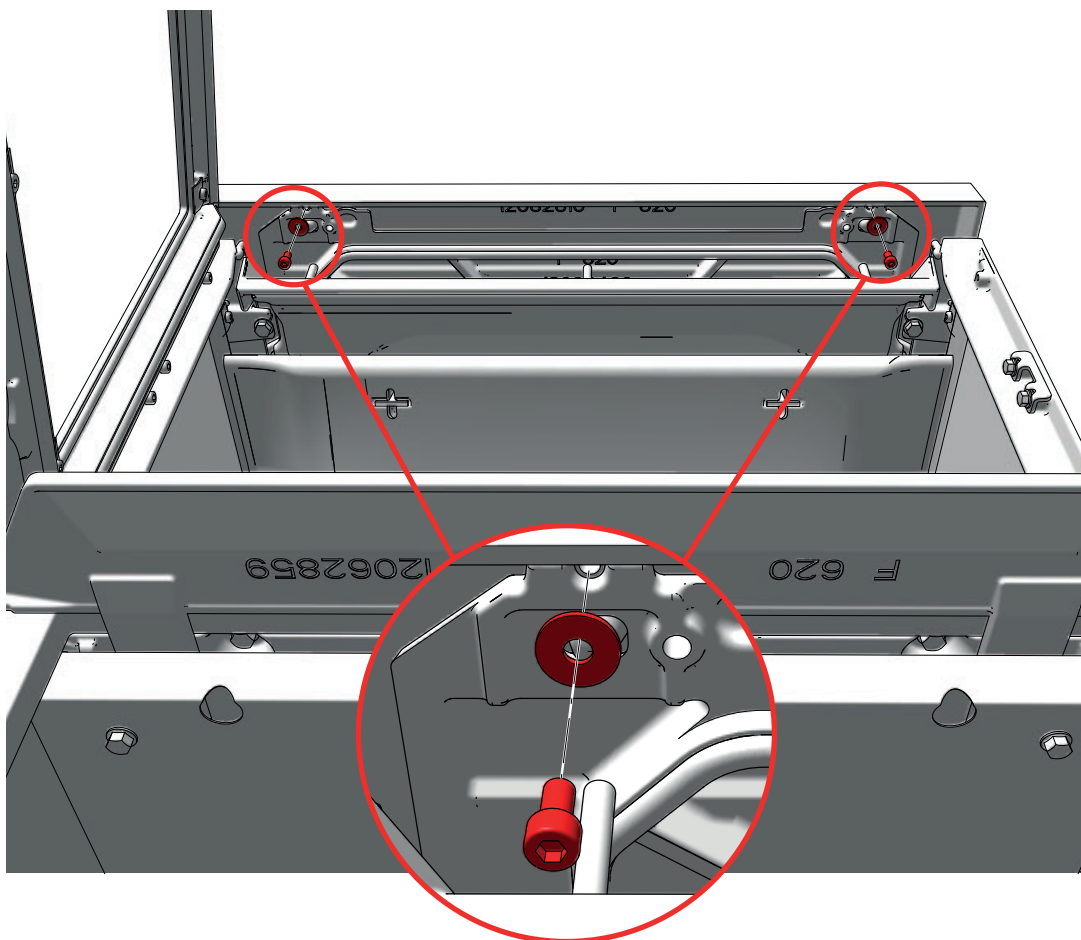


# ASSEMBLY JØTUL F 620 B HT

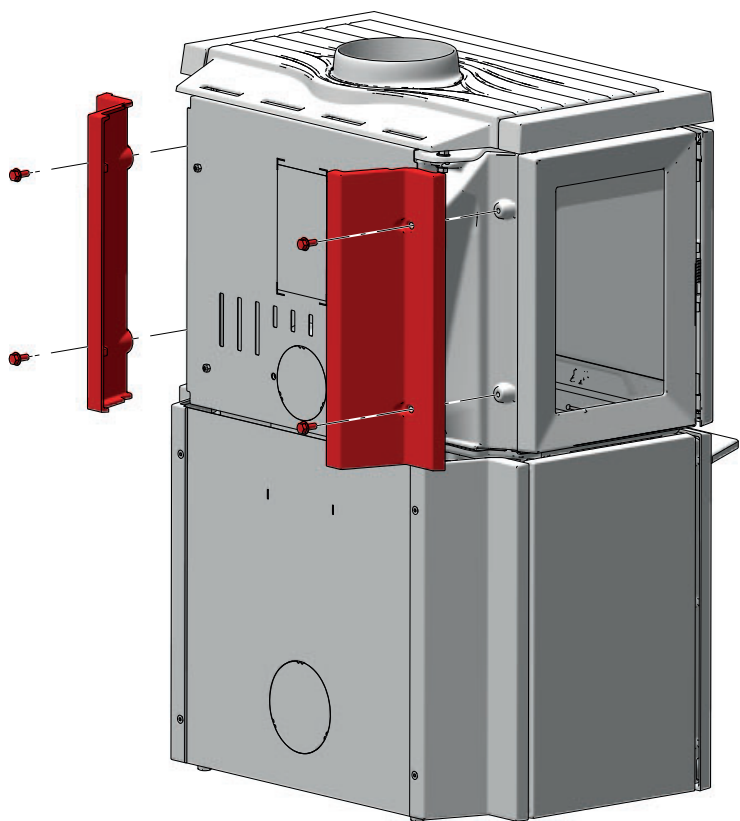
1



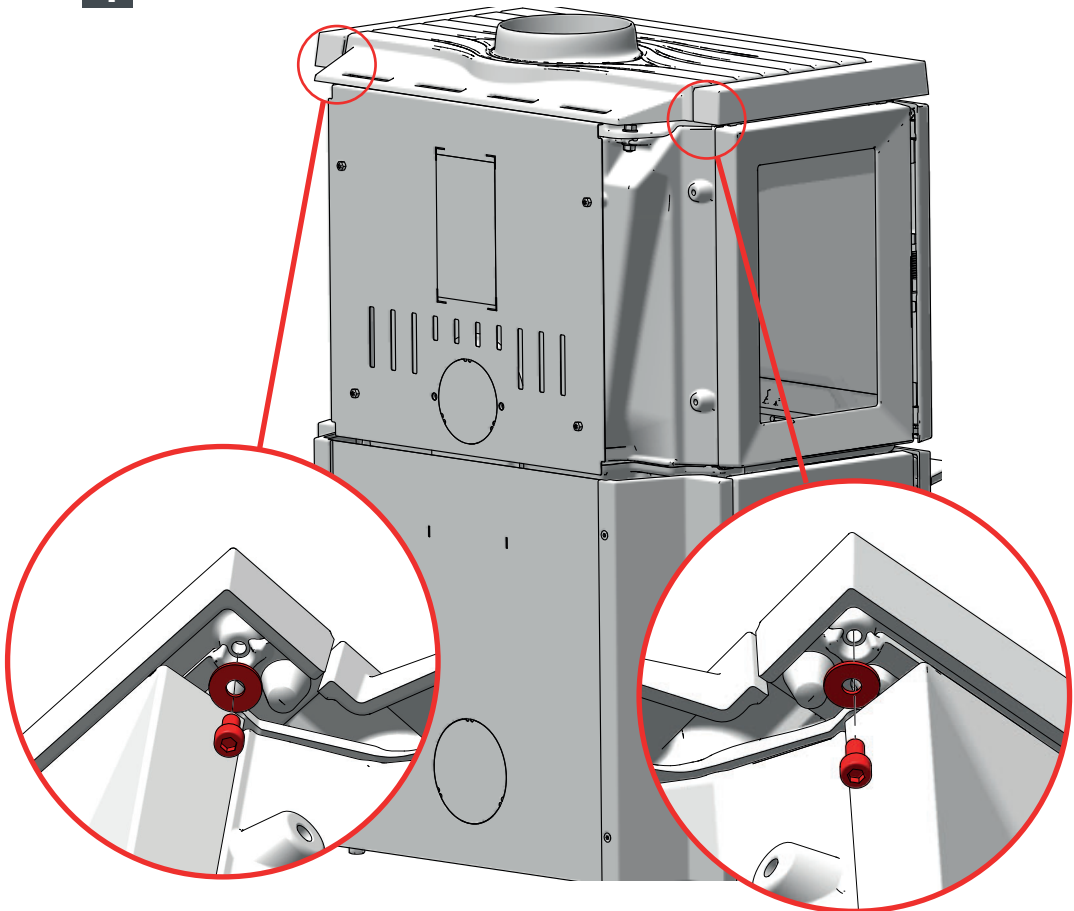
2



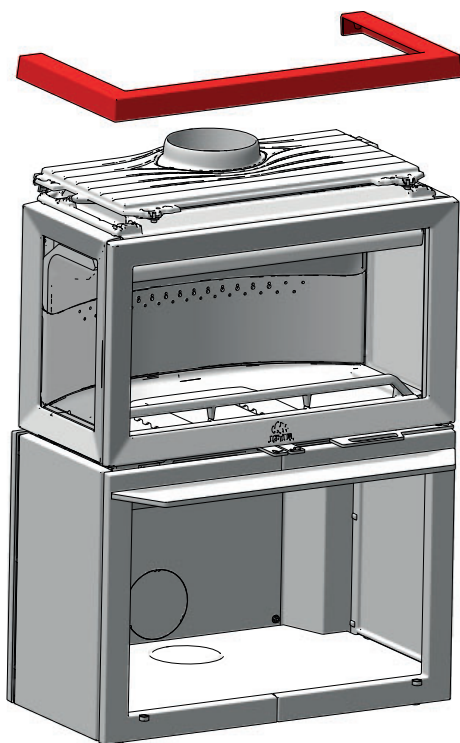
3



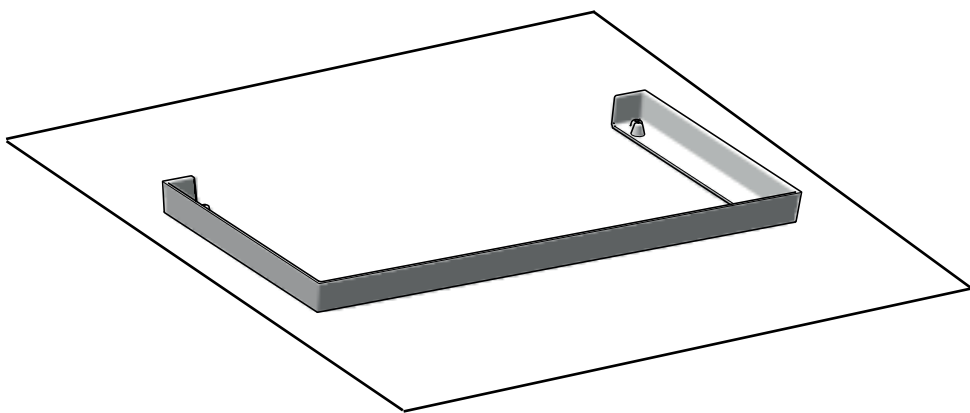
4



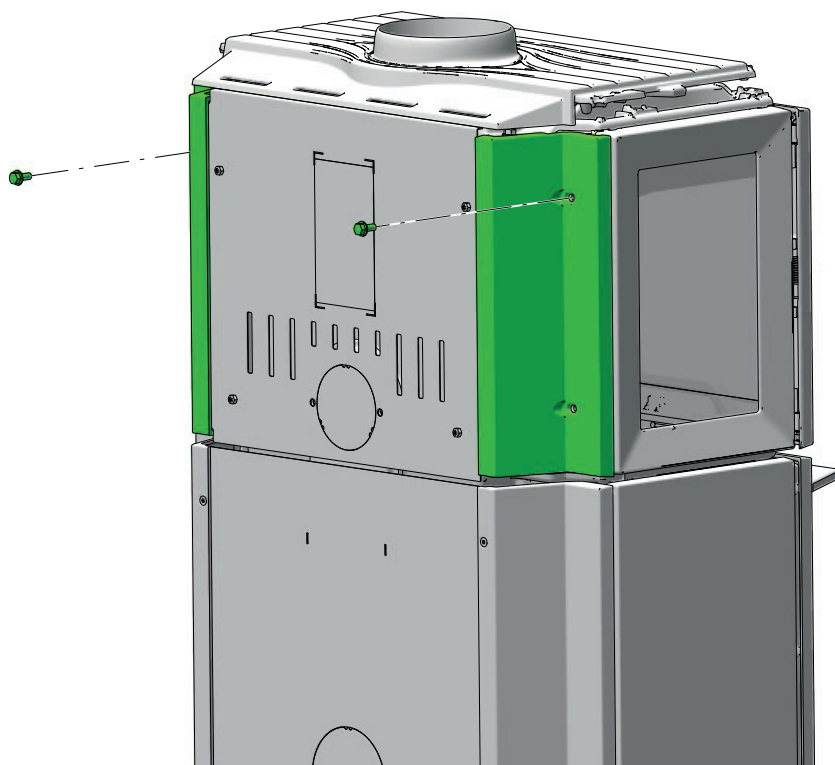
5



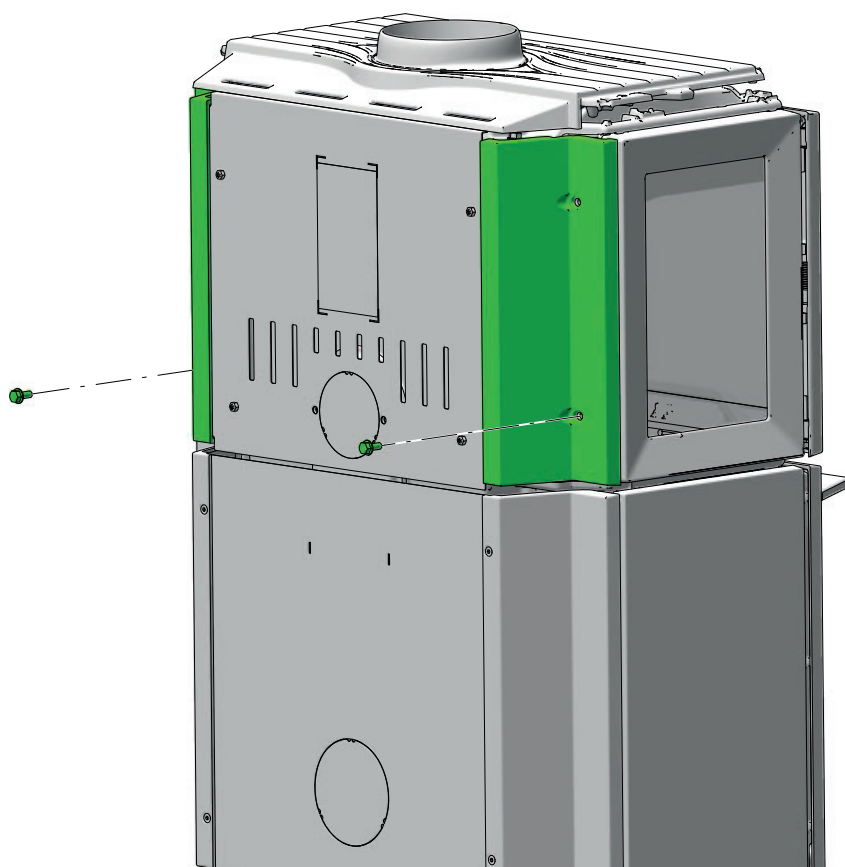
6



7

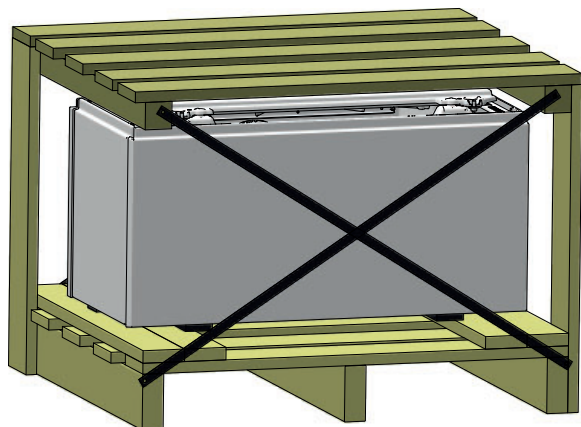


8

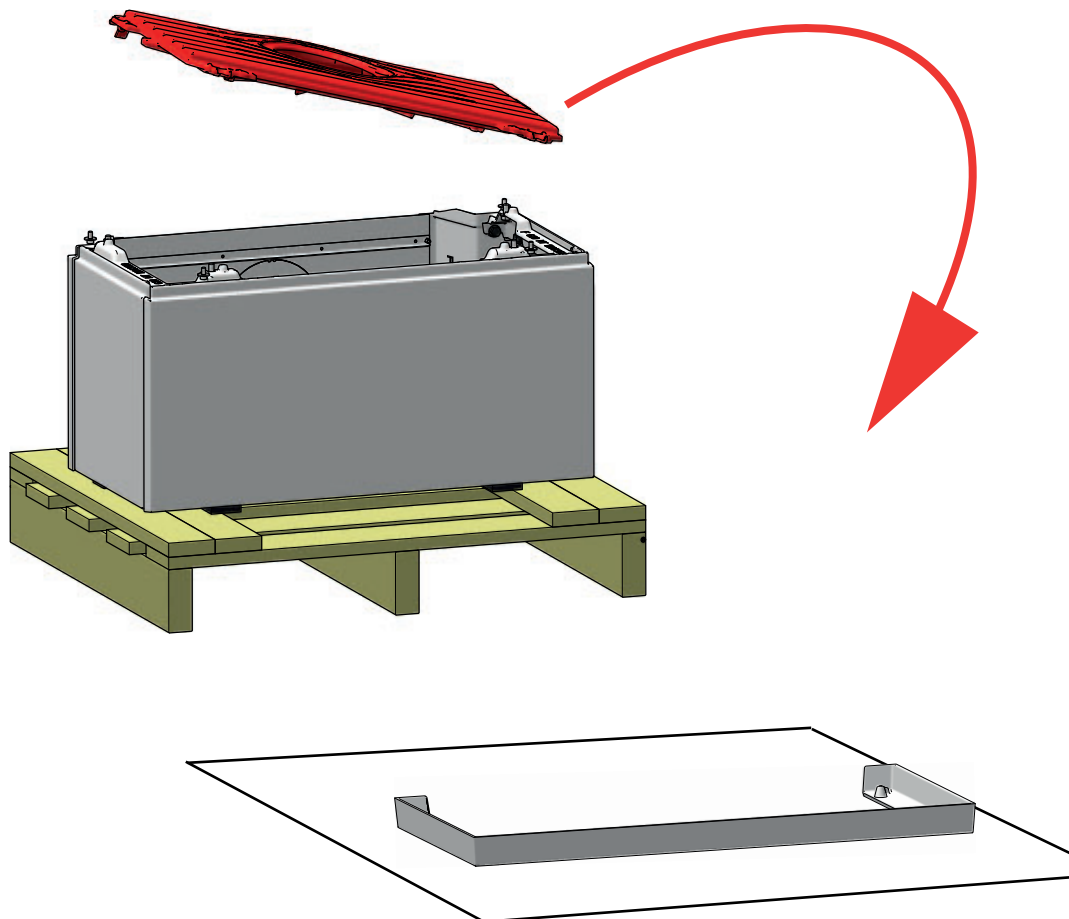




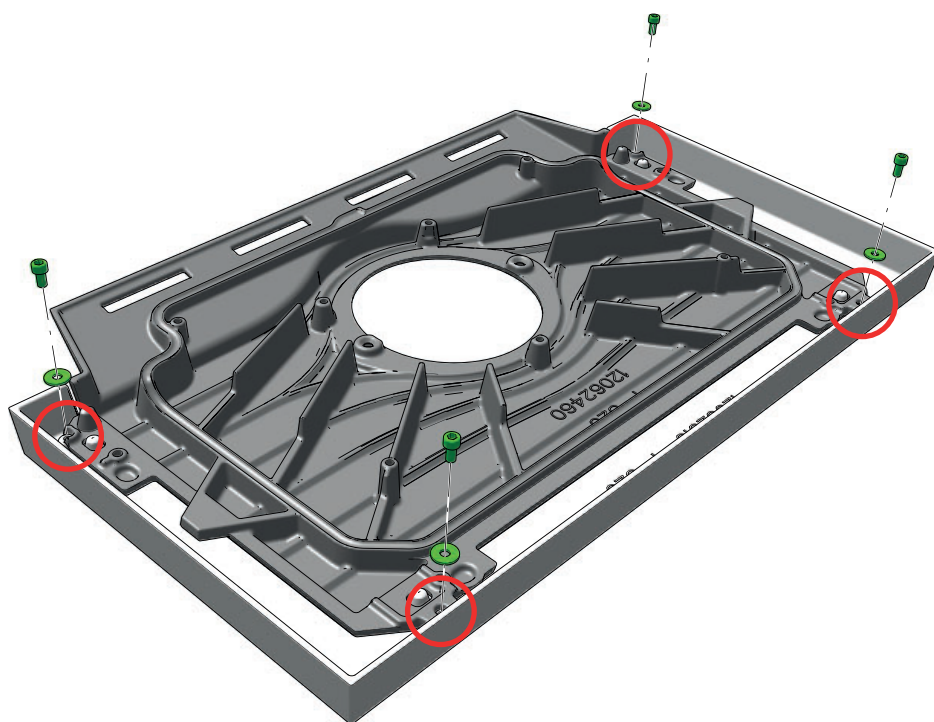
9



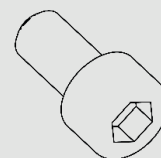
10



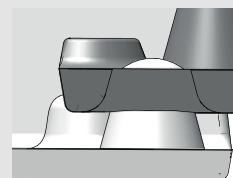
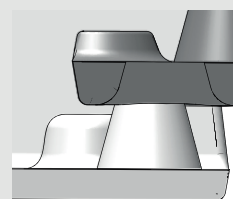
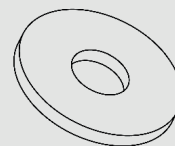
11



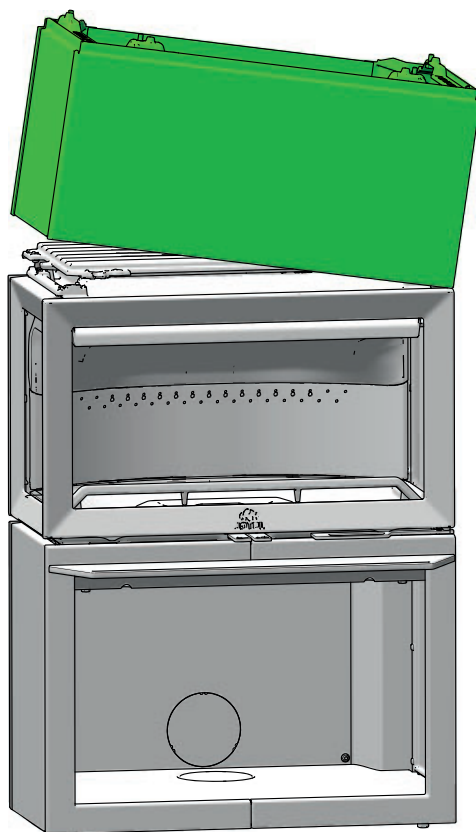
4 x



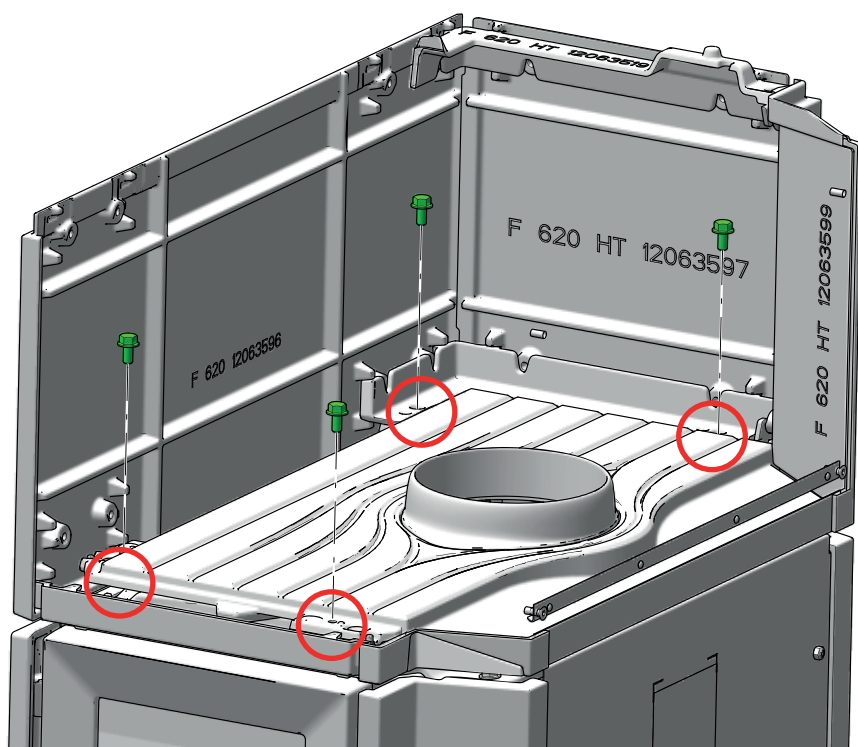
4 x



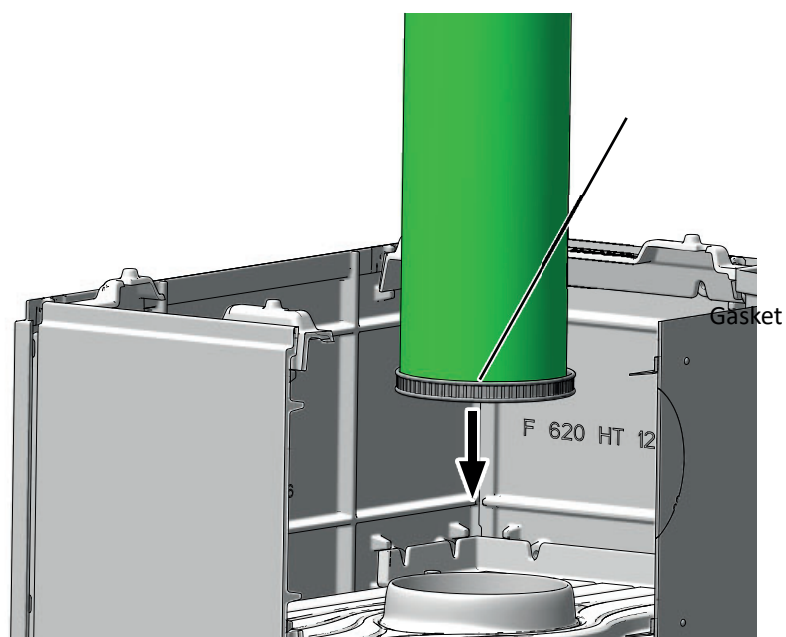
12



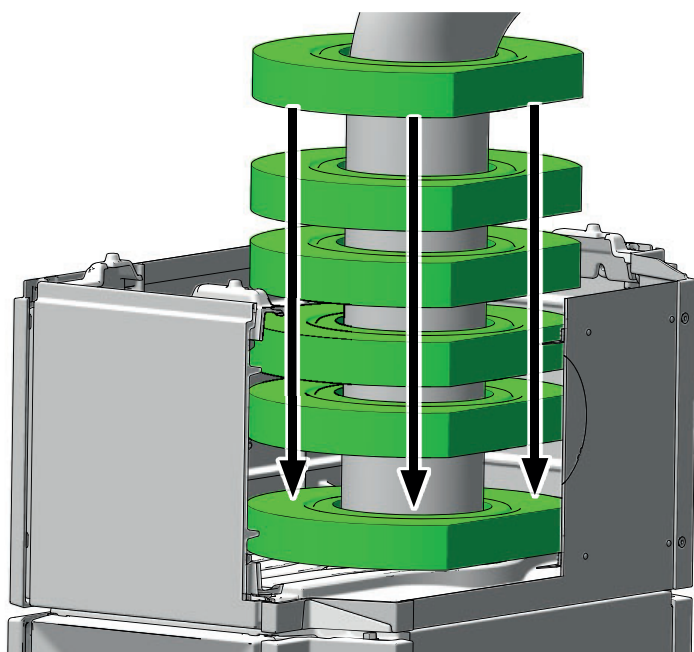
13



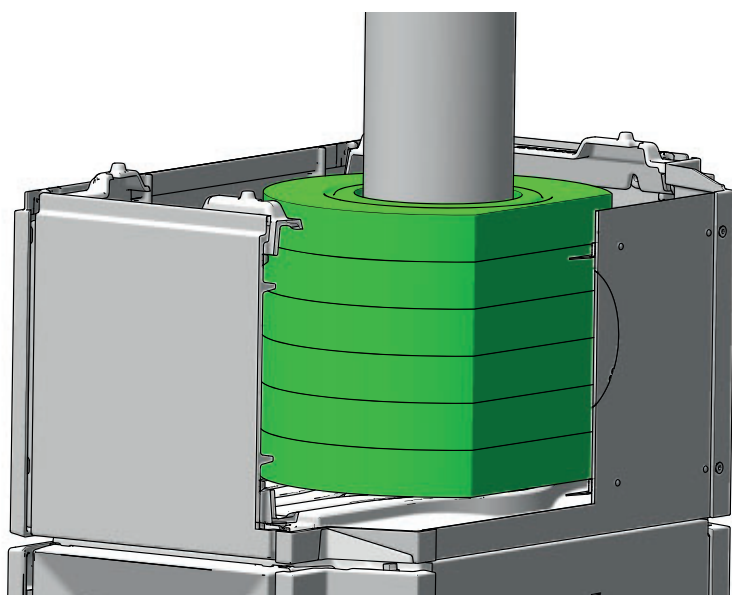
14



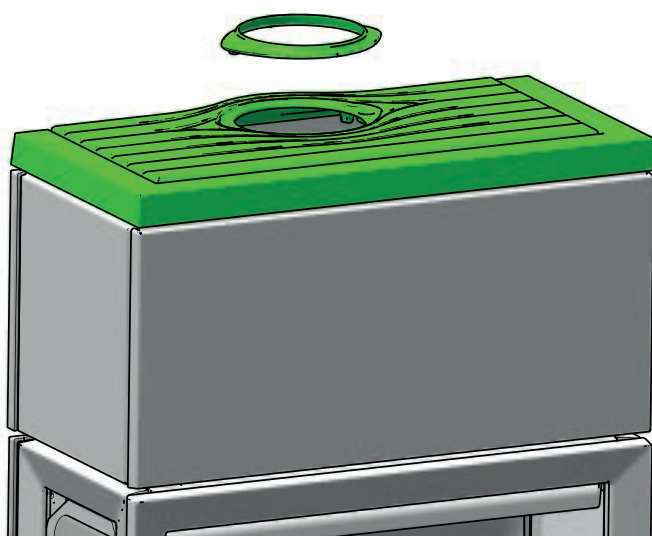
15



16



17

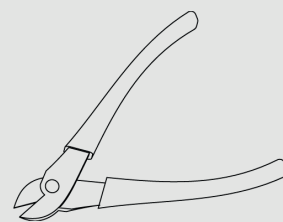
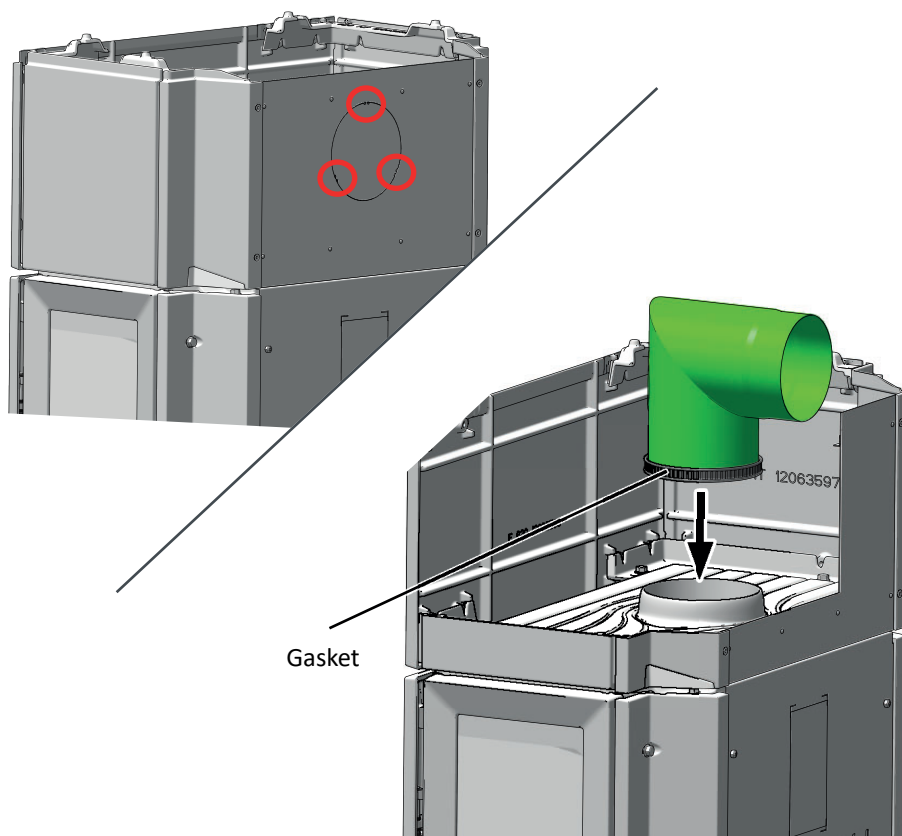


**Heat-storing mass  
(optional equipment)**

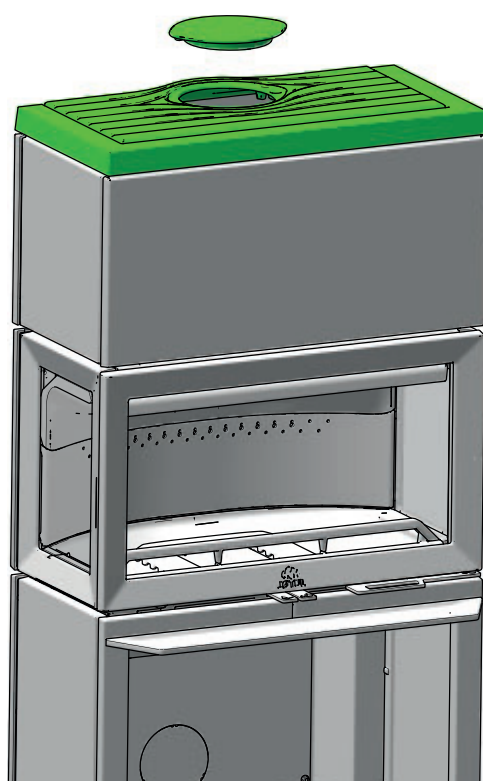
NOTE: Only for top outlet  
(Cat. 10026701)

# ASSEMBLY JØTUL F 620 B HT - REAR OUTLET

1

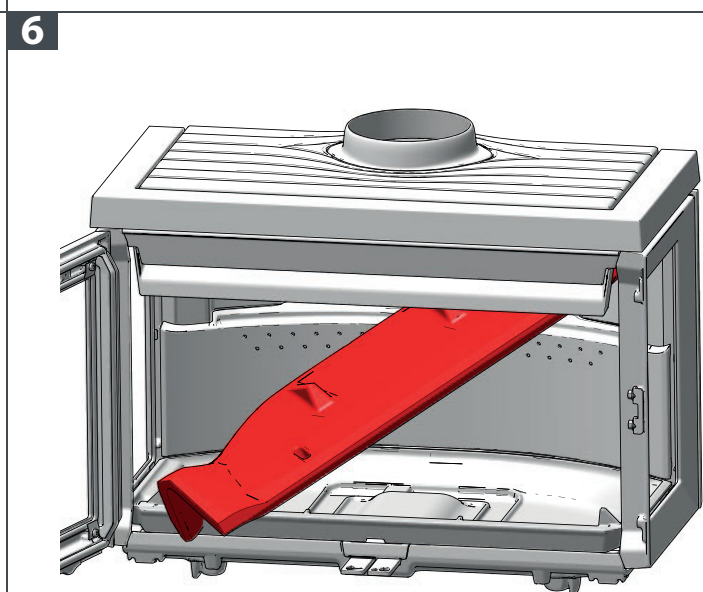
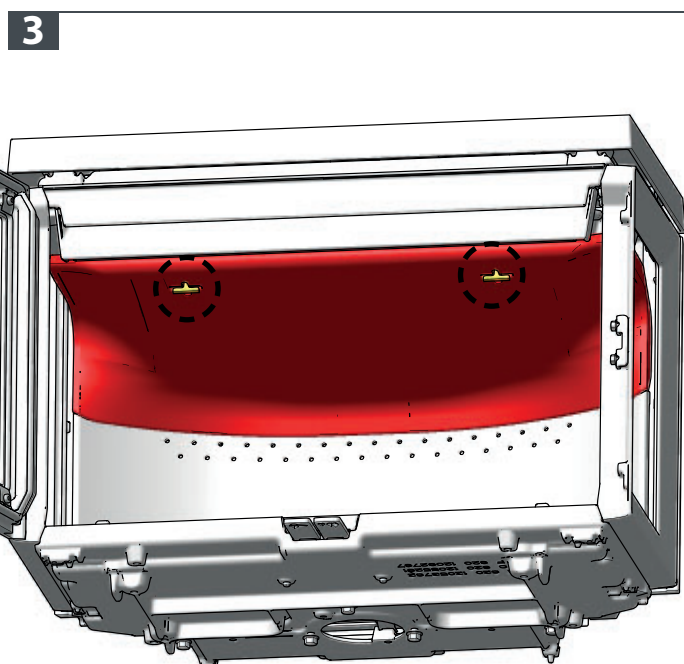
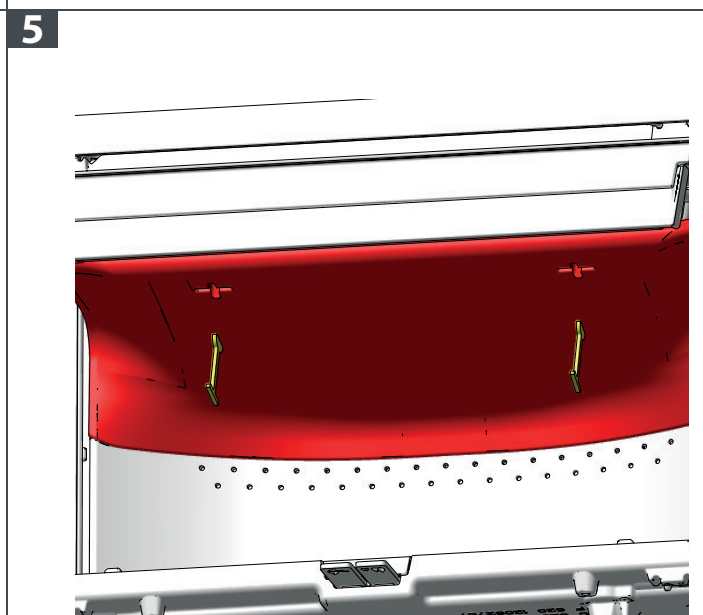
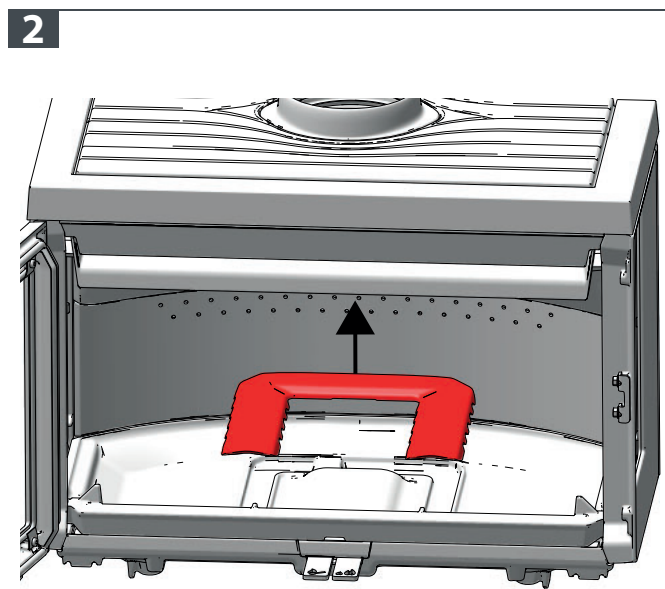
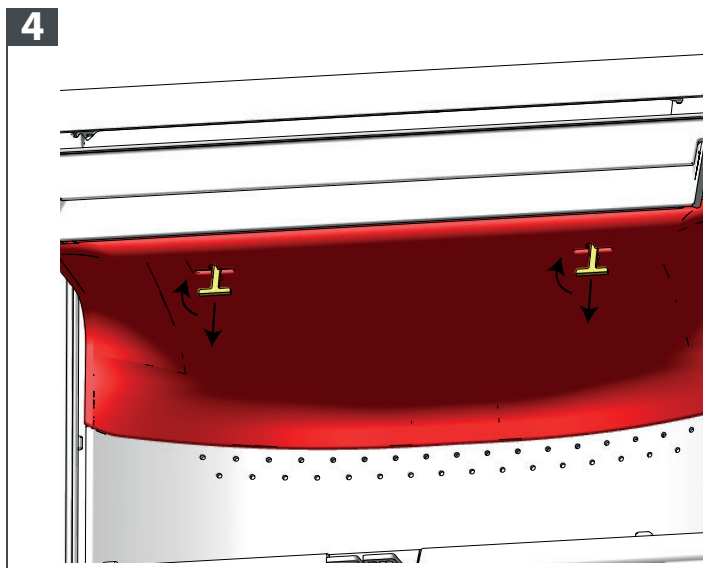
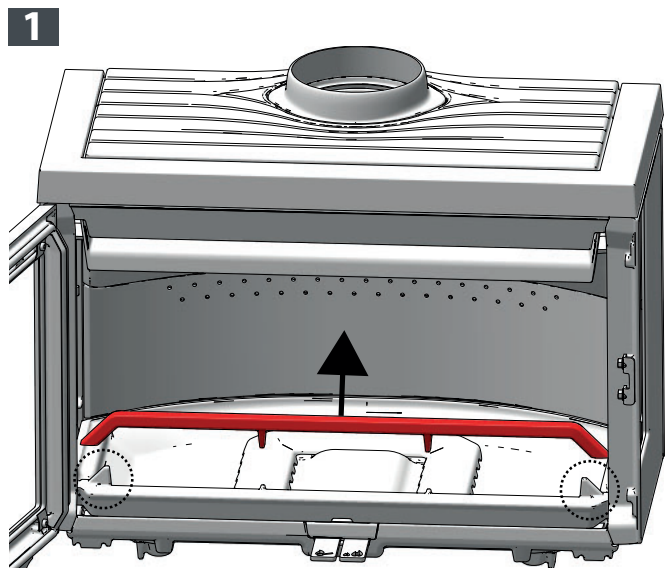


2





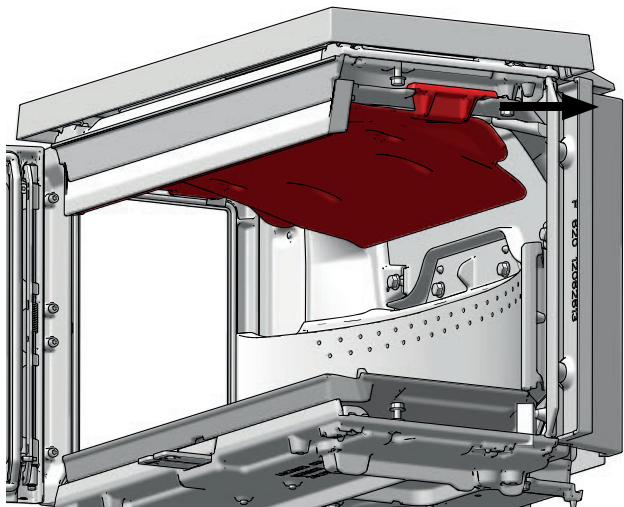
## DISMANTLING INTERNAL PARTS



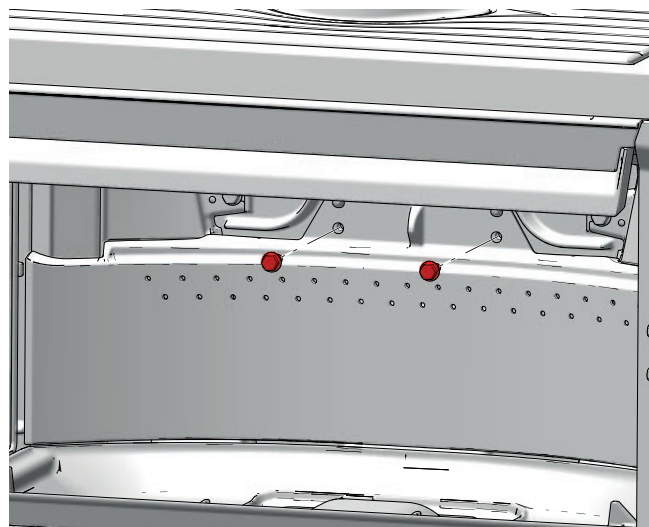


## DISMANTLING INTERNAL PARTS

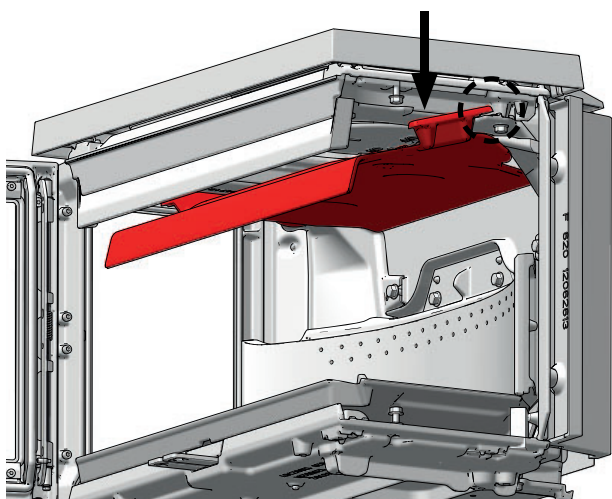
7



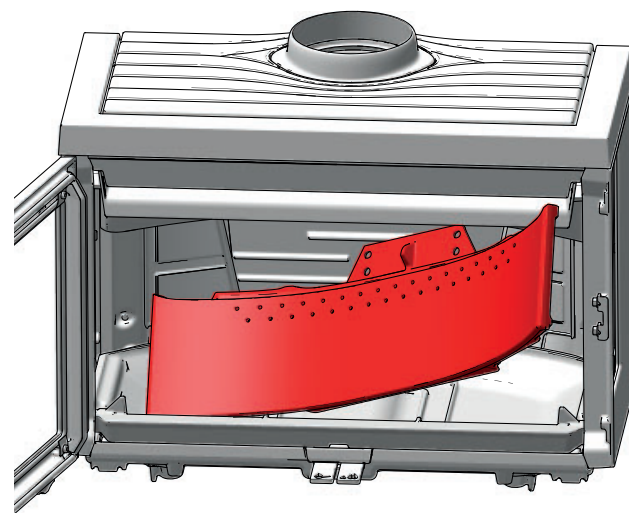
10



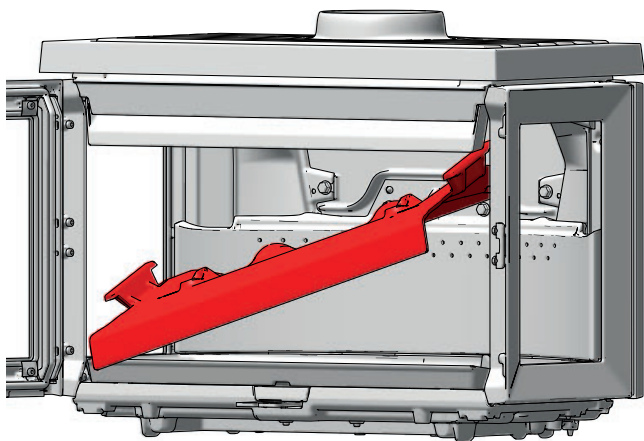
8



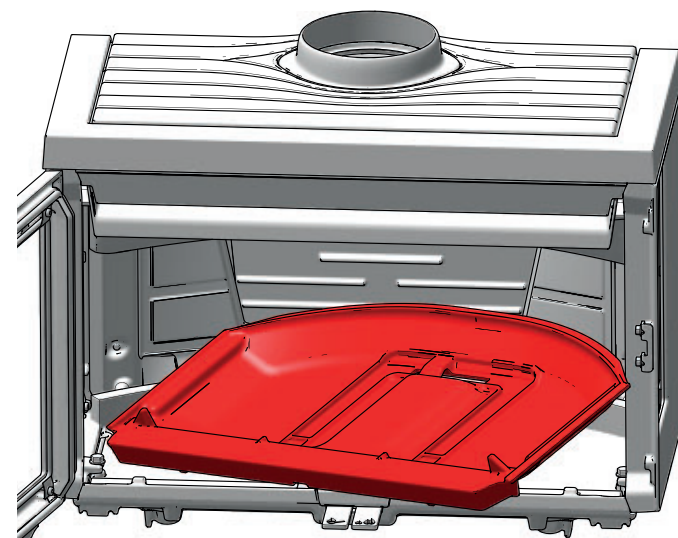
11



9



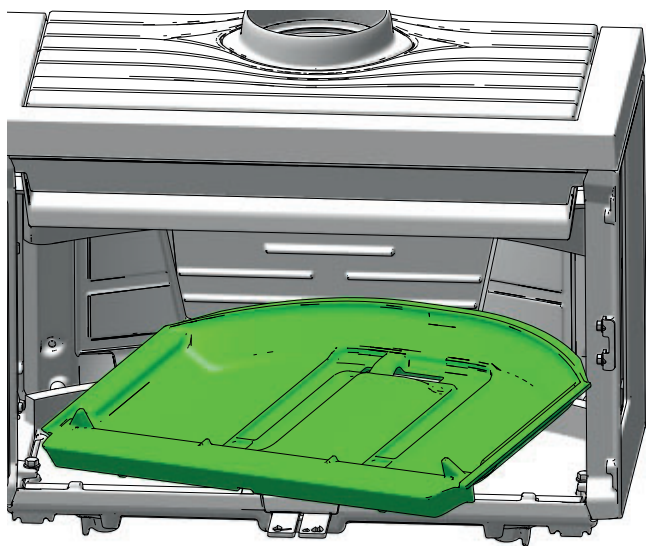
12



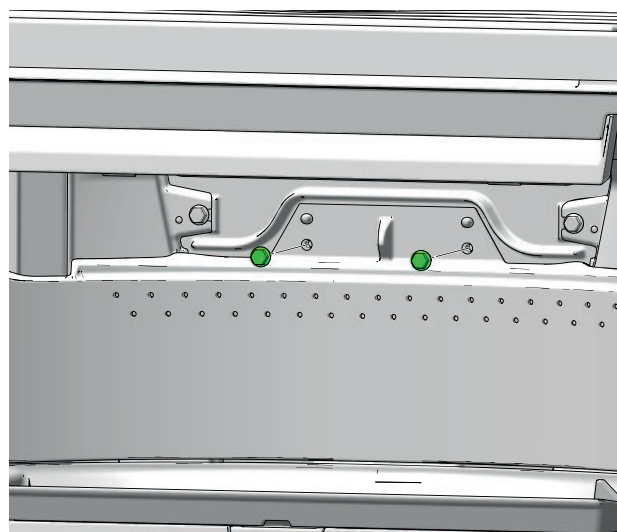


## INSTALLATION OF INTERNAL PARTS

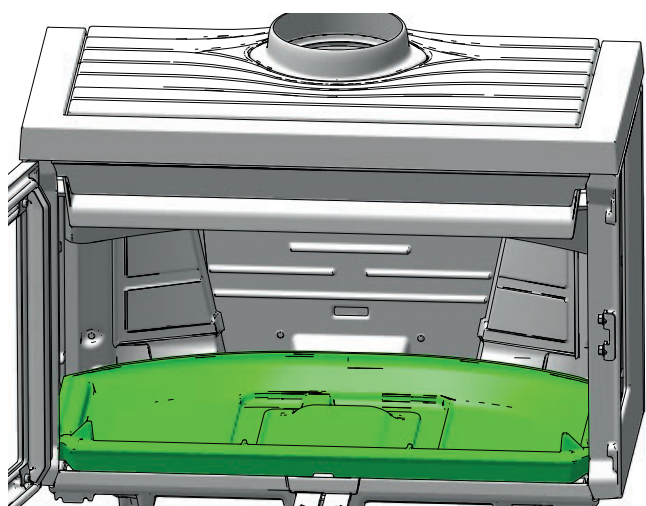
1



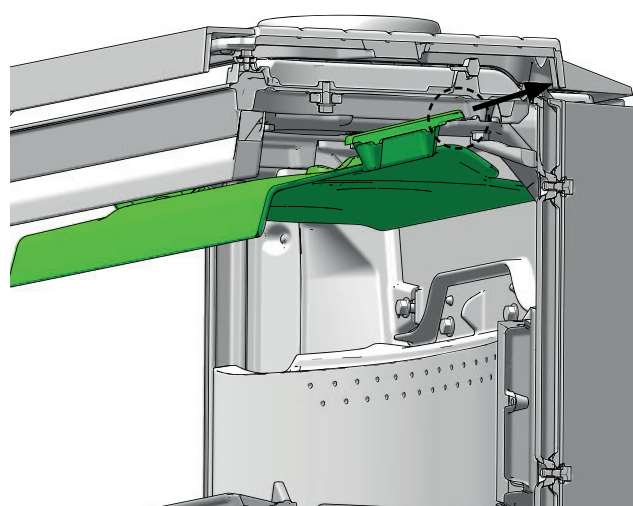
4



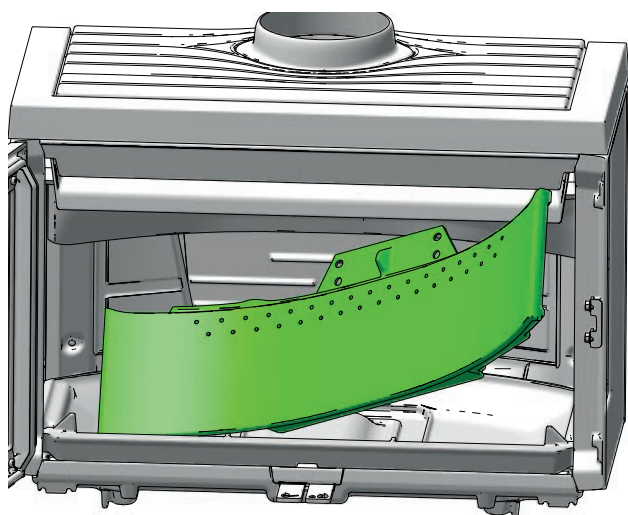
2



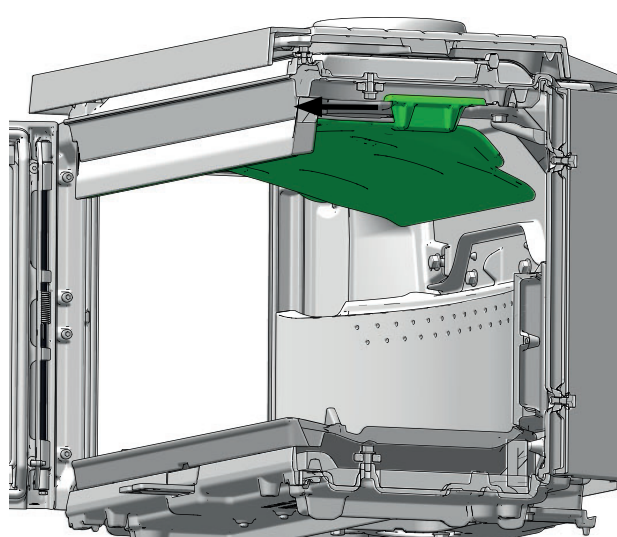
5



3



6

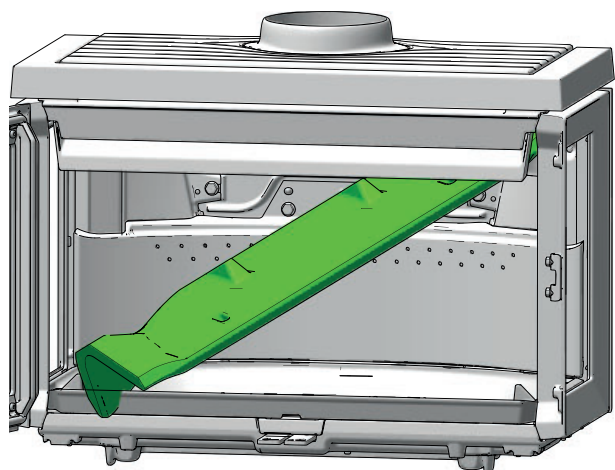




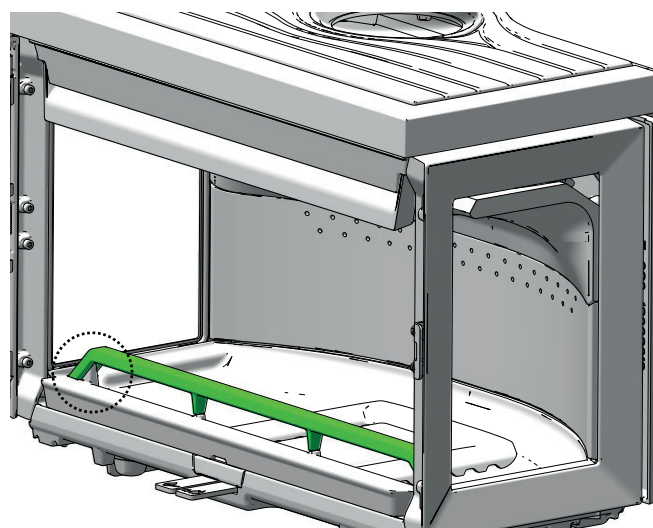


## INSTALLATION OF INTERNAL PARTS

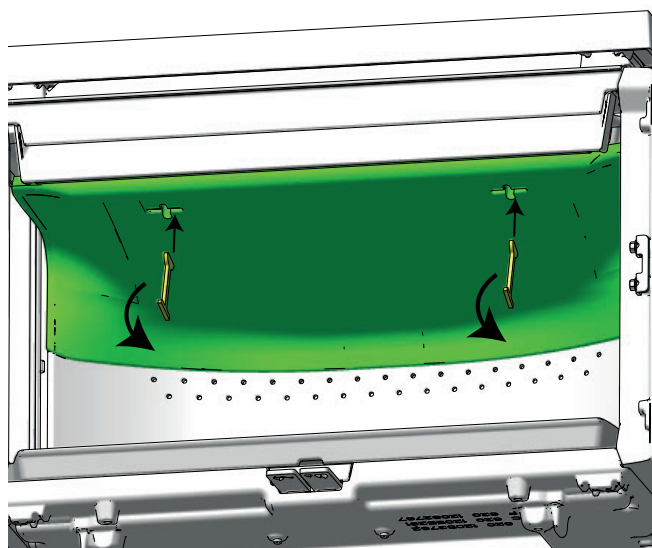
7



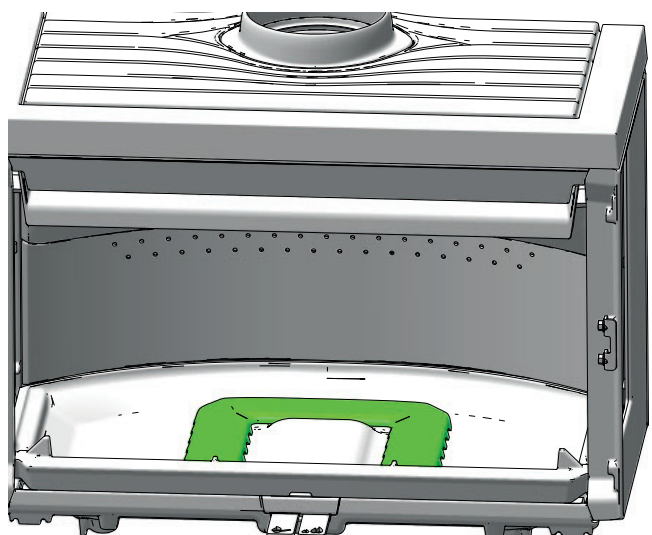
10



8



9





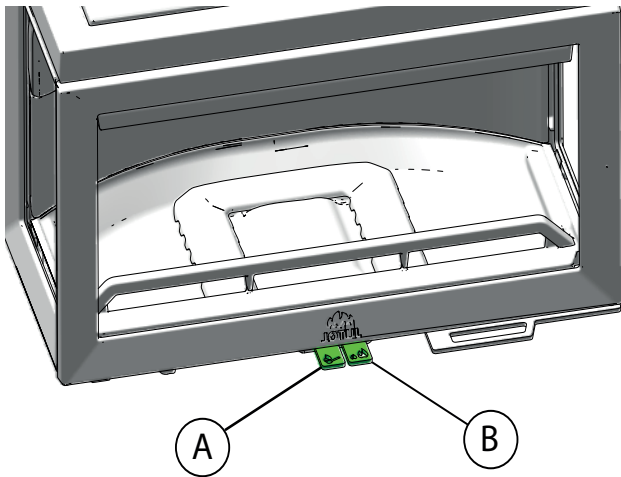
# DAILY USE

## ODOURS WHEN USING THE FIREPLACE FOR THE FIRST TIME

When the fireplace is used for the first time, it may give off a slight smell. This is because the paint on the outside is drying. You should open some windows to ensure the room is ventilated.

## ADJUSTING VENTS

Fig. 1



Pull out the ignition vent (A) (the air vent (B) follows automatically).

## “TOP DOWN” LIGHTING THE FIRE

Lighting the fire from the top down provides more environmentally friendly lighting and helps to keep the glass areas as clean as possible. The flames work their way down. Lighting from the top produces faster heating of the burn chamber, ensuring that you quickly achieve a good draught in the stovepipe and pipe, more oxygen for the flames and a higher temperature.

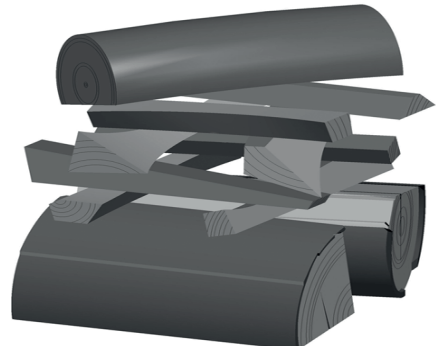
- 4 logs measuring approx. 20-25 cm in length and weighing approx. 0.5-0.6 kg each
- 15-20 kindling sticks measuring approx. 20 cm and with a combined weight of approx. 0.8-1.0 kg
- 3 firelighter sachets/cubes

Place logs, kindling sticks and firelighters/sachets in the burn chamber.

Adjust the settings for combustion air and air vent to the max. opening during the lighting phase. If the stove burns too fiercely, you can reduce the amount of combustion air (A).

**NOTE: Never add so much wood that it covers the secondary holes (This does not apply when starting from cold).**

Fig. 2



## ADDING FIREWOOD

Stoke the stove frequently but only add small amounts of fuel at a time. If the stove is filled too full, the heat created may cause extreme stress in the chimney. Add fuel to the fire in moderation. Avoid smouldering fires as this produces the most pollution. The fire is best when it is burning well and the smoke from the chimney is almost invisible.

## EXTERNAL AIR SUPPLY

### Fresh air supply

The air used for combustion in any well-insulated house needs to be replaced. This is particularly important in houses with mechanical ventilation. Such replacement air can be procured in several ways. The most important thing is to supply the air to the room where the stove is placed. Place the outside wall valve as close to the stove as possible and make sure that it can be closed when the stove is not in use.

There must be enough air supplied to the room where the stove is located to ensure there is sufficient combustion air and air for other installations. **Check that the air vents in the room where the stove is located are not blocked.**

For the fresh air supply connection, follow the national and local building regulations.

### Closed combustion system

With an external air supply, the burn chamber is supplied with cool, oxygen-rich air that will deliver more efficient combustion. Use the stove's closed combustion system if you live in recently built, airtight dwellings. Connect the external combustion air through a ventilation pipe through the wall or the floor.

### Air supply

The amount of combustion air for Jøtul's products is approximately 20-40 m<sup>3</sup>/h.

The outside air connection may be fitted directly to the Jøtul F 620 through:

- the bottom
- through a flexible supply hose from the outside/chimney (only if the chimney has its own duct for external air) and to the product's outside air connector.



Fig. 3a Through an outside wall

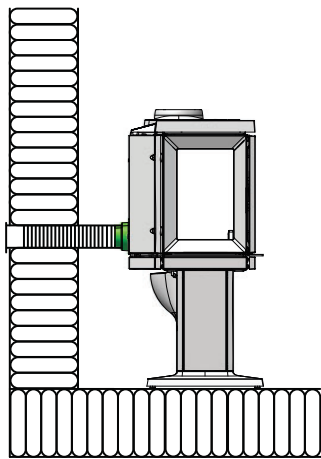


Fig. 3d Indirectly through an outside wall

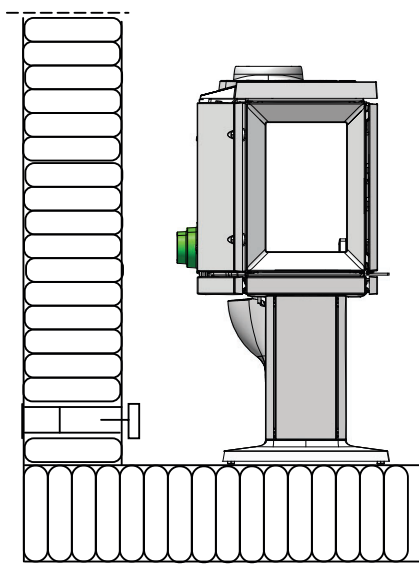


Fig. 3b Through the floor and ground

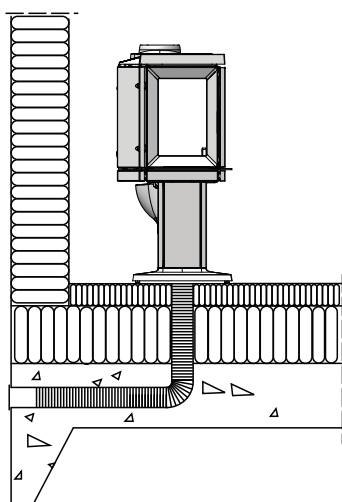
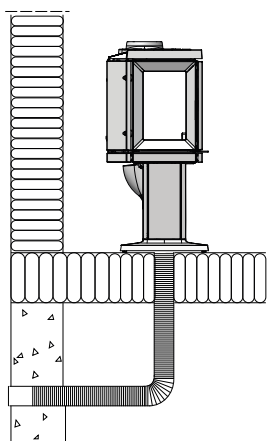


Fig. 3c Through the floor and basement



#### Heating advice

**NB:** Logs that have been stored outdoors or in a cold room should be brought indoors approx. 24 hours before use to bring them up to room temperature.

There are various ways of heating the stove, but it is always important to be careful about what you put in the stove. See the section on **“Wood quality”**.

**NB:** Burning with a poor air supply can cause insufficient combustion, reduced energy efficiency and increased emissions of particles, black carbon and other compounds that are harmful to health and the environment.

#### Wood quality

By quality wood we mean most well-known types of wood such as birch, spruce and pine.

The logs should be dried so that the moisture content is no more than 20%.

To achieve this, the logs should be cut no later than in late winter. They should be split and stacked in a way that ensures good ventilation. The wood stacks should be covered to protect the logs from rain. The logs should be brought indoors during early autumn and stacked/stored for use in the coming winter.

Be especially careful never to use the following materials as fuel in your fireplace:

- Household rubbish, plastic bags, etc.
- Painted or impregnated timber (which is extremely toxic).
- Laminated wooden planks.
- Driftwood
- These may harm the stove and are also pollutants.

Never use petrol, paraffin, methylated spirit or similar liquids to light the fire. You may cause serious injury to yourself and damage to the product.



## WOOD CONSUMPTION

---

The efficiency of the Jøtul F 620 gives it a nominal heat output of approx. 8.7 kW. Wood consumption, at nominal heat output: Approx. 2.64 kg/t. The size of the logs should be:

Recommended length:	20 - 33 cm
Diameter:	Approx. 4-7 cm
Stoking frequency:	Approx. every 48 minutes
Fire size:	2.1 kg (nominal output)
Quantity required each time:	X4

The stated test values have been achieved by adding 4 logs measuring 22 cm, with a combined weight of 2.1 kg. The logs are added crosswise. Close the door after lighting. 100% air for 2 minutes. After this, the ignition vent is adjusted down to approx. 43%. Air vent (B) is kept at 100%.

## WARNING AGAINST OVERHEATING

---

Never overstoke the fireplace!

Overheating occurs when there is too much fuel and/or too much air so that too much heat develops. A sure sign of overheating is when parts of the stove glow red. If this happens, reduce the air vent opening immediately.

Seek professional advice if you suspect that the chimney is not drawing properly (too much/too little draught). (For further information, see "4.0 Installation" (Chimney and flue pipe).)

## REMOVING ASH

---

- Only remove ash when the fireplace is cold.
- Use a scoop or similar and scrape out the ash, but always leave a little ash lying on the bottom as a protective layer.
- Ash should be placed outdoors or be emptied in a place where it will not pose a potential fire hazard.

## OPERATION UNDER DIFFERENT WEATHER CONDITIONS

---

The performance of the stove can be affected considerably by the wind acting on the chimney at different strengths. It may therefore be necessary to adjust the air supply to ensure good combustion performance. It might also be a good idea to install a damper in the flue pipe so that the chimney draught can be regulated according to the strength of the wind.

Fog and mist can have a significant impact on the chimney draught and it might be necessary to use other combustion air settings to ensure good performance.

## CONDENSATION

---

Condensation from the fireplace/flue pipe/chimney may occur. This may well be related to damp fuel or temperature differences between the fireplace and the surrounding area.

Condensation that comes from the fireplace has the appearance of a black, tar-like liquid. This should be wiped off immediately to avoid discolouration of the fireplace, floor and surrounding building components.

Rapid lighting and fresh stoking reduce the risk of condensation.

If the condensation persists, mineral sand can be used on the fireplace's bottom plate.

## THE CHIMNEY'S FUNCTION

---

The chimney is the engine of the wood stove and is crucial for its functioning. Chimney drafts create negative pressure in wood stoves. This negative pressure removes the smoke from the stove and sucks the air through the combustion air vent for the burning process.

The draught in the chimney is caused by the difference in temperatures inside and outside the chimney. The greater the temperature difference, the better the draught in the chimney. It is therefore important to allow the chimney to reach operating temperature before adjusting the damper settings to restrict combustion in the stove (a brickwork chimney takes longer to reach operating temperature than a steel chimney).

It is particularly important to reach operating temperature as quickly as possible on days on which the draught in the chimney is poor due to unfavourable wind and weather conditions. It is important to achieve some flames quickly. Chop the wood into much smaller pieces and use an extra firelighter.

If the stove has not been used for some considerable time, it is important to check the chimney pipe for blockage.

It is possible to connect several solid fuel stoves to the same chimney. However, it is important to check out the applicable rules in this areas first.

Even a good chimney can function poorly if it is used incorrectly. Correspondingly, a poor chimney can function well if it is used correctly.



# MAINTENANCE

## CLEANING THE GLASS

---

Jøtul's fireplaces are fitted with air washing of the glass. Via the air vent, air is deflected down along the inside of the glass, reducing the accumulation of soot deposits.

There will always be some soot on the glass, however, but the amount depends on the local conditions and the adjustment of the air vent. Most of the soot layer will normally be burned off when the air vent is fully opened and the fire is burning briskly.

Good advice! Normal cleaning – take a piece of kitchen paper and dampen it with warm water. Dab it on some ash from the burn chamber then rub the glass with the paper. Wipe clean with fresh water. Dry well. If the glass needs cleaning more thoroughly, use a detergent for glass (follow the manufacturer's instructions on the bottle).

## CLEANING AND REMOVING SOOT

---

Soot deposits may build up on the internal surfaces of the fireplace during use. Soot is a good insulator and will therefore reduce the fireplace's heat output. If soot deposits accumulate when using the product, they can easily be removed by using a soot remover.

In order to prevent a layer of water and tar from forming in the fireplace, you should regularly allow the fire to burn hot in order to remove the layer. Your product should be cleaned internally once a year to ensure the best heating effect. It is a good idea to do this when cleaning the chimney and flue pipes.

## SWEEPING THE FLUE PIPE TO THE CHIMNEY

---

Flue pipes must be swept through the flue pipe sweeping hatch or through the door opening. The baffle and exhaust deflector must be removed first.

## CHECKING THE FIREPLACE

---

Jøtul recommends that you carefully inspect your fireplace yourself after it has been swept/cleaned. Check all visible surfaces for cracks. Also check that all joints are sealed and that the gaskets are in the correct position. Any gaskets showing signs of wear or deformation must be replaced.

Thoroughly clean the gasket grooves, apply ceramic glue (available from your local Jøtul dealer) and press the gasket well into place. The joint will dry quickly.

## EXTERNAL MAINTENANCE

---

Painted products may change colour after they have been used for several years. The surface should be cleaned and brushed free of any loose particles before new paint is applied.

NB: Do not place anything on the stove's top plate, as this could result in permanent damage to the paintwork.

## RECYCLING PACKAGING

---

Your fireplace is delivered with the following packaging:

- A wooden pallet can be cut up and burned in the fireplace.
- Cardboard packaging should be taken to a local recycling facility.
- Plastic bags should be taken to a local recycling facility.

## RECYCLING THE FIREPLACE

---

The fireplace is made of:

- Metal should be taken to a local recycling facility.
- Glass should be disposed of as hazardous waste. The glass in the fireplace must not be placed in a regular source segregation container.
- Burn plates made of vermiculite can be sorted as normal construction waste.



# OPERATIONAL PROBLEMS - TROUBLESHOOTING

## **POOR DRAUGHT**

---

Check that the length of the chimney complies with national legislation and regulatory requirements. (For further information, see section “2.0 Technical Data” and “4.0 Installation” (Chimney and flue pipe).)

Check that the minimum cross-section of the chimney is in accordance with the specification in “Technical Data” in the Installation Manual.

Make sure that there is nothing preventing the smoke from escaping: branches, trees, etc.

Seek professional advice and help if you suspect that the chimney is not drawing properly (too much/too little draught).

## **THE FIRE DIES OUT AFTER A WHILE**

---

- Make sure that the fuel is dry enough.
- Check whether there is negative pressure in the house. Turn off fans and open a window close to the stove.
- Make sure the air vent is open.
- Make sure the smoke outlet is not clogged with soot.

## **IF THERE IS EXCESSIVE SOOT ON THE GLASS**

---

There will always be some soot on the glass, but the amount depends on:

- How dry the fuel is.
- The local draught conditions.
- Adjustment of the air vent.

Most of the soot layer will normally be burned off when the air vent is fully opened and the fire is burning briskly

## OPTIONAL EXTRAS

### **JØTUL F 620 CAST IRON SIDE LEFT BP**

51063409

### **JØTUL F 620 CAST IRON SIDE RIGHT BP**

51063410

### **JØTUL F 620 CONVECTION KIT SIDE FR/ FL (SAME NO. BOTH SIDES)**

50063453

### **JØTUL F 620 CONVECTION KIT REAR**

50063035

### **COVER OUTSIDE AIR F 620 (JUST FOR BASE AND HIGH TOP)**

50064353

### **ASH LIP F 620 (JUST FOR PEDESTAL)**

51063919

### **HEAT STORAGE SYSTEM (JUST FOR HIGH TOP)**

10026701

### **DOOR LOCK, COMPLETE, LEFT**

For right-hinged door

50045754



# WARRANTY TERMS

## OUR WARRANTY COVERS:

---

Jøtul AS guarantees that the external cast iron parts are free from material defects or production faults at the time of purchase. The warranty is valid for 5 years from the date of delivery. You can extend the warranty for external cast-iron parts to 25 years from the date of delivery by registering the product on [jotul.com](http://jotul.com), and by printing the extended warranty card, within three months of the purchase. We recommend that you store the warranty card together with your receipt. Jøtul AS also guarantees that steel components are free from material defects or production faults at the time of purchase, for a period of 5 years from the delivery date.

The warranty applies on condition that the stove has been installed by a qualified fitter in accordance with the applicable laws and regulations, and that Jøtul's installation and operating instructions are followed. Repaired products or replacement elements are guaranteed within the original warranty period.

## THE WARRANTY DOES NOT COVER:

---

- Damage to consumables such as burn plates, inner bottoms, smoke baffles, gaskets, etc., which are damaged over time by normal wear and tear.
- Damage resulting from inadequate maintenance, overheating, the use of unsuitable fuel (examples of unsuitable fuel include, but are not limited to, driftwood, impregnated wood, plank offcuts, chipboard) or wood that is too damp/wet.
- The installation of optional extras with the aim of rectifying local draught conditions, air supply or other circumstances beyond Jøtul's control.
- Alterations/modifications to the fireplace without Jøtul's consent or the use of non-original parts.
- Damage caused during storage at a distributor, transport from a distributor or during installation.
- Products that are sold by unauthorised dealers in areas where Jøtul operates with a selective distribution system.
- Associated costs (examples include, but are not limited to, transport, labour, travel) or indirect damage.

For pellet ovens, glass, stone, concrete, enamel and paint (examples include, but are not limited to, chipping, cracks, bubbles or discolouration and crazing), the right to make a complaint applies. This warranty is valid for purchases made within the European Economic Area (EEA). All warranty claims must be submitted to the authorised Jøtul dealer within a reasonable amount of time, and no later than 14 days from the time when the fault or deficiency was first discovered. See the list of importers and dealers on our website: [www.jotul.com/no/forhandlere/finn-forhandler](http://www.jotul.com/no/forhandlere/finn-forhandler).

If Jøtul is not in a position to fulfil the obligations outlined in the above warranty terms, Jøtul will offer a replacement product with a similar heating capacity free of charge.

Jøtul reserves the right to reject the replacement of parts or services if the warranty has not been registered online. The warranty does not affect any rights in relation to the applicable right to make a complaint. The warranty applies from the date of purchase, and only against a receipt/serial number.



Jøtul continuously strives to improve its products and reserves the right to modify specifications, colours and fittings without prior notice.

---

### **Quality**

Our quality policy should provide our customers with the security and quality experience that Jøtul has stood for ever since the business was founded in 1853.